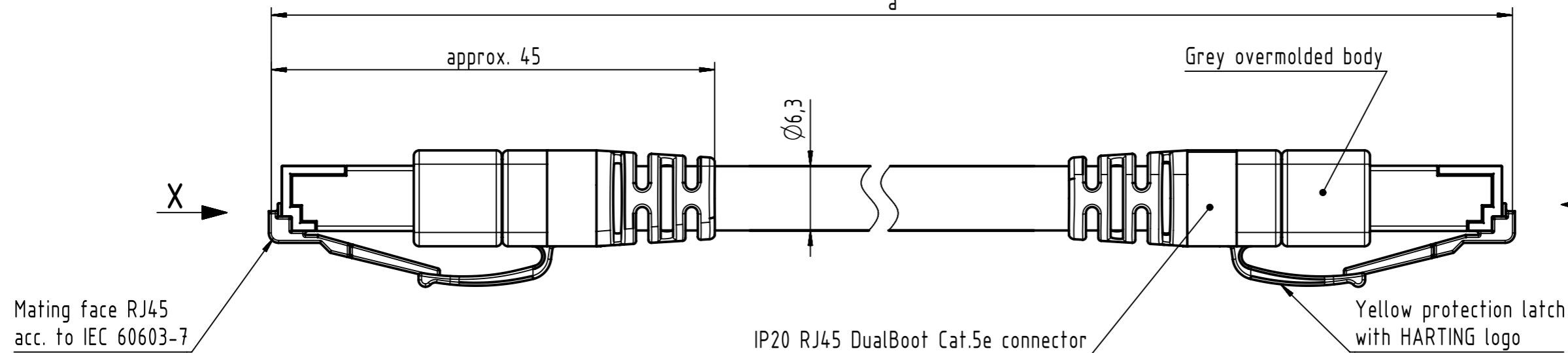


Connector Location A

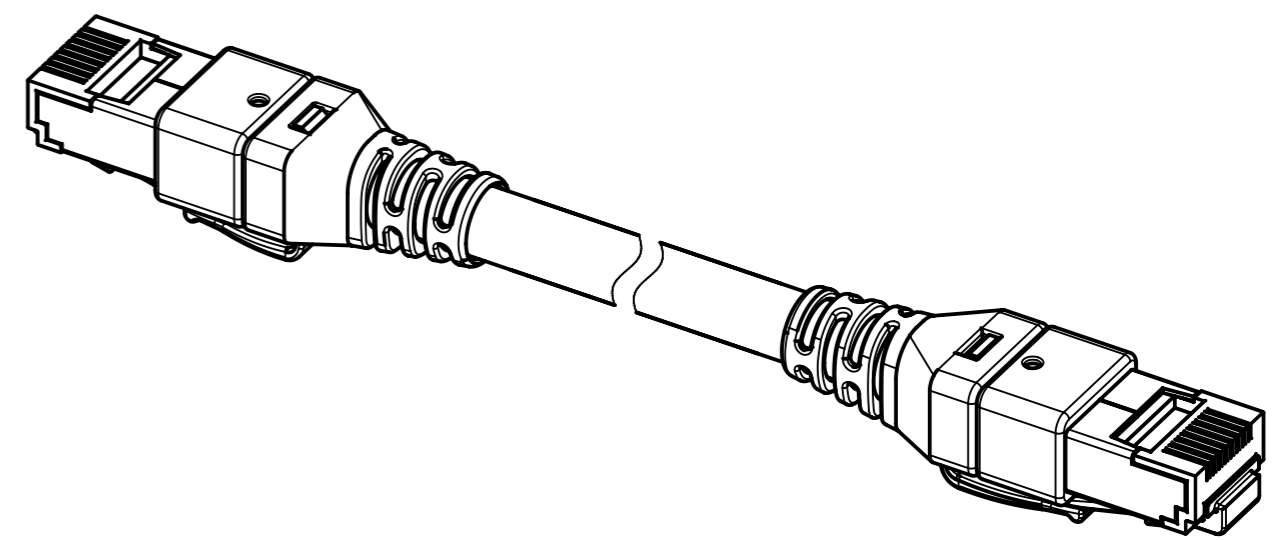
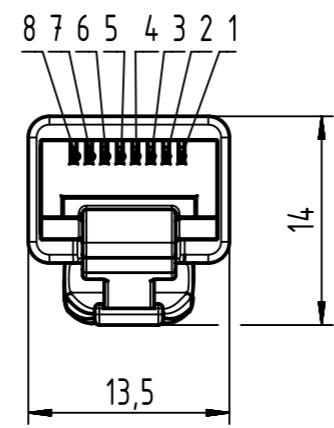
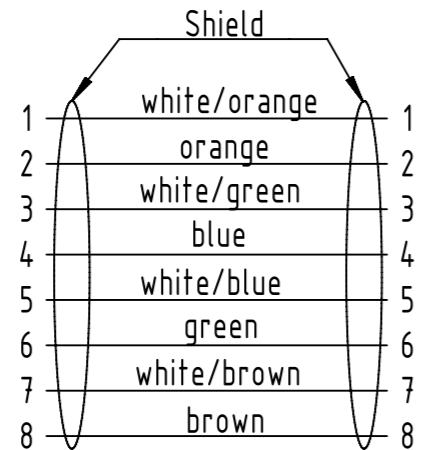
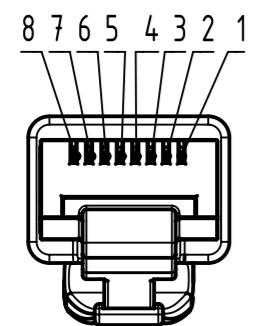
Connector Location B



**X**  
male

Loading-Plan  
acc. to TIA/EIA 568B

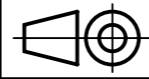
**Y**  
male



**NOTE:**  
 For lengths < 1.0m:  
 - relative positioning of the connectors to each other will be as presented in the drawing, however with an admissible angular deviation around cable axis of  $\pm 30^\circ$   
 For lengths  $\geq 1.0m$ :  
 -relative positioning of the connectors to each other not obligatory

Temperature range:  
 - Fixed installation:  $-30^\circ\text{C} \dots +75^\circ\text{C}$   
 - Dynamic installation:  $-5^\circ\text{C} \dots +50^\circ\text{C}$

	All rights reserved Department HCS - RO	Created by BANCIUD Banciu	Inspected by COSTEA Costea	Standardisation MUNTEANV Muntean	Date 2018-11-12	State Final Release
	HARTING Customised Solutions D-32339 Espelkamp	Title RJ45 DualBoot cable assembly Cat.5e PUR			Doc-Key / ECM-Nr. 100170398/UGD/016/L 500000143238	
		Type TB	Number 094747470XX		Rev. L	Page 1/2

1	2	3	4	5	6	7	8	
A								
	41	09474747040	4x2xAWG 26/7 SF/UTP Cat.5e PUR	60	±1%			
	40	09474747029		50				
	39	09474747036		48				
	38	09474747028		40				
	37	09474747026		35				
	36	09474747027		30				
	35	09474747025		25				
B	34	09474747023		20				
	33	09474747034		18				
	32	09474747033		17				
	31	09474747032		16				
	30	09474747022		15				
	29	09474747031		14				
	28	09474747035		12				
	27	09474747030		11				
C	26	09474747021		10				
	25	09474747020		9				
	24	09474747019		8				
	23	09474747018		7.5				
	22	09474747017		7				
	21	09474747016		6				
	20	09474747015		5				
	19	09474747041	4.3					
	18	09474747014	4					
D	17	09474747024	3.5					
	16	09474747013	3					
	15	09474747012	2.5					
	14	09474747011	2					
	13	09474747037	1.8					
	12	09474747010	1.5					
	11	09474747038	1.2					
	10	09474747009	1					
E	9	09474747008	0.9					
	8	09474747007	0.8					
	7	09474747006	0.7					
	6	09474747005	0.6					
	5	09474747004	0.5					
	4	09474747003	0.4					
	3	09474747002	0.3					
	2	09474747001	0.2					
	1	09474747039	0.16					
F								
	Cont. no.	Part no.	Type of cable	Dim. a[m]	 All Dimensions in mm Tech. Character. Free size tol. According to production drawing			
					All rights reserved Department HCS - RO Created by BANIUD Banciu Inspected by COSTEA Costea Standardisation MUNTEANV Muntean Date 2018-11-12 State Final Release			
					Title RJ45 DualBoot cable assembly Cat.5e PUR Doc-Key / ECM-Nr. 100170398/UGD/016/L 500000143238			
					Type TB	Number 094747470XX	Rev. L	Page 2/2
					HARTING Customised Solutions D-32339 Espelkamp			

# Mouser Electronics

Authorized Distributor

Click to View Pricing, Inventory, Delivery & Lifecycle Information:

## HARTING:

[09474747004](#) [09474747009](#) [09474747011](#) [09474747001](#) [09474747002](#) [09474747003](#) [09474747005](#)  
[09474747006](#) [09474747007](#) [09474747008](#) [09474747010](#) [09474747012](#) [09474747013](#) [09474747014](#) [09474747015](#)  
[09474747016](#) [09474747017](#) [09474747018](#) [09474747019](#) [09474747020](#) [09474747021](#) [09474747022](#)  
[09474747023](#) [09474747025](#) [09474747027](#) [09474747029](#) [09474747026](#) [09474747028](#) [09474747033](#) [09474747024](#)