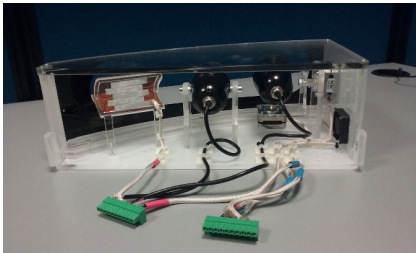


## Loads for Adaptive Front Lighting (AFL) system with LED lights, motors and cooling fan



### Features

- Vehicle headlight simulation equipment for adaptive front light (AFL) adjustment system:
  - two stepper motors for horizontal and vertical displacement
  - four LEDs for high beam, low beam, daytime running light (DRL) and turn indicator light
  - cooling fan
- Allows simulation and testing of complete car headlight assemblies and AFL applications
- Cables and connectors included
- Compatible with [AEKD-AFLPANEL1](#) with all the required electronics to drive the system
- Assembled size: 400 x 200 x 140 mm (approx.)
- WEEE and RoHS compliant
- Part of the AutoDevKit initiative



### Description

The [AEKD-AFLLIGHT1](#) is a car headlight assembly able to accommodate adaptive front light (AFL) adjustment systems for simulation and development purposes. It consists of a plexiglass housing and two stepper motors for light projection angle adjustment in the x and y directions, a high beam lamp, a low beam lamp that can be directionally adjusted by the stepper motors, a LED string simulating the DRL and another LED string simulating a turn indicator, as well as a small cooling fan.

All the loads are wired to two connectors that can be directly plugged onto matching connectors on the [AEKD-AFLPANEL1](#) companion ECU panel with all the necessary boards and drivers to control the system, allowing rapid prototyping and significantly shorter time to achieve application proof of concept and trial phases.

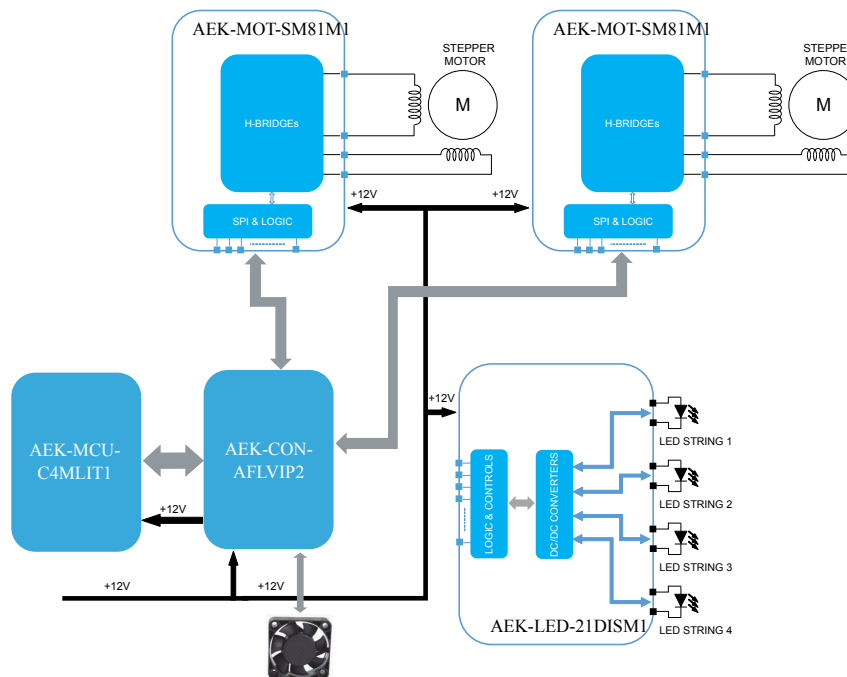
Product summary	
Adaptive front lighting motor, light and fan loads for AutoDevKit	<a href="#">AEKD-AFLLIGHT1</a>
AutoDevKit adaptive front lighting kit	<a href="#">AEK-AFL001</a>
AutoDevKit adaptive front lighting kit firmware	<a href="#">STSW-AFL001</a>
Applications	Adaptive front lighting systems for vehicles Car chassis lighting

# 1 Adaptive front lighting simulation tool overview

The **AEKD-AFLLIGHT1** kit includes all the loads indicated in the block diagram below inside a specially designed acrylic shroud with appropriate cabling and connectors.

**Figure 1. AutoDevKit adaptive front lighting system block diagram**

- AEKD-AFLLIGHT1 loads:
- two stepper motors: one for up-down and one for lateral angular displacement of a light
- four LED lighting strings: high beam, low beam, DRL, direction light
- a cooling fan

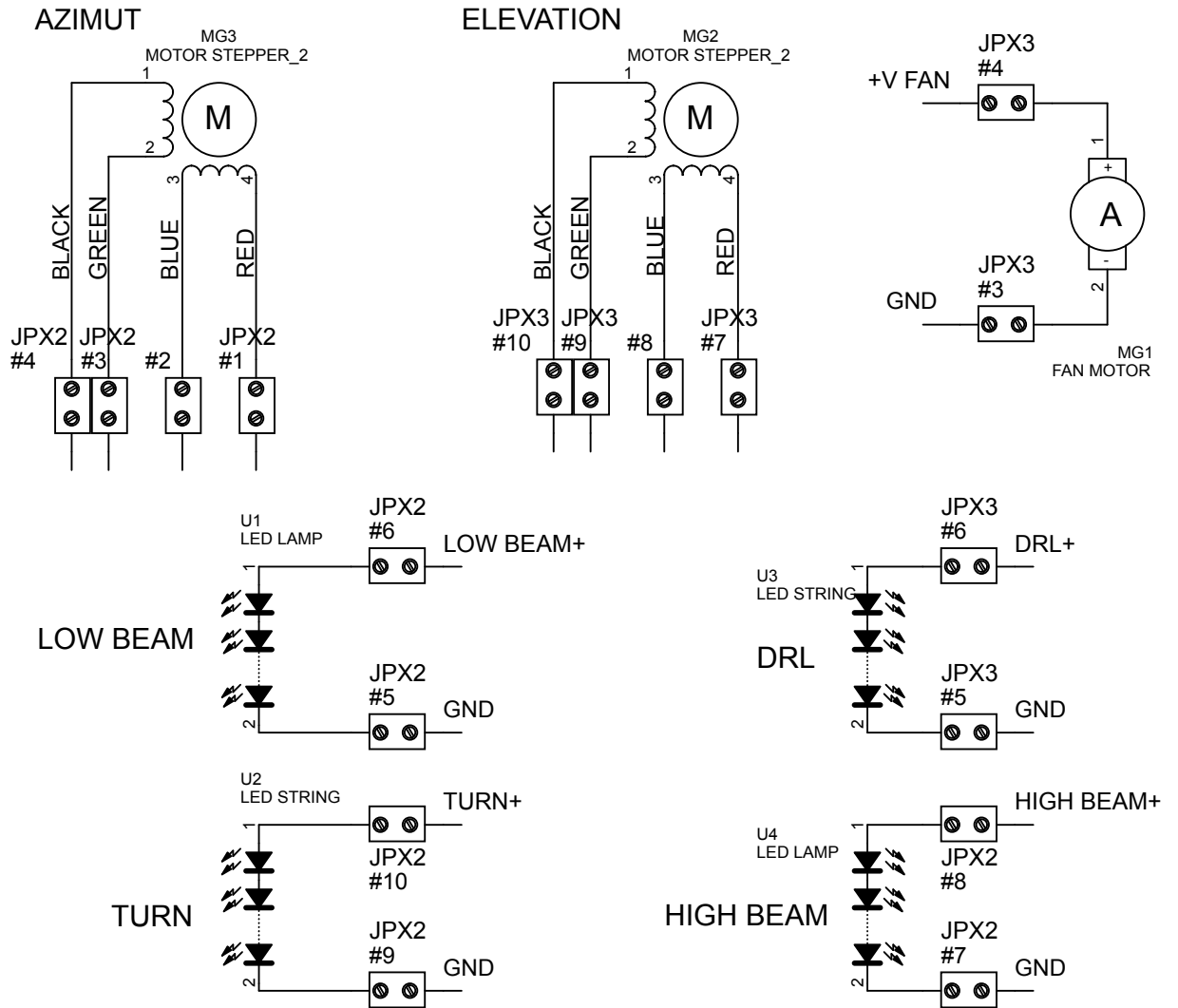


## RELATED LINKS

[AutoDevKit: Adaptive Front Lighting demonstration kit video on YouTube](#)

## 2 Schematic diagrams

Figure 2. AEKD-AFLIGHT1 schematic diagram



## Revision history

**Table 1. Document revision history**

Date	Version	Changes
23-Aug-2019	1	Initial release.

**IMPORTANT NOTICE – PLEASE READ CAREFULLY**

STMicroelectronics NV and its subsidiaries (“ST”) reserve the right to make changes, corrections, enhancements, modifications, and improvements to ST products and/or to this document at any time without notice. Purchasers should obtain the latest relevant information on ST products before placing orders. ST products are sold pursuant to ST’s terms and conditions of sale in place at the time of order acknowledgement.

Purchasers are solely responsible for the choice, selection, and use of ST products and ST assumes no liability for application assistance or the design of Purchasers’ products.

No license, express or implied, to any intellectual property right is granted by ST herein.

Resale of ST products with provisions different from the information set forth herein shall void any warranty granted by ST for such product.

ST and the ST logo are trademarks of ST. For additional information about ST trademarks, please refer to [www.st.com/trademarks](http://www.st.com/trademarks). All other product or service names are the property of their respective owners.

Information in this document supersedes and replaces information previously supplied in any prior versions of this document.

© 2019 STMicroelectronics – All rights reserved

# Mouser Electronics

Authorized Distributor

Click to View Pricing, Inventory, Delivery & Lifecycle Information:

[STMicroelectronics:](#)

[AEKD-AFLLIGHT1](#)