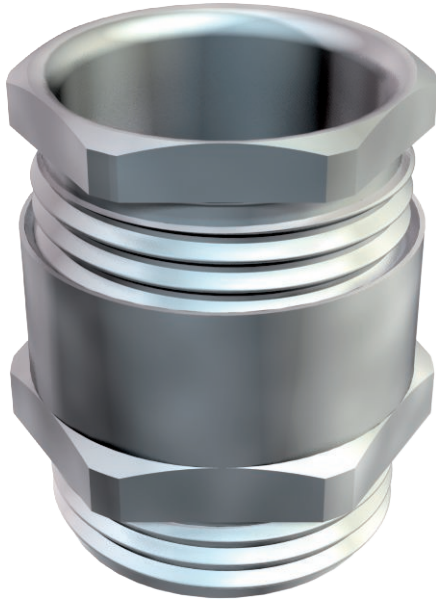


Technical data sheet

Cone cable gland, PG thread, cutting ring, nickel-plated

Item no. 2082578



Cable gland with hexagonal intermediate connector, shape C4, to DIN 46320 with Pg connection thread to DIN 40430.
Pressure rings made of electrogalvanised and transparently passivated steel.
NR/SBR sealing ring.
Protection rating: with connection thread sealing ring IP 65, without connection thread sealing ring IP 54.
With cutting ring.
* Prices according to DEL notation.



| | |
|------|---------------|
| CuZn | Brass |
| N | Nickel-plated |

Master data

| | |
|--------------------------|-------------------|
| Item no. | 2082578 |
| Type | 162 MS PG21 |
| Description 1 | Cable gland |
| Description 2 | with cutting ring |
| Dimension | PG21 |
| Material | Brass |
| Material symbol | CuZn |
| Surface | Nickel-plated |
| Surface symbol | N |
| Smallest sales unit (VG) | 25,00 Piece |
| Weight | 5,24 kg/100 pc. |

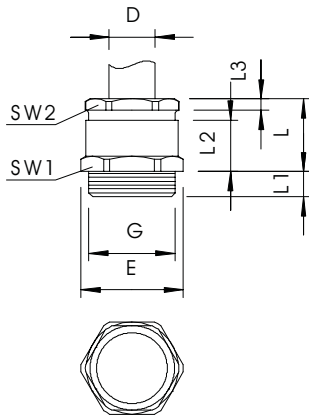
Technical data sheet

Cone cable gland, PG thread, cutting ring, nickel-plated

Item no. 2082578



Technical data



| | |
|--------------------------------|--------------------------|
| Dimension E | 33,50 mm |
| Dimension L | 22,00 mm |
| Dimension L max. | 22,00 mm |
| Dimension L1 | 7,00 mm |
| Dimension L2 | 15,00 mm |
| Dimension L3 | 3,50 mm |
| SW 1 | 30,00 mm |
| SW 2 | 28,00 mm |
| Type of seal | Cutttable sealing ring |
| Bend protection | <input type="checkbox"/> |
| Sealing range D | 10,00 - 20,50 mm |
| explosion-proof | <input type="checkbox"/> |
| Flat cable threaded connection | <input type="checkbox"/> |
| For Ex zone | Without |
| Thread | Pg 21 |
| Thread type | PG |
| Fibre-glass reinforced | <input type="checkbox"/> |
| Halogen-free | <input type="checkbox"/> |
| Multiple sealing insert | <input type="checkbox"/> |
| With locknut | <input type="checkbox"/> |
| Impact-resistant | <input type="checkbox"/> |
| Protection rating | IP65 |
| Strain relief option | <input type="checkbox"/> |