

ASSEMBLY P/N	NO. OF CONTACT
SF8982-9SG-5XX	(9) #26
SF8982-10SG-5XX	(10) #26
SF8982-11SG-5XX	(11) #26
SF8982-12SG-5XX	(12) #26
SF8982-13SG-5XX	(13) #26
SF8982-14SG-5XX	(14) #26
SF8982-15SG-5XX	(15) #26
SF8982-16SG-5XX	(16) #26
SF8982-17SG-5XX	(17) #26
SF8982-18SG-5XX	(18) #26

NOTES:

1. FINISHED ASSEMBLIES AND LOOSE PARTS BAGGED WITH AN INSTRUCTION SHEET
2. LABEL WITH CONXALL PART NUMBER, DATE CODE AND P/N BARCODE PLACED ON BAG
3. SEE DRAWING HPSFMISTD FOR HOLE PATTERNS
4. FOR FIELD INSTALLATION, SEE INSTRUCTION SHEET 2 OF 2.
5. ALL DIMENSIONS ARE REFERENCE EXCEPT THOSE WITH A TOLERANCE
6. DIMENSIONS IN BRACKETS [] ARE IN MILLIMETERS

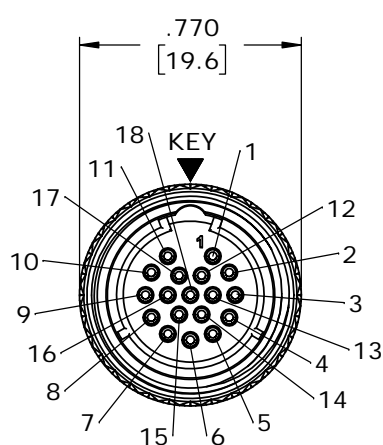
CUSTOMER APPROVAL

THIS DOCUMENT CONTAINS CONFIDENTIAL INFORMATION PROPRIETARY TO CONXALL CORPORATION. ANY REPRODUCTION, DISCLOSURE, OR USE OF THIS DOCUMENT /INFORMATION IS EXPRESSLY PROHIBITED UNLESS AUTHORIZED IN WRITING BY CONXALL CORPORATION.

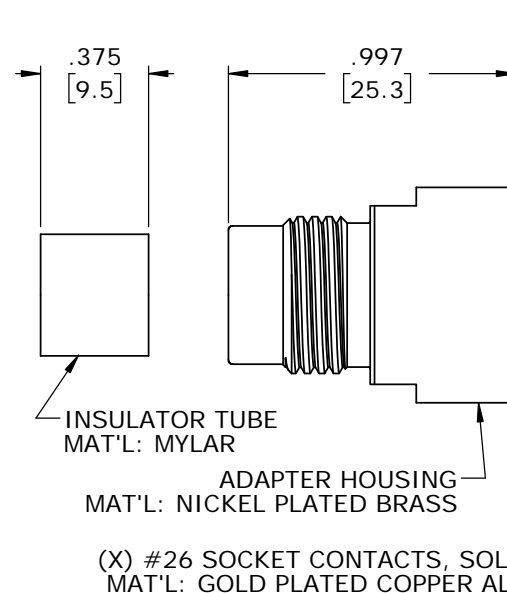
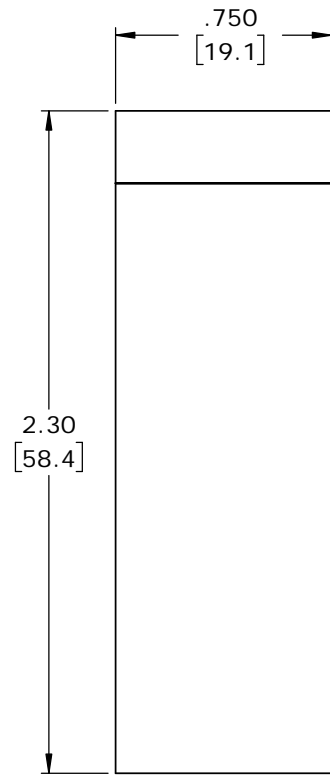
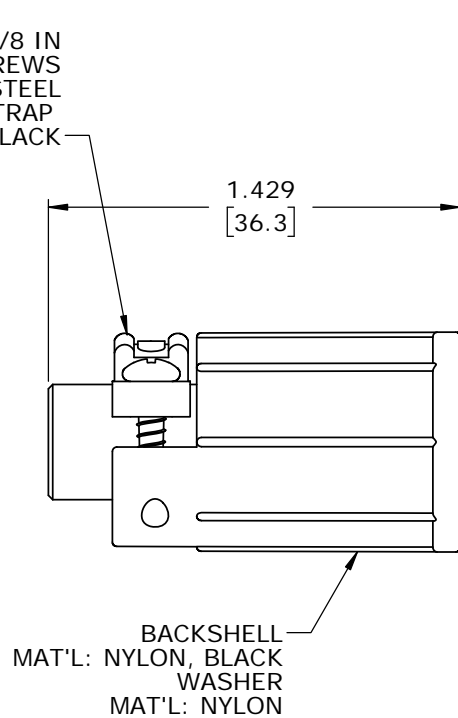
APPROVED BY: _____

DATE: _____

(2) #4x3/8 IN
SELF TAPPING SCREWS
MAT'L: STAINLESS STEEL
CABLE STRAP
MAT'L: NYLON, BLACK

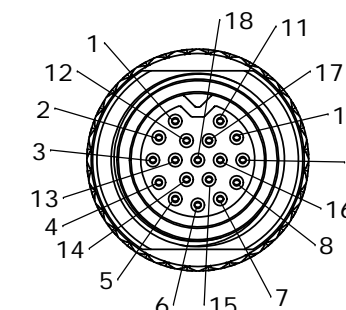
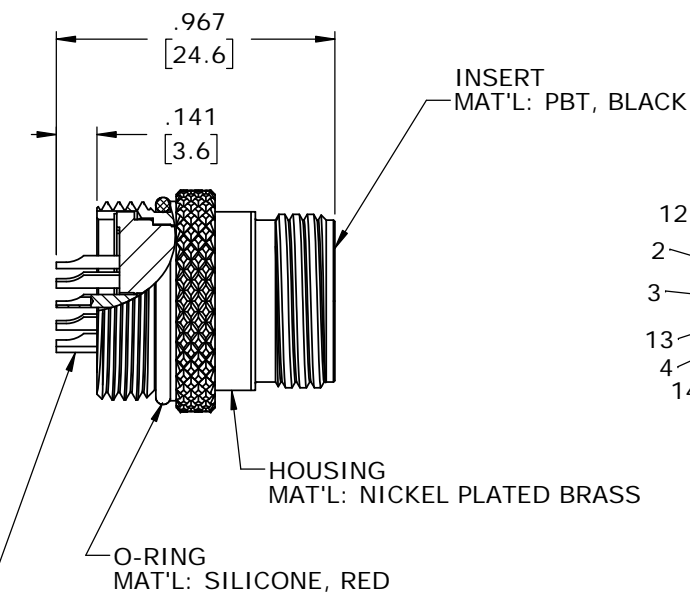


WIRE VIEW
SF8982-18SG-5XX SHOWN
WITHOUT HARDWARE

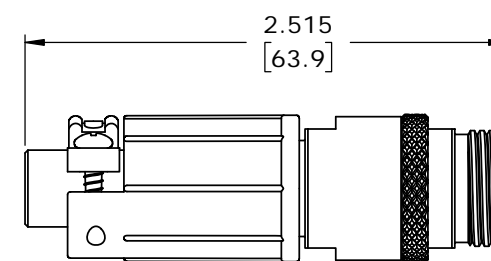


COPPER TAPE

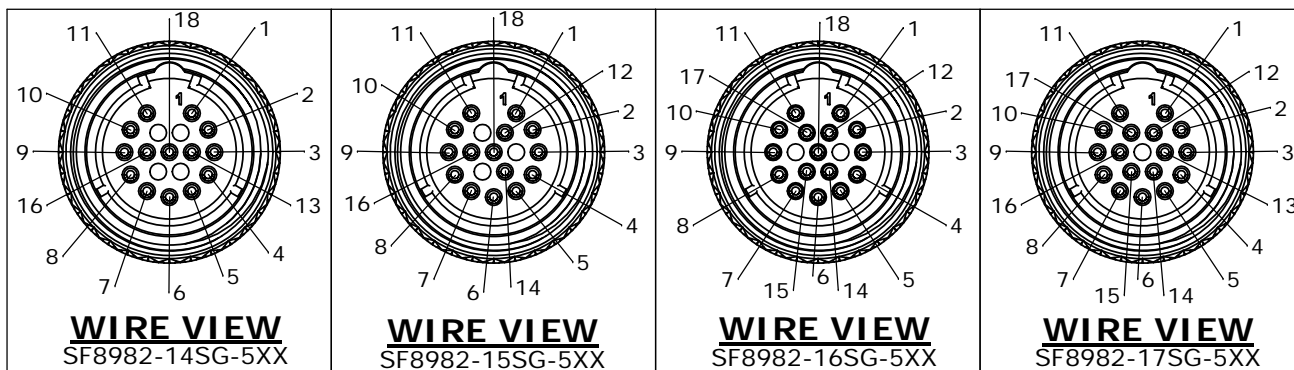
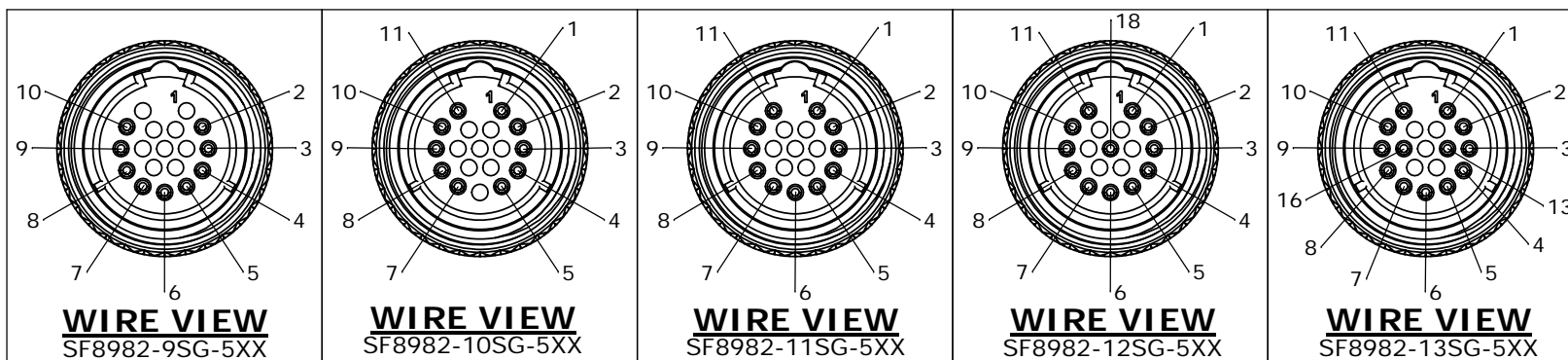
520 = BACKSHELL WITH Ø.220 [5.6] GROMMET I.D.
530 = BACKSHELL WITH Ø.330 [8.4] GROMMET I.D.



FACE VIEW
SF8982-18SG-5XX
SHOWN



ASSEMBLED VIEW
FOR CUSTOMER REFERENCE

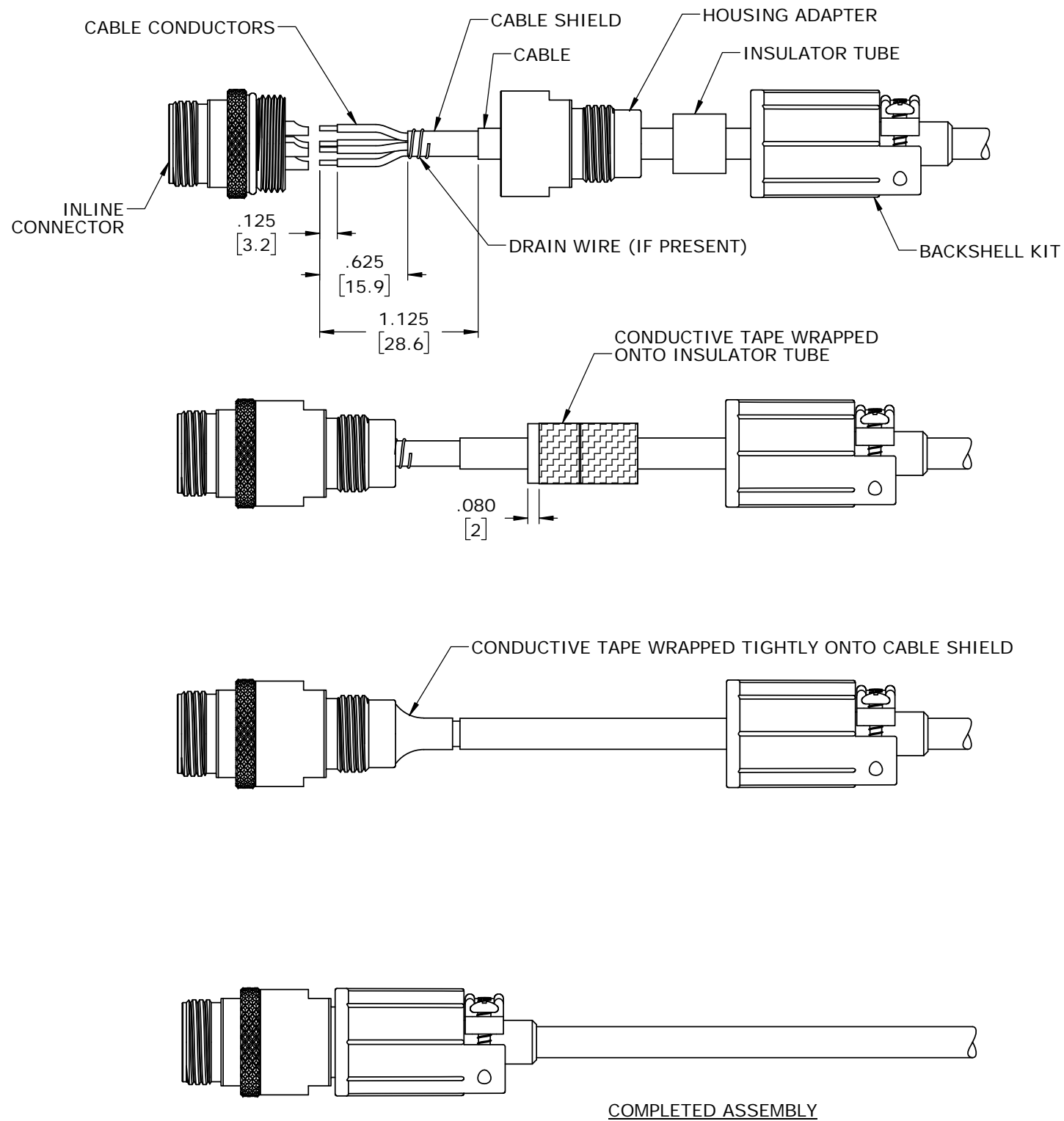


A	MA	02-01-19	RELEASED PER PDR 17011
	PNK	9-28-18	RES-79 CHANGED TO RES-78. O-RING 4290S REPLACES SF6290S-1.
	PNK	1-30-18	DRAWING CREATED PER PDR 17011
REV.	INIT.	DATE	DESCRIPTION
ALL INFORMATION ILLUSTRATED IS THE PROPERTY OF "CONXALL CORPORATION". UNAUTHORIZED DUPLICATION OR DISTRIBUTION OF THIS DOCUMENT IS PROHIBITED.			
ORIG. DRAWN BY: PNK		DATE: 1-30-18	<p>601 E. WILDWOOD VILLA PARK, IL 60181</p>
CHECKED BY:			
APPROVED BY:		TITLE: CABLE-TO-CABLE ASSEMBLY (9-18) #26 SOCKET CONTACTS, SOLDER SHIELDED MINI-CON-X STANDARD PRODUCT	
SCALE: NTS	SIZE: B	SHEET: 1 OF 2	CUSTOMER: SF8982-XSG-5XX
FILE: SF8982-XSG-5XX	DIRECTORY: SLW	PART NUMBER: SF8982-XSG-5XX	REV: A

RoHS COMPLIANT

CUSTOMER PRINT

PART NUMBER: SF8982-XSG-5XX



CABLE WIRING AND ASSEMBLY INSTRUCTIONS:

STEP 1. SLIDE HOUSING ADAPTER, INSULATOR TUBE, AND BACKSHELL KIT, ONTO CABLE IN THE ORDER SHOWN.

STEP 2. STRIP CABLE JACKET AND WIRES TO LENGTH. EXCESS CABLE SHIELD MUST BE TRIMMED OR WRAPPED AROUND WIRES. IF PRESENT, USE THE DRAIN WIRE TO WRAP THE CABLE SHIELD IN PLACE.

STEP 3. SOLDER WIRES TO CONTACTS.


STEP 4. THREAD HOUSING ADAPTER ONTO CONNECTOR AND TIGHTEN TO 5 LB-IN [0.56 N-m] MINIMUM TORQUE.

STEP 5. PEEL-OFF THE BACKING OF THE CONDUCTIVE TAPE AND WRAP IT AROUND THE INSULATOR AS SHOWN.

STEP 6. SLIDE INSULATOR/CONDUCTIVE TAPE INTO THE BACK OF THE CONNECTOR. FORM FREE END OF CONDUCTIVE TAPE TIGHTLY ONTO THE SHIELD OF THE CABLE.

STEP 7. SLIDE AND THREAD THE BACKSHELL KIT ONTO CONNECTOR. TIGHTEN TO 5 LB-IN [0.56 N-m] MINIMUM TORQUE.

STEP 8. TIGHTEN THE TWO BACKSHELL SCREWS TO SECURE THE CABLE IN THE BACKSHELL.

MA	04-03-19	RELEASED PER PDR 17011	
A	PNK	9-28-18	RES-79 CHANGED TO RES-78. O-RING 4290S REPLACES SF6290S-1.
	PNK	1-30-18	DRAWING CREATED PER PDR 17011
REV.	INIT.	DATE	DESCRIPTION
ALL INFORMATION ILLUSTRATED IS THE PROPERTY OF CONXALL CORPORATION. UNAUTHORIZED DUPLICATION OR DISTRIBUTION OF THIS DOCUMENT IS PROHIBITED.		ORIG. DRAWN BY: PNK	DATE: 1-30-18
ALL UNITS ARE IN FEET, INCHES, FRACTION OF INCHES AND DECIMALS.		CHECKED BY:	 601 E. WILDWOOD VILLA PARK, IL 60181
UNLESS OTHERWISE SPECIFIED TOLERANCES: 3 PLACE DECIMALS ± .005 ANGLES ± 1° FRACTIONS ± 1/16		APPROVED BY:	
SCALE	SIZE	SHEET	CUSTOMER: STANDARD PRODUCT
NTS	B	2 OF 2	
FILE:	DIRECTORY:	PART NUMBER:	REV
FILE NAME	SLW	SF8982-XSG-5XX	A

Mouser Electronics

Authorized Distributor

Click to View Pricing, Inventory, Delivery & Lifecycle Information:

[Switchcraft:](#)

[SF8982-18SG-530](#)