

CUSTOMER PRINT

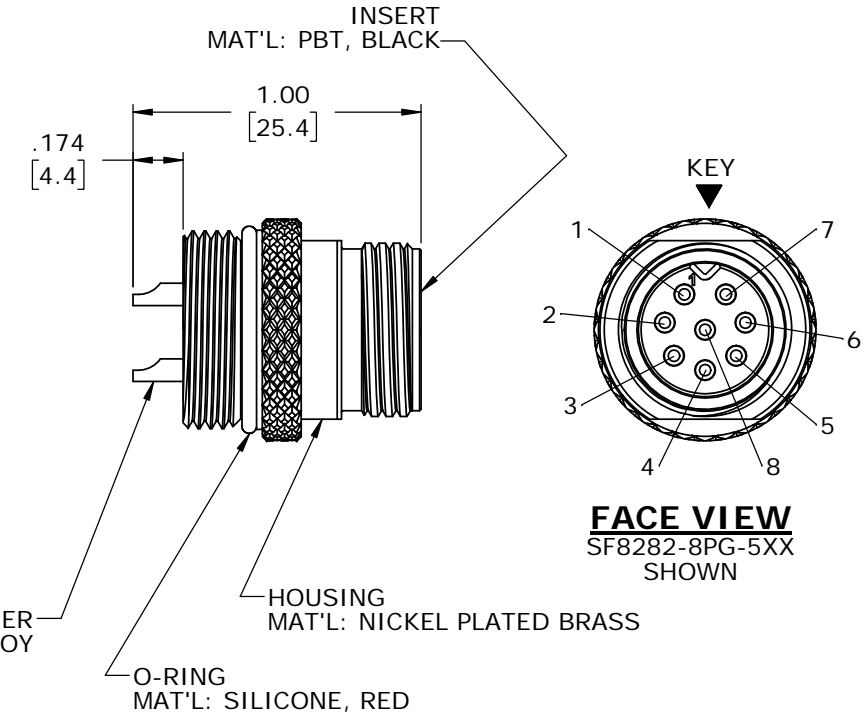
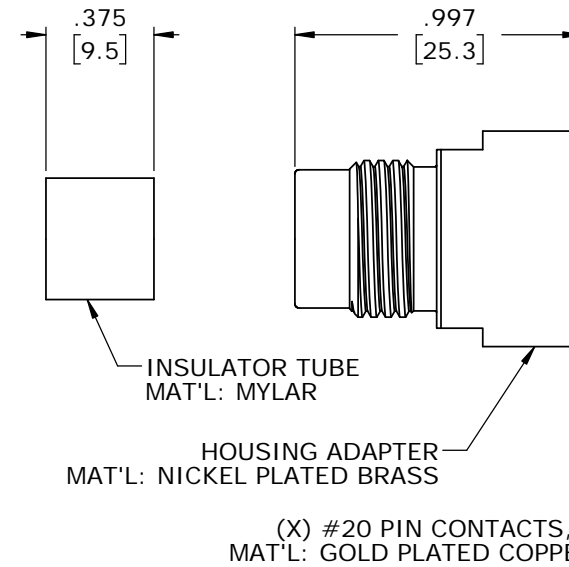
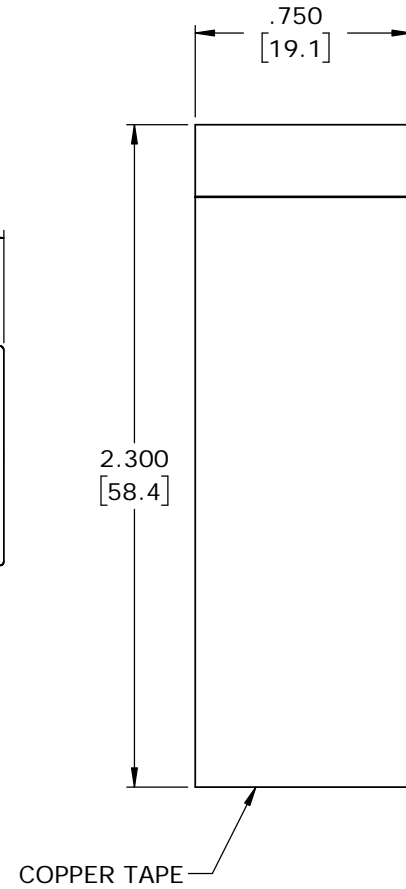
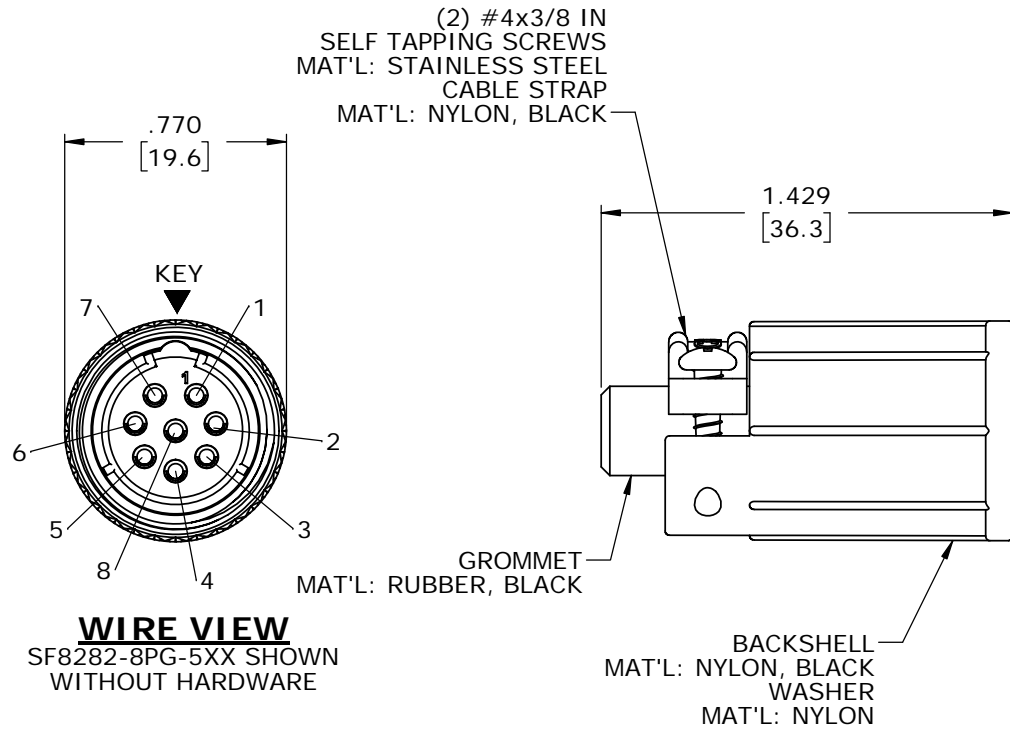
PART NUMBER: SF8282-XPG-5XX

- NOTES:
 1. FINISHED ASSEMBLIES AND LOOSE PARTS BAGGED.
 2. LABEL WITH CONXALL PART NUMBER, DATE CODE AND P/N BARCODE PLACED ON BAG
 3. SEE DRAWING HPSFMISTD FOR HOLE PATTERNS
 4. FOR FIELD INSTALLATION, SEE INSTRUCTION SHEET 2 OF 2.
 5. ALL DIMENSIONS ARE REFERENCE EXCEPT THOSE WITH A TOLERANCE

CUSTOMER APPROVAL
 THIS DOCUMENT CONTAINS CONFIDENTIAL INFORMATION PROPRIETARY TO CONXALL CORPORATION. ANY REPRODUCTION, DISCLOSURE, OR USE OF THIS DOCUMENT /INFORMATION IS EXPRESSLY PROHIBITED UNLESS AUTHORIZED IN WRITING BY CONXALL CORPORATION.
 APPROVED BY: _____
 DATE: _____

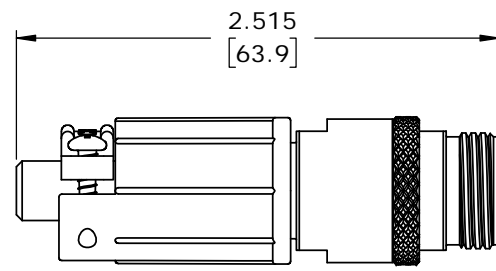
ASSEMBLY P/N	NO. OF CONTACT
SF8282-2PG-5XX	(2) #20
SF8282-3PG-5XX	(3) #20
SF8282-4PG-5XX	(4) #20
SF8282-5PG-5XX	(5) #20
SF8282-6PG-5XX	(6) #20
SF8282-7PG-5XX	(7) #20
SF8282-8PG-5XX	(8) #20

520 = BACKSHELL WITH Ø.220 [5.6] GROMMET I.D.
 530 = BACKSHELL WITH Ø.330 [8.4] GROMMET I.D.

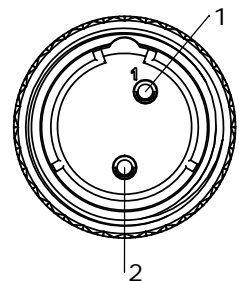


WIRE VIEW
 SF8282-8PG-5XX SHOWN WITHOUT HARDWARE

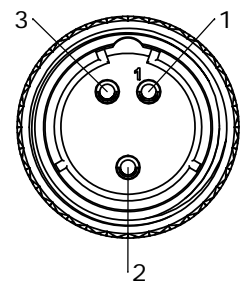
FACE VIEW
 SF8282-8PG-5XX SHOWN



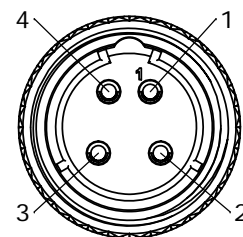
ASSEMBLED VIEW
 CUSTOMER REFERENCE ONLY



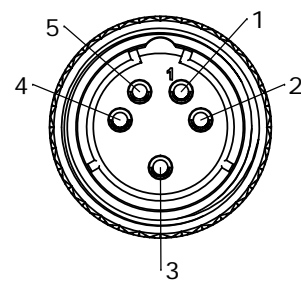
WIRE VIEW
 SF8282-2PG-5XX



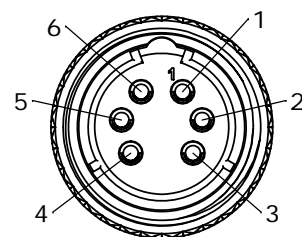
WIRE VIEW
 SF8282-3PG-5XX



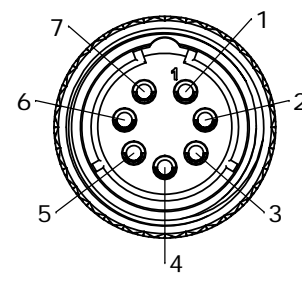
WIRE VIEW
 SF8282-4PG-5XX



WIRE VIEW
 SF8282-5PG-5XX



WIRE VIEW
 SF8282-6PG-5XX

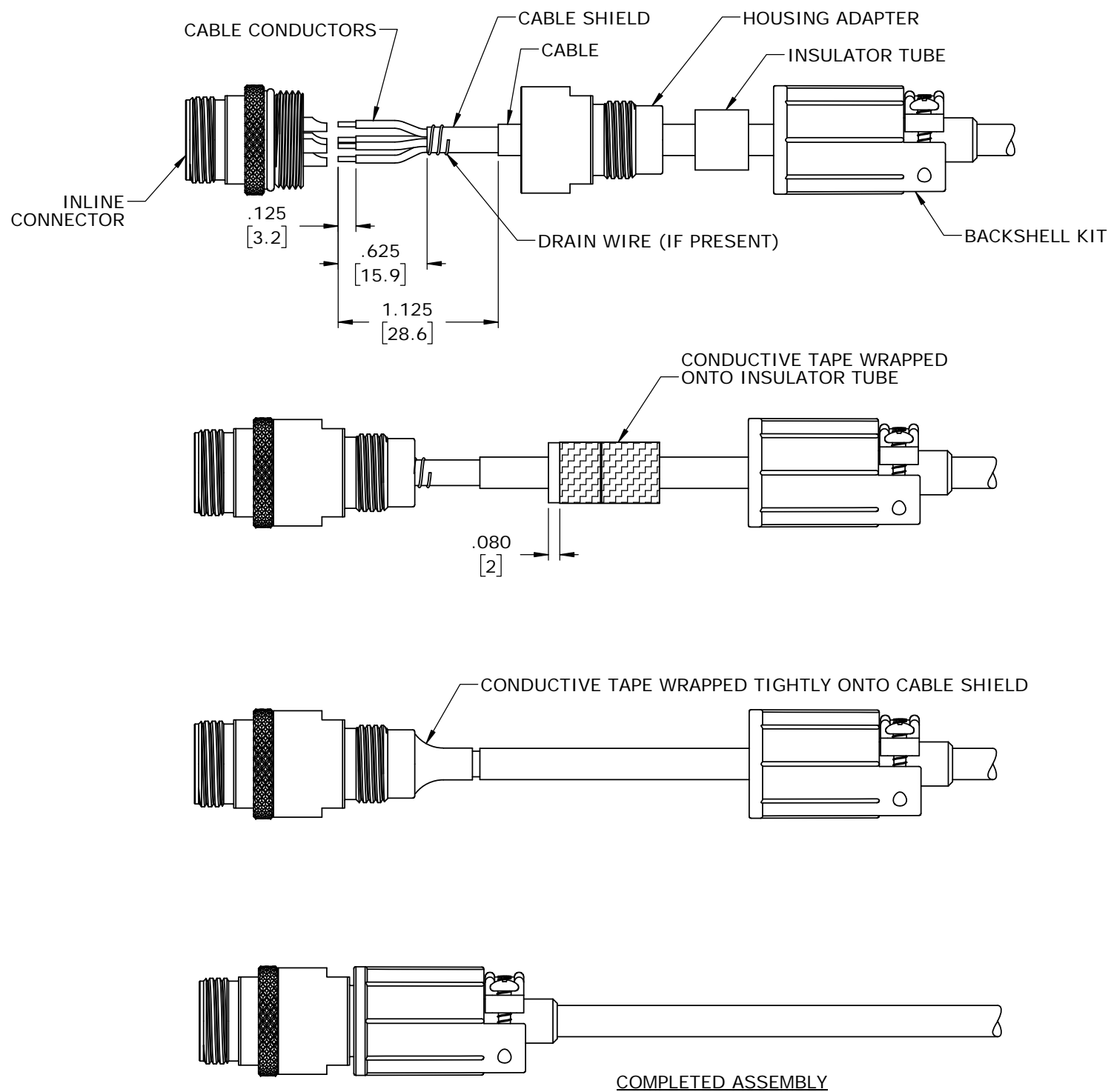


WIRE VIEW
 SF8282-7PG-5XX

DIMENSIONS IN BRACKETS [] ARE IN MILLIMETERS

RoHS COMPLIANT

MA	01-28-19	RELEASED PER PDR 17011	
A	PNK	12-20-18 O-RING 4290S REPLACES SF6290S-1.	
	PNK	1-30-18 DRAWING CREATED PER PDR17011	
REV.	INIT.	DATE	DESCRIPTION
			ALL INFORMATION ILLUSTRATED IS THE PROPERTY OF "CONXALL CORPORATION". UNAUTHORIZED DUPLICATION OR DISTRIBUTION OF THIS DOCUMENT IS PROHIBITED.
			UNLESS OTHERWISE SPECIFIED TOLERANCES: 3 PLACE DECIMALS ± .005 ANGLES ± 1° FRACTIONS ± 1/16 - CRITICAL CHARACTERISTIC FLAG PER SPEC. XXXX
ORIG. DRAWN BY: PNK		DATE: 1-30-18	 601 E. WILDWOOD VILLA PARK, IL 60181 TITLE: CABLE-TO-CABLE ASSEMBLY (2-8) #20 PIN CONTACTS, SOLDER SHIELDED MINI-CON-X STANDARD PRODUCT CUSTOMER:
CHECKED BY:		APPROVED BY:	
SCALE: NTS	SIZE: B	SHEET: 1 OF 2	PART NUMBER: SF8282-XPG-5XX
FILE: SF8282-XPG-5XX	DIRECTORY: SLW	REV: A	



CABLE WIRING AND ASSEMBLY INSTRUCTIONS:

STEP 1. SLIDE HOUSING ADAPTER, INSULATOR TUBE, AND BACKSHELL KIT, ONTO CABLE IN THE ORDER SHOWN.

STEP 2. STRIP CABLE JACKET AND WIRES TO LENGTH. EXCESS CABLE SHIELD MUST BE TRIMMED OR WRAPPED AROUND WIRES. IF PRESENT, USE THE DRAIN WIRE TO WRAP THE CABLE SHIELD IN PLACE.

STEP 3. SOLDER WIRES TO CONTACTS.


STEP 4. THREAD HOUSING ADAPTER ONTO CONNECTOR AND TIGHTEN TO 5 LB-IN [0.56 N-m] MINIMUM TORQUE.

STEP 5. PEEL-OFF THE BACKING OF THE CONDUCTIVE TAPE AND WRAP IT AROUND THE INSULATOR AS SHOWN.

STEP 6. SLIDE INSULATOR/CONDUCTIVE TAPE INTO THE BACK OF THE CONNECTOR. FORM FREE END OF CONDUCTIVE TAPE TIGHTLY ONTO THE SHIELD OF THE CABLE.

STEP 7. SLIDE AND THREAD THE BACKSHELL KIT ONTO CONNECTOR. TIGHTEN TO 5 LB-IN [0.56 N-m] MINIMUM TORQUE.

STEP 8. TIGHTEN THE TWO BACKSHELL SCREWS TO SECURE THE CABLE IN THE BACKSHELL.

MA	04-03-19	RELEASED PER PDR 17011	
A	PNK	12-20-18	O-RING 4290S REPLACES SF6290S-1.
	PNK	1-30-18	DRAWING CREATED PER PDR 17011
REV.	INIT.	DATE	DESCRIPTION
<small>ALL INFORMATION ILLUSTRATED IS THE PROPERTY OF CONXALL CORPORATION. UNAUTHORIZED DUPLICATION OR DISTRIBUTION OF THIS DOCUMENT IS PROHIBITED.</small>			<small>ORIG. DRAWN BY: PNK</small> <small>DATE: 1-30-18</small> <small>CHECKED BY:</small>
<small>ALL UNITS ARE IN FEET, INCHES, FRACTION OF INCHES AND DECIMALS.</small> <small>UNLESS OTHERWISE SPECIFIED TOLERANCES:</small> <small>3 PLACE DECIMALS ± .005</small> <small>ANGLES ± 1°</small> <small>FRACTIONS ± 1/16</small> <small>△ - CRITICAL CHARACTERISTIC FLAG PER SPEC. XXXX</small>			 <small>601 E. WILDWOOD VILLA PARK, IL 60181</small>
<small>APPROVED BY:</small>		<small>SCALE: NTS</small> <small>SIZE: B</small> <small>SHEET: 2 OF 2</small>	<small>TITLE: CABLE-TO-CABLE ASSEMBLY (2-8) #20 PIN CONTACTS, SOLDER SHIELDED MINI-CON-X STANDARD PRODUCT</small> <small>CUSTOMER:</small>
FILE:	DIRECTORY:	PART NUMBER:	REV
FILE NAME	SLW	SF8282-XPG-5XX	A

Mouser Electronics

Authorized Distributor

Click to View Pricing, Inventory, Delivery & Lifecycle Information:

Switchcraft:

[SF8282-5PG-520](#) [SF8282-2PG-530](#) [SF8282-4PG-530](#) [SF8282-3PG-530](#) [SF8282-7PG-530](#) [SF8282-6PG-520](#)
[SF8282-4PG-520](#) [SF8282-8PG-530](#) [SF8282-8PG-520](#) [SF8282-2PG-520](#) [SF8282-6PG-530](#) [SF8282-7PG-520](#)
[SF8282-3PG-520](#) [SF8282-5PG-530](#)