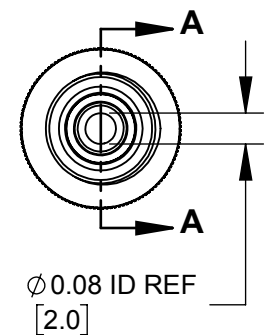
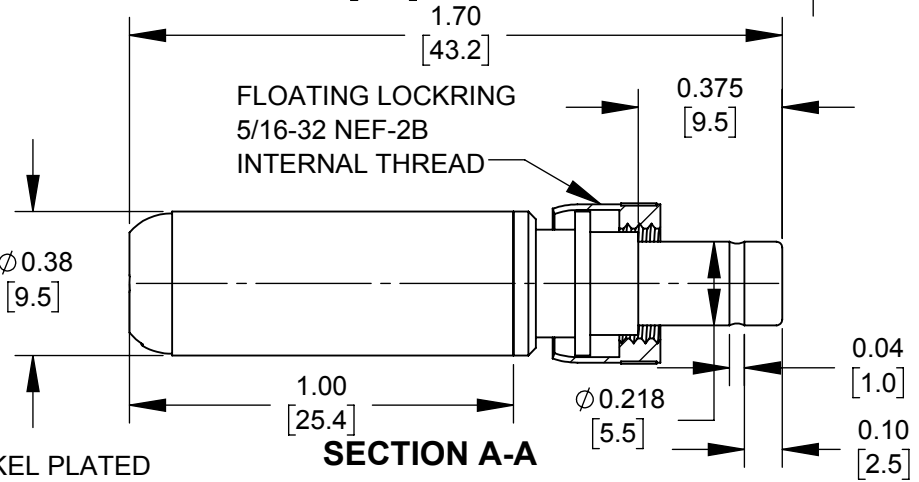
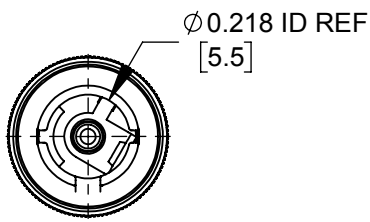
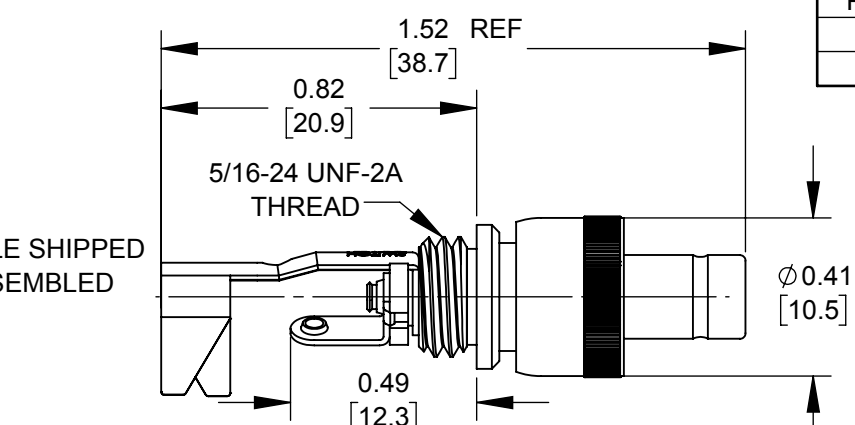


PART NUMBER	HANDLE COLOR
S760KZ	BLACK
S765KZ	RED



- NOTES:
- MATERIALS:  
 CONDUCTORS & LOCKRING - BRASS, NICKEL PLATED  
 TERMINALS - BRASS, TIN PLATED  
 INSULATORS & HANDLE - THERMOPLASTIC

2. THIS PRODUCT IS RoHS COMPLIANT

**CUSTOMER DRAWING**

					UNLESS OTHERWISE SPECIFIED  1. ALL DIMENSIONS IN INCHES [mm] - TWO PLACE DECIMALS ±0.02 [0.5] - THREE PLACE DECIMALS ±0.005 [0.13]
0A	FIRST DRAWN	10/24/19	AM	*	
REV	ECO NUMBER	DATE	BY	APVD	
REVISIONS					

THIS DRAWING DESCRIBES A DESIGN CONSIDERED PROPRIETARY IN NATURE, DEVELOPED AND MANUFACTURED BY SWITCHCRAFT INC. AND IS RELEASED ON A CONFIDENTIAL BASIS FOR IDENTIFICATION PURPOSES ONLY.							
SIZE *	WIDTH *	MULT *	LBS/M *	TEMPER *			
FINISH *			MATERIAL *				
SPEC No. *			SPEC No. *				
FIRST USED ON *			SCALE 2:1				
DATE DRAWN	BY	CHKD	APVD				
10/24/19	AM	*	*				
NAME			PART No.		REV		
Ø0.08 [2.0]mm X 0.375 LONG IMPROVED PWR PLG W/LOCKRING, RoHS			S760KZ-S765KZ		0A		

DO NOT SCALE DRAWING

SolidWorks CAD File

# Mouser Electronics

Authorized Distributor

Click to View Pricing, Inventory, Delivery & Lifecycle Information:

[Switchcraft:](#)

[S760KZ](#)