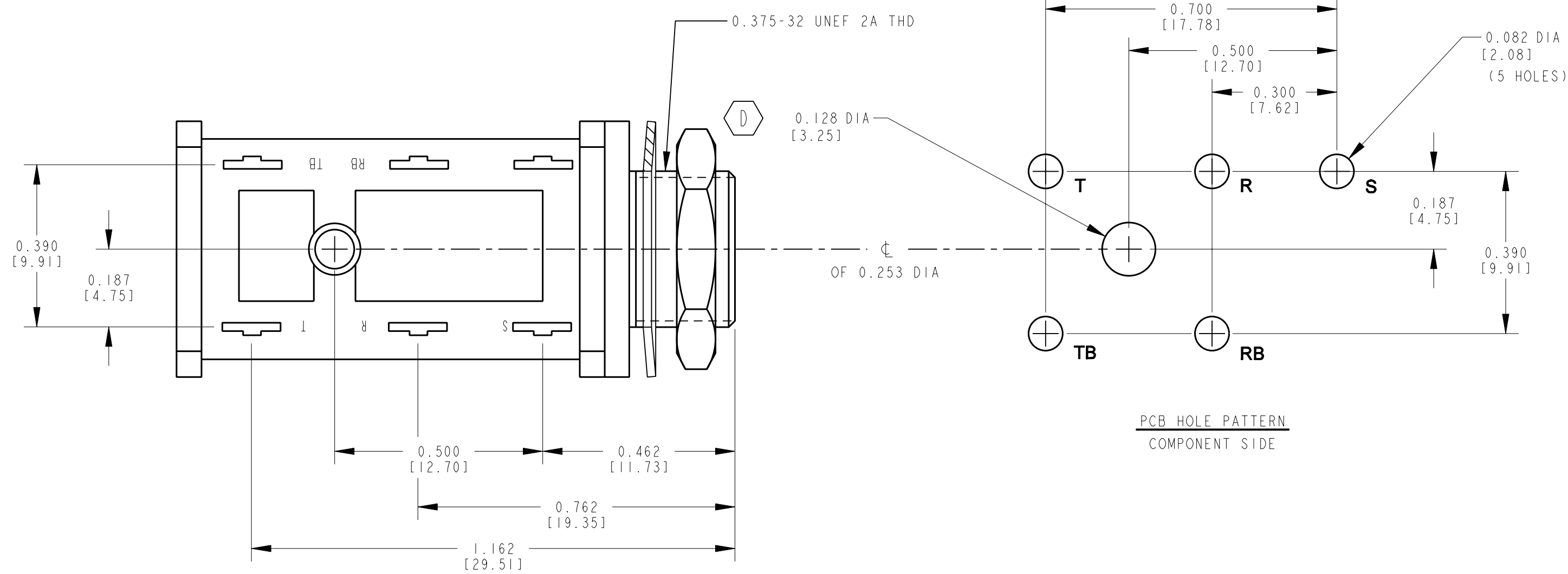


MATERIAL SPECIFICATIONS
 HOUSING: BLACK THERMOPLASTIC
 POLYESTER, 94V0
 CONTACT SPRINGS: TIN PLATED
 SPRING TEMP. NICKEL SILVER.
 HARDWARE: NICKEL PLATED BRASS.

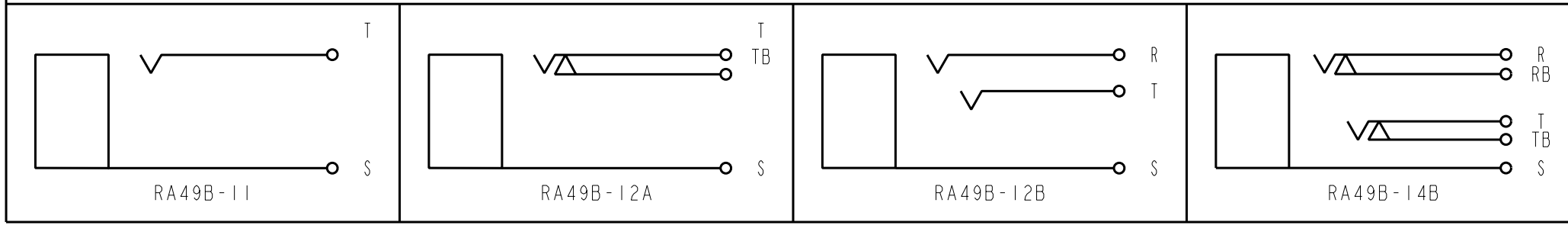


PCB HOLE PATTERN
 COMPONENT SIDE

CUSTOMER DRAWING

CAD/CAM DWG. NO.
 s.ra49b_cd
 SHEET 1 OF 1

SCHMATIC



REVISIONS				DO NOT SCALE DRAWING					
ISSUE	CHANGE NO.	DATE	BY	APP'D	SIZE	WIDTH	MULT	LBS./M	TEMPER
E	ECO #19704	3-24-95	RC	GHJ					
D	ECO#15763	2-16-90	LR	VL					
C	ECO 15105	10-11-89	TW	VL					
B	RELEASED TO PROD	4-21-89	RLD	AS					
0A	PRELIM CUST DWG	3-11-88	RLD						

STAR SYMBOL DENOTES CRITICAL DIMENSION. SEE S/C ENGINEERING STANDARD ES-0001				THIS DRAWING DESCRIBES A DESIGN CONSIDERED PROPRIETARY IN NATURE, DEVELOPED AND MANUFACTURED BY SWITCHCRAFT INC. AND IS RELEASED ON A CONFIDENTIAL BASIS FOR IDENTIFICATION PURPOSE ONLY.			
UNLESS OTHERWISE SPECIFIED				FINISH	SCALE		MATERIAL SPEC. NO.
					1 = 0.25		
1. ALL DIMENSIONS IN INCHES				DATE DRAWN			
2. DECIMAL DIMENSIONS ±.005				BY			
3. FRACTIONAL DIMENSIONS ±1/64				CHK'D			
4. ANGLES ±1/2°				VL			
5. ALL DIA'S CONCENTRIC WITHIN .005 T.I.R.				AS			
6. REMOVE ALL BURRS				APP'D			
7. MAKE NO DIMENSIONAL ALLOWANCES FOR APPLIED FINISHES, I.E., PLATING, PAINTING, ETC.				3-11-88			
8. HOLES ON THE SAME CENTERLINE MUST BE ALIGNED WITHIN ±.002				RLD			
				5-1-89			
				5-2-89			
				NAME			
				JACK ASSY			
				PART NO.			
				RA49B-SER			
				ISSUE			
				E			



Mouser Electronics

Authorized Distributor

Click to View Pricing, Inventory, Delivery & Lifecycle Information:

[Switchcraft:](#)

[RA49B14B](#) [RA49B12A](#) [RA49B11](#) [RA49B12B](#) [RA70B11](#) [RA70B12A](#) [RA70B12B](#) [RA70B14B](#)