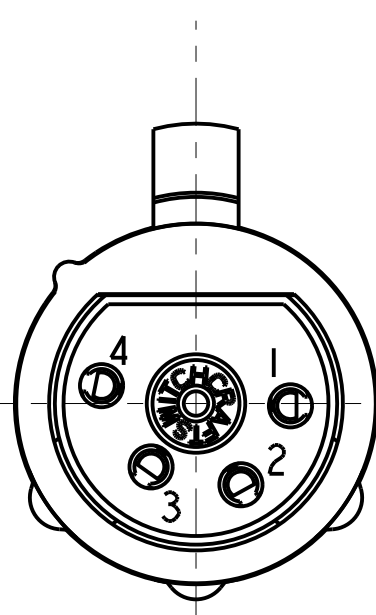
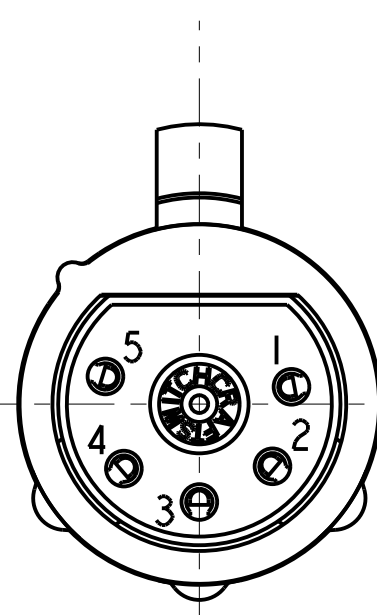


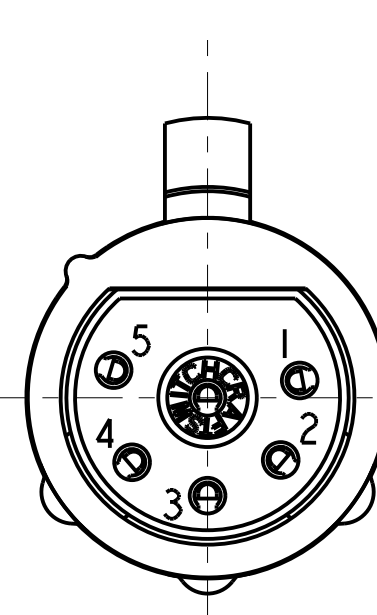
3 PIN



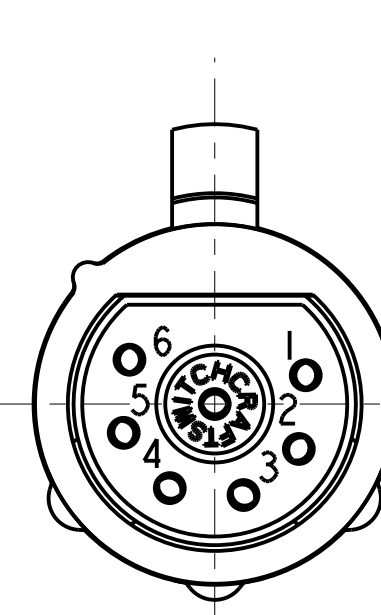
4 PIN



5 PIN



6 PIN



7 PIN

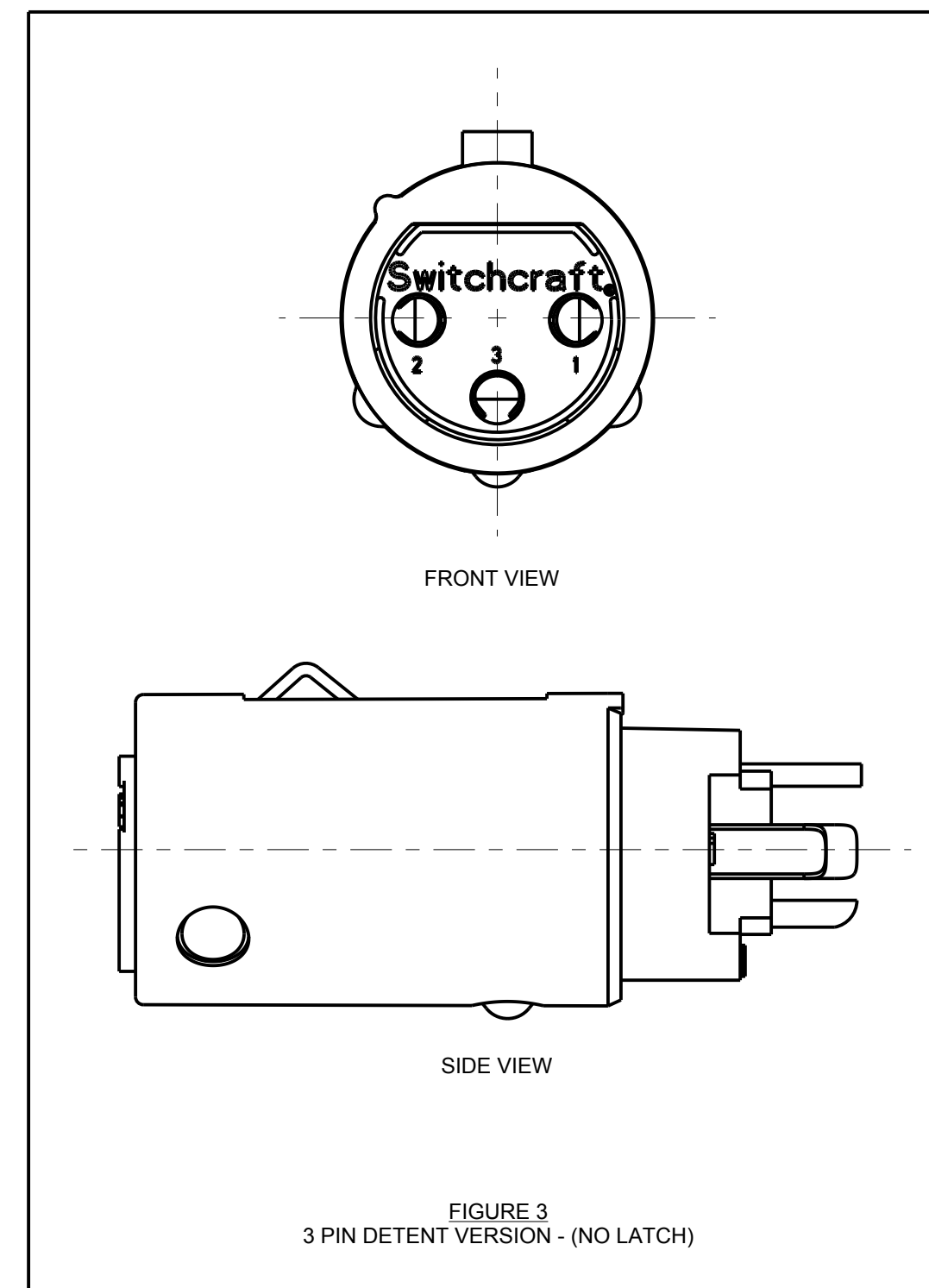
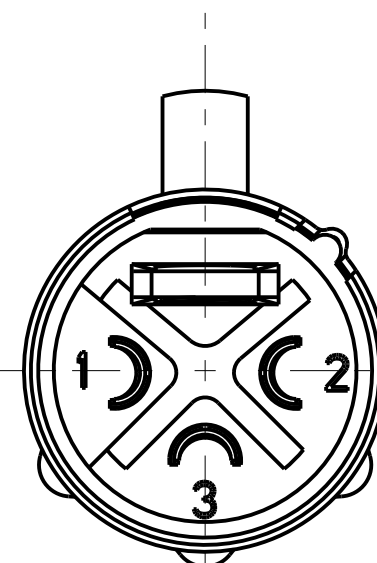
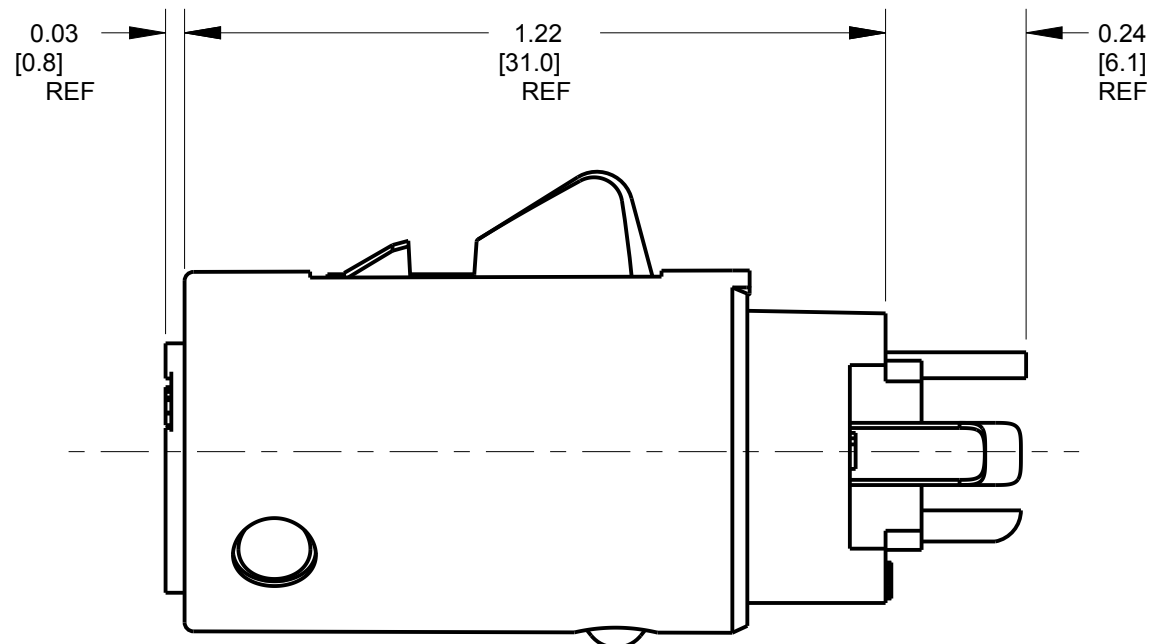
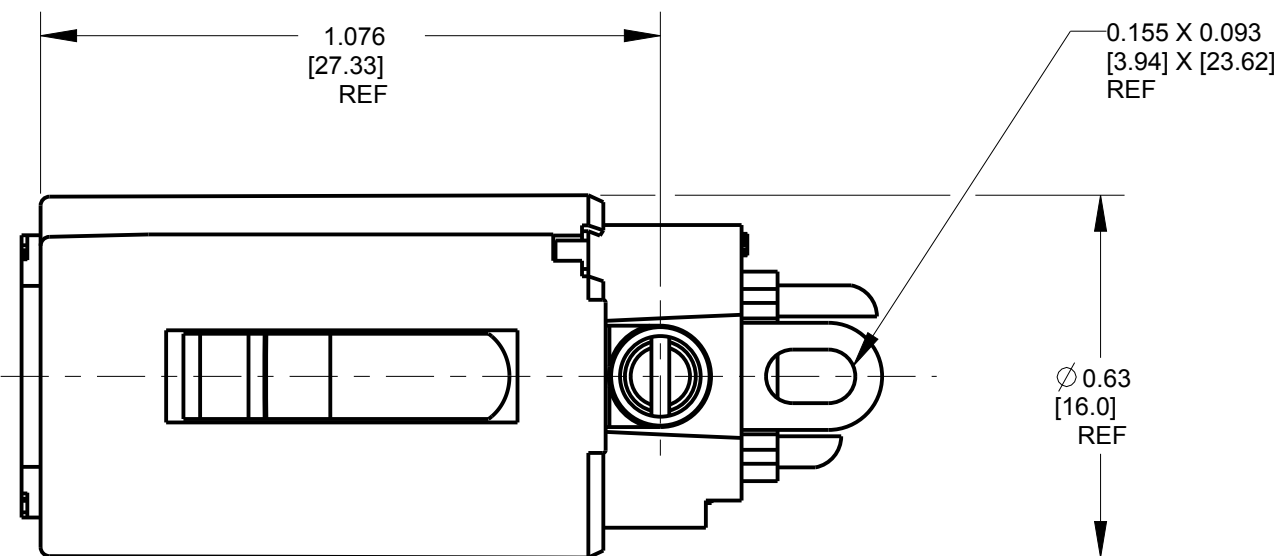


FIGURE 3
3 PIN DETENT VERSION - (NO LATCH)

STANDARD SERIES	
SCREW - STAINLESS STEEL	
SHELL - STAINLESS STEEL	
LATCH BUTTON - ZINC, NICKEL PLATED	
INSULATOR - POLYESTER, GREEN OR BLACK	
SOLDER TERMINAL - BRASS, ELECTRO TIN	
LATCH SPRING - STAINLESS STEEL	
CONTACTOR - BERYLLIUM COPPER, NICKEL PLATED	
CONTACT PIN - PHOSPHOR BRONZE, SILVER PLATED	
QGP F	
TERMINAL TYPE	BLANK = SOLDER LUGS (STANDARD) PC = PC TERMINAL
CONTACT PLATING	BLANK = SILVER (STANDARD) AU = GOLD
INSULATOR COLOR	BLANK = GREEN (STANDARD) BX = BLACK, RoHS (SEE NOTE 1)
LATCH TYPE	BLANK = STANDARD LATCHLOCK D = FAS-DIS-CONNECT DETENT (SEE FIG. 3)
NO. OF CONTACTS:	
	3 = 3 CONTACTS
	4 = 4 CONTACTS
	5 = 5 CONTACTS
	6 = 6 CONTACTS
	7 = 7 CONTACTS

PROFESSIONAL SERIES	
SAME AS ABOVE EXCEPT	
CONTACT PIN - PHOSPHOR BRONZE, GOLD OVER NICKEL	
QGP F	
NO. OF CONTACTS:	
	3 = 3 CONTACTS
	4 = 4 CONTACTS
	5 = 5 CONTACTS
	6 = 6 CONTACTS
	7 = 7 CONTACTS

NOTES:

- "BX" SERIES IS A BLACK INSERT WITH A NICKEL PLATED LATCH. REAR INSULATOR IS GREEN.
- THESE PRODUCTS ARE RoHS COMPLIANT.

REV	ECO NUMBER	DATE	BY	APVD
BB	27956	10-19-17	PC	TJK
AA	27714	6-3-16	TO	TJK
Y	27297	5-20-14	TO	TJK

★ STAR SYMBOL DENOTES CRITICAL DIMENSION

UNLESS OTHERWISE SPECIFIED

1. ALL DIMENSIONS IN INCHES
-TWO PLACE DECIMALS ±0.01
-THREE PLACE DECIMALS ±0.005
-ANGLES ±1°
-ALL DIA. CONCENTRIC WITHIN 0.005 T.I.R.

2. FEATURES ON THE SAME CENTERLINE MUST BE ALIGNED WITHIN ±0.002

3. REMOVE ALL BURRS

DO NOT SCALE DRAWING

THIS DRAWING DESCRIBES A DESIGN CONSIDERED PROPRIETARY IN NATURE, DEVELOPED AND MANUFACTURED BY SWITCHCRAFT INC. AND IS RELEASED ON A CONFIDENTIAL BASIS FOR IDENTIFICATION PURPOSES ONLY.				
SIZE	WIDTH	MULT	LBS/M	TEMPER
FINISH		MATERIAL		
SPEC No.		SPEC No.		
FIRST USED ON		SCALE		
		3:1		
DATE DRAWN	BY	CHKD	APVD	
3-3-94	LR	JD	GHJ	
		3-8-94	3-8-94	
NAME		PART No.		REV
FEMALE QG INSERT SERIES, RoHS		QG F SERIES		BB

CUSTOMER DRAWING



Mouser Electronics

Authorized Distributor

Click to View Pricing, Inventory, Delivery & Lifecycle Information:

[Switchcraft:](#)

[QG3F](#) [QG3FD](#)