

NOTES:

1. ALL DIMENSIONS ARE REFERENCE.

2. MATERIALS:

(C) HOUSING: ABS OR PBT, UL-94HB, BLACK

(C) COLOR INSERT: POM OR PBT, UL-94HB

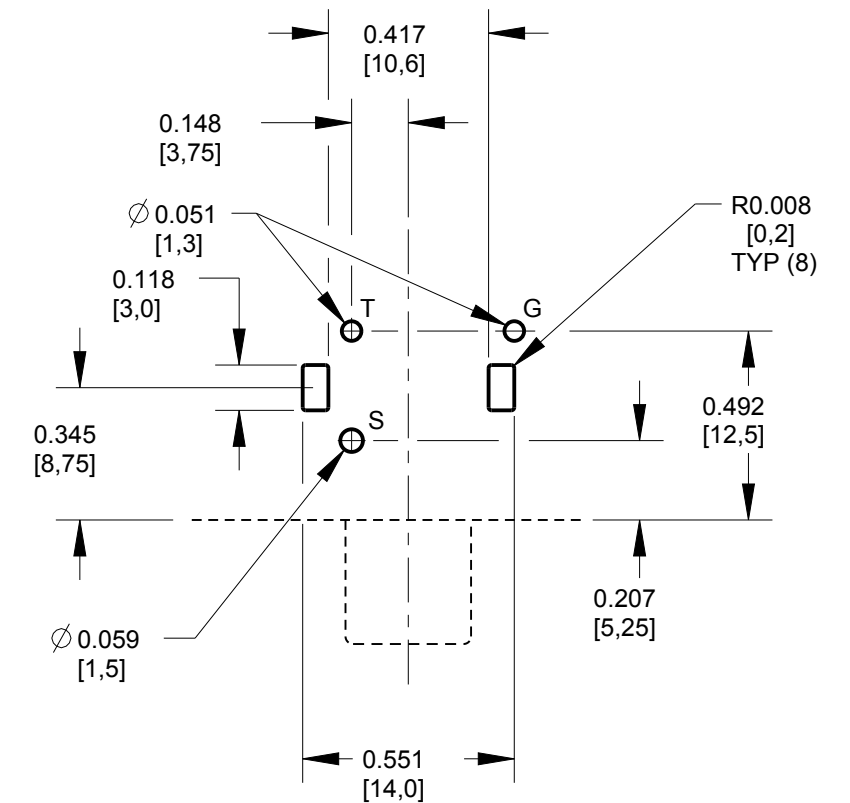
SHELL & SLEEVE TERMINAL: COPPER ALLOY,  
SEE TABLE FOR PLATING.

(B) TIP TERMINAL: COPPER ALLOY,  
SEE TABLE FOR PLATING

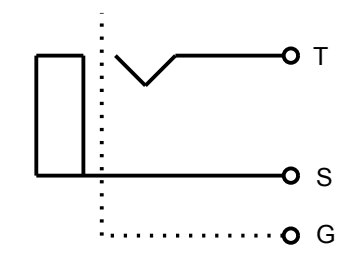
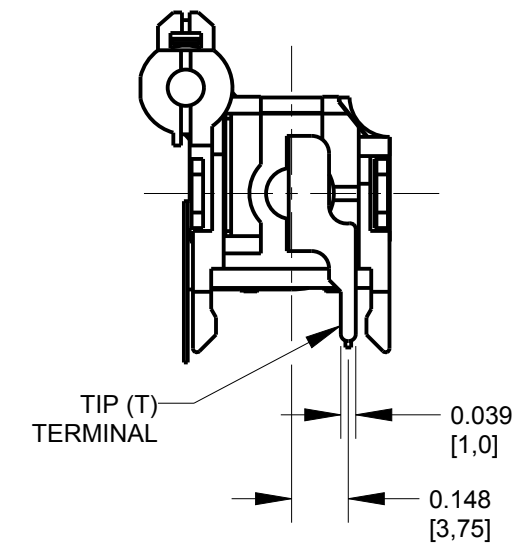
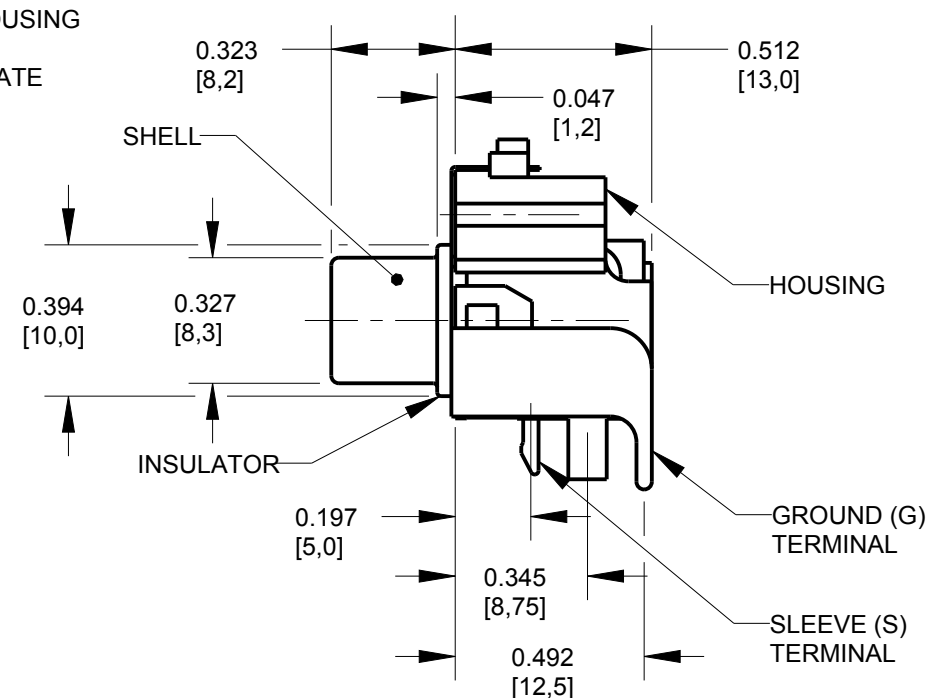
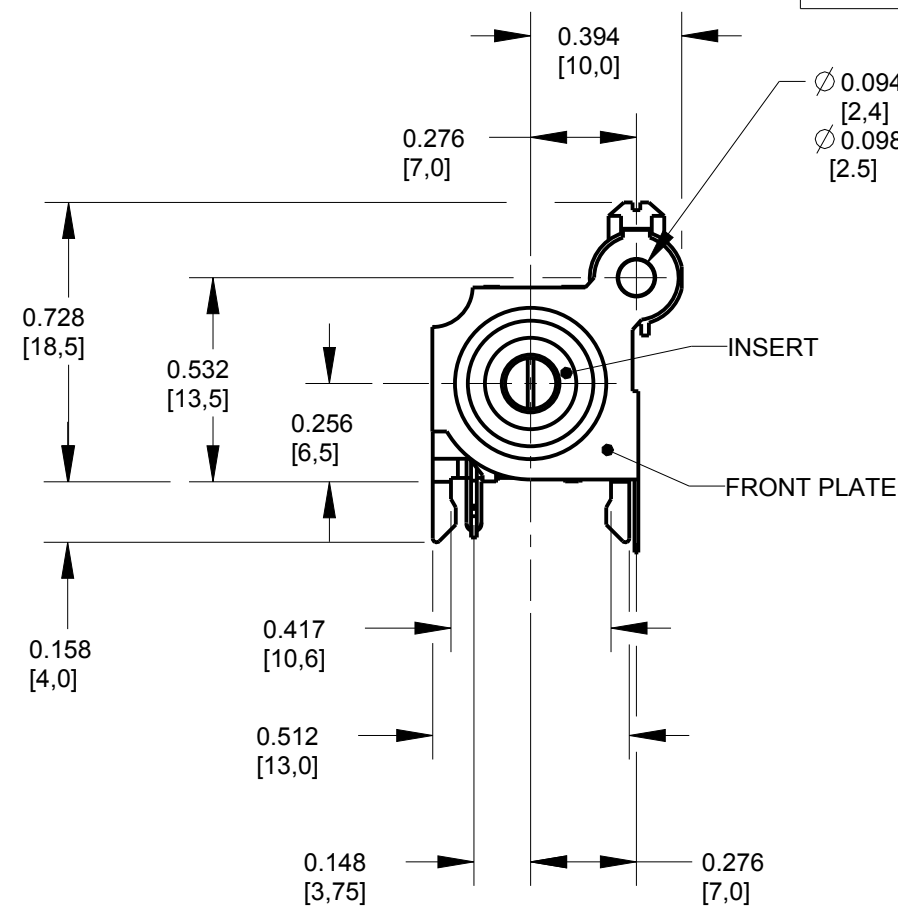
(B) FRONT PLATE & GROUND TERMINAL: COPPER ALLOY,  
SEE TABLE FOR PLATING

3. THIS PART IS RoHS COMPLIANT

| PART NUMBER      | INSERT COLOR | SHELL AND SLEEVE TERMINAL FINISH | TIP TERMINAL     | FRONT PLATE & GROUND TERMINAL |
|------------------|--------------|----------------------------------|------------------|-------------------------------|
| PJRS1X1S01X      | BLACK        | NICKEL PLATED                    | MATTE TIN PLATED | MATTE TIN PLATED              |
| PJRS1X1S01AUX    | BLACK        | GOLD PLATED                      | MATTE TIN PLATED | MATTE TIN PLATED              |
| PJRS1X1S01AUALLX | BLACK        | GOLD PLATED                      | GOLD PLATED      | GOLD PLATED                   |
| PJRS1X1S02X      | WHITE        | NICKEL PLATED                    | MATTE TIN PLATED | MATTE TIN PLATED              |
| PJRS1X1S02AUX    | WHITE        | GOLD PLATED                      | MATTE TIN PLATED | MATTE TIN PLATED              |
| PJRS1X1S03X      | RED          | NICKEL PLATED                    | MATTE TIN PLATED | MATTE TIN PLATED              |
| PJRS1X1S03AUX    | RED          | GOLD PLATED                      | MATTE TIN PLATED | MATTE TIN PLATED              |
| PJRS1X1S03AUALLX | RED          | GOLD PLATED                      | GOLD PLATED      | GOLD PLATED                   |
| PJRS1X1S04X      | YELLOW       | NICKEL PLATED                    | MATTE TIN PLATED | MATTE TIN PLATED              |
| PJRS1X1S04AUX    | YELLOW       | GOLD PLATED                      | MATTE TIN PLATED | MATTE TIN PLATED              |
| PJRS1X1S05X      | BLUE         | NICKEL PLATED                    | MATTE TIN PLATED | MATTE TIN PLATED              |
| PJRS1X1S05AUALLX | BLUE         | GOLD PLATED                      | GOLD PLATED      | GOLD PLATED                   |
| PJRS1X1S06X      | GREEN        | NICKEL PLATED                    | MATTE TIN PLATED | MATTE TIN PLATED              |
| PJRS1X1S06AUALLX | GREEN        | GOLD PLATED                      | GOLD PLATED      | GOLD PLATED                   |
| PJRS1X1S07X      | ORANGE       | NICKEL PLATED                    | MATTE TIN PLATED | MATTE TIN PLATED              |
| PJRS1X1S07AUX    | ORANGE       | GOLD PLATED                      | MATTE TIN PLATED | MATTE TIN PLATED              |



P.C. BOARD LAYOUT  
COMPONENT SIDE



SCHEMATIC

CUSTOMER DRAWING

| REV | ECO NUMBER | DATE     | BY  | APVD |
|-----|------------|----------|-----|------|
| C   | 27929      | 08-17-17 | PC  | TJK  |
| B   | 25738      | 10-26-07 | TJK | TJK  |
| A   | 25181      | 1-13-06  | JL  | TJK  |

REVISIONS

★ STAR SYMBOL DENOTES CRITICAL DIMENSION

UNLESS OTHERWISE SPECIFIED

1. ALL DIMENSIONS IN INCHES  
-TWO PLACE DECIMALS ±0.01  
-THREE PLACE DECIMALS ±0.005  
-ANGLES ±1°  
-ALL DIA. CONCENTRIC WITHIN 0.005 T.I.R.

2. FEATURES ON THE SAME CENTERLINE MUST BE ALIGNED WITHIN ±0.002

3. REMOVE ALL BURRS

DO NOT SCALE DRAWING

|  |       |          |                     |        |
|--|-------|----------|---------------------|--------|
| THIS DRAWING DESCRIBES A DESIGN CONSIDERED PROPRIETARY IN NATURE, DEVELOPED AND MANUFACTURED BY SWITCHCRAFT INC. AND IS RELEASED ON A CONFIDENTIAL BASIS FOR IDENTIFICATION PURPOSES ONLY. |       |          |                     |        |
| SIZE   | WIDTH | MULT     | LBS/M               | TEMPER |
| FINISH   |       | MATERIAL |                     |        |
| SPEC No.   |       | SPEC No. |                     |        |
| FIRST USED ON  |       | SCALE    |                     |        |
|  |       | 2:1      |                     |        |
| DATE DRAWN   | BY    | CHKD     | APVD                |        |
| 13-Jan-06  | JL    | TJK      | TJK                 |        |
|  |       | 1-13-06  | 1-13-06             |        |
| NAME   |       |          | PART No.            |        |
| PHONO JACK, RIGHT ANGLE,<br>1 POS. SCREW MOUNT, SHIELDED, RoHS   |       |          | PJRAS1X1S__X SERIES |        |
|  |       |          |                     | REV    |
|  |       |          |                     | C      |



SHEET 1 OF 1

# Mouser Electronics

Authorized Distributor

Click to View Pricing, Inventory, Delivery & Lifecycle Information:

## Switchcraft:

[PJRAS1X1S01X](#) [PJRAS1X1S02X](#) [PJRAS1X1S03X](#) [PJRAS1X1S04X](#) [PJRAS1X1S01AU](#) [PJRAS1X1S02AU](#)  
[PJRAS1X1S03AU](#) [PJRAS1X1S04AU](#) [PJRAS1X1S01](#) [PJRAS1X1S04AUX](#) [PJRAS1X1S07](#)