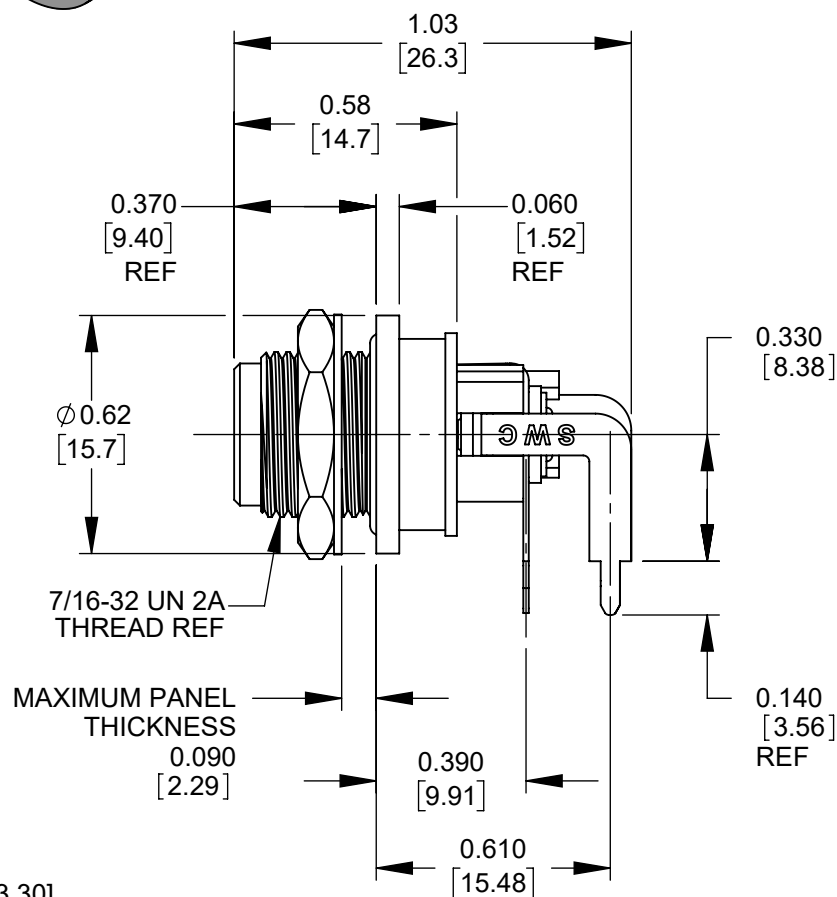
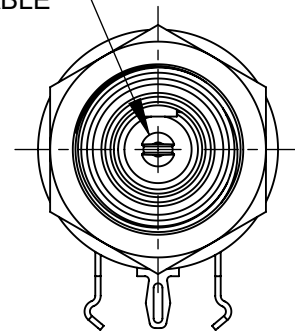
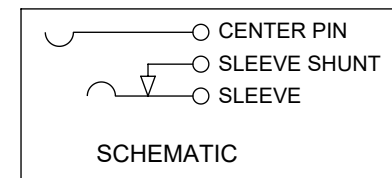
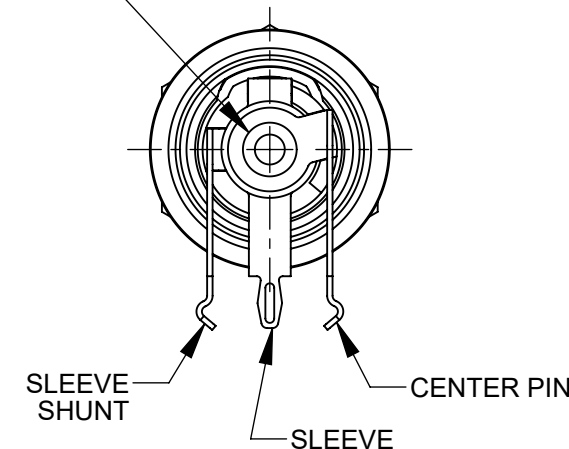


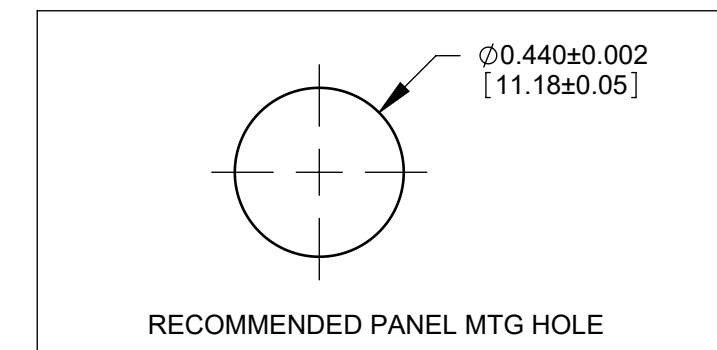
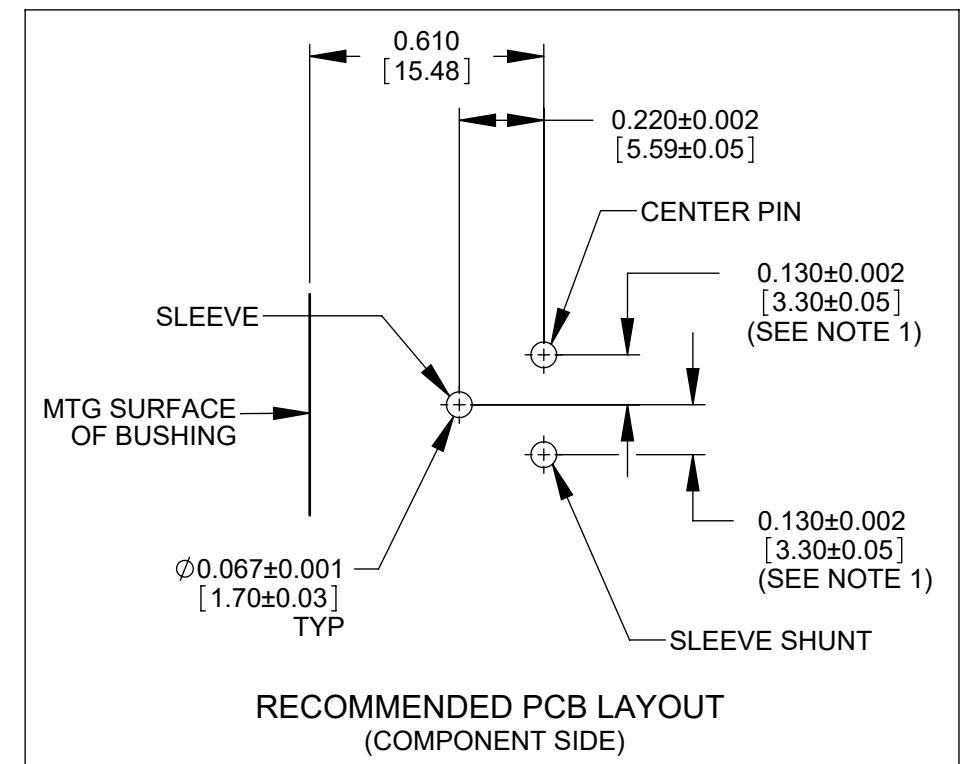
CENTER PIN/JACK SIZE
SEE TABLE



CRACKS IN CENTER PIN ROLL OVER
AREA ARE ACCEPTABLE



PART NUMBER	CENTER PIN/ JACK SIZE	MATING POWER PLUG
L712RASH	0.10 [2.5 mm]	761KSH12, 761KSH15, 761KSH17
L722RASH	0.080 [2.0 mm]	S761KSH12, S761KSH15, S761KSH17



NOTES:

- FOR HAND INSERTION USE SPACING 0.130 [3.30]
FOR AUTOMATED INSERTION USE SPACING 0.135 [3.43]
- DIMENSIONS SHOWN FOR REFERENCE ONLY.
- HEX NUT, FLAT WASHER, AND PANEL O-RING SUPPLIED UNASSEMBLED

4. MATERIAL:
HOUSINGS, HEX NUT - COPPER ALLOY, NICKEL PLATED
INSULATOR HOUSING - THERMOPLASTIC, WHITE
O-RINGS - THERMOPLASTIC RUBBER, LUBRICATED WITH SYNTHETIC GREASE
TERMINAL INSULATORS - PHENOLIC
FLAT WASHER - COPPER ALLOY, NICKEL PLATED
PIN, SPRING, TERMINALS - COPPER ALLOY, SILVER PLATED

5. IT IS RECOMMENDED THAT THE JACK MOUNTING NUT BE TIGHTENED
SNUG BY HAND BEFORE APPLYING A FINAL TIGHTENING TORQUE OF
8-10 LB-IN USING HAND TOOLS ONLY. POWER DRIVER OR IMPACT
DRIVERS ARE NOT RECOMMENDED.

6. THIS PRODUCT IS RoHS COMPLIANT

REV	ECO NUMBER	DATE	BY	APVD
C	28397	06/11/21	PC	TJK
B	28350	12/22/20	PC	TJK
A	27941	09/06/17	PC	TJK

UNLESS OTHERWISE SPECIFIED

- ALL DIMENSIONS IN INCHES [mm]
- TWO PLACE DECIMALS ±0.02 [0.5]
- THREE PLACE DECIMALS ±0.005 [0.13]

DO NOT SCALE DRAWING

THIS DRAWING DESCRIBES A DESIGN CONSIDERED PROPRIETARY IN NATURE, DEVELOPED AND MANUFACTURED
BY SWITCHCRAFT INC. AND IS RELEASED ON A CONFIDENTIAL BASIS FOR IDENTIFICATION PURPOSES ONLY.

SIZE	WIDTH	MULT	LBS/M	TEMPER
FINISH				
SPEC No.			MATERIAL	
FIRST USED ON			SCALE	
			2:1	
DATE DRAWN	BY	CHKD	APVD	
6/28/16	PNK	PNK	SRC	
			6/28/16	
NAME			PART No.	
SEALED HT POWER JACKS			L712RASH, L722RASH	
RIGHT-ANGLE PC, RoHS			REV	
			C	

CUSTOMER DRAWING

Switchcraft®

SHEET 1 OF 1

SolidWorks CAD File B

Mouser Electronics

Authorized Distributor

Click to View Pricing, Inventory, Delivery & Lifecycle Information:

[Switchcraft:](#)

[L722RASH](#)