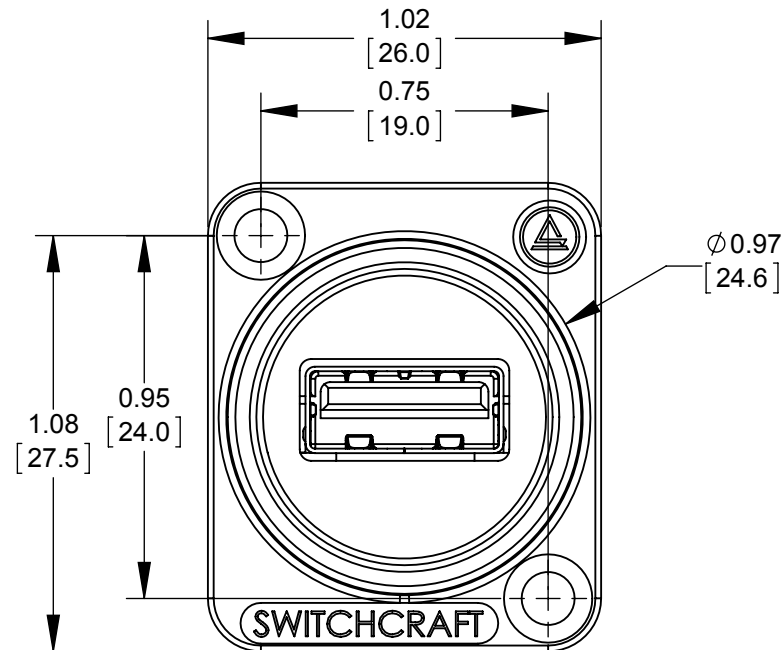
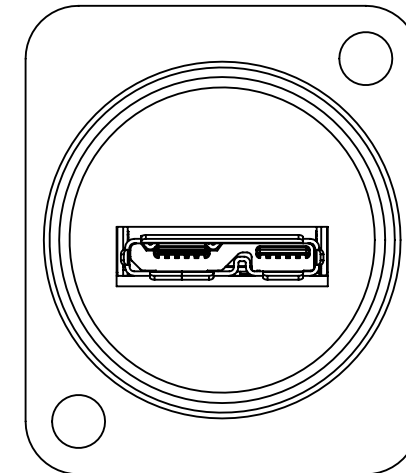
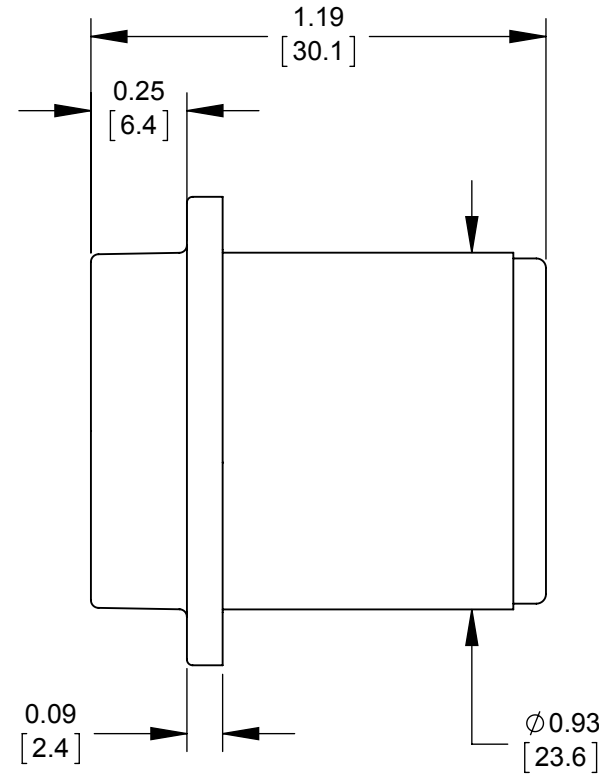


RECOMMENDED  
PANEL CUT-OUT



FRONT



BACK

**SPECIFICATIONS**

**1. FRONT CONNECTOR**

- **TYPE:** USB 3.0A
- **MECHANICAL CHARACTERISTICS:**
  - INSERTION FORCE: 7.8 lb
  - WITHDRAWAL FORCE 1.8 lb
- **CONTACT PLATING:** GOLD

**2. BACK CONNECTOR**

- **TYPE:** MICRO USB 3.0 AB
- **MECHANICAL CHARACTERISTICS:**
  - INSERTION FORCE: 7.8 lb
  - WITHDRAWAL FORCE 1.76 lb
- **CONTACT PLATING:** GOLD

**3. OVERALL:**

- **MECHANICAL:**
  - **VIBRATION:** MIL-STD 202G METHOD 201A
- **ENVIRONMENTAL:**
  - **THERMAL SHOCK:** MIL-STD-202G METHOD 107G CONDITION A
  - **OPERATING TEMP:** 0 TO 65 °C
- **HOUSING MATERIAL:** THERMOPLASTIC, BLACK.

**CUSTOMER DRAWING**

NOTES:  
1- ALL PARTS ARE RoHS COMPLIANT.

REV	ECO NUMBER	DATE	BY	APVD
0A	PRELIMINARY	4/11/16	NS	SRC
REVISIONS				

UNLESS OTHERWISE SPECIFIED

- ALL DIMENSIONS IN INCHES [mm]
  - TWO PLACE DECIMALS ±0.02 [0.5]
  - THREE PLACE DECIMALS ±0.005 [0.13]

DO NOT SCALE DRAWING

THIS DRAWING DESCRIBES A DESIGN CONSIDERED PROPRIETARY IN NATURE, DEVELOPED AND MANUFACTURED BY SWITCHCRAFT INC. AND IS RELEASED ON A CONFIDENTIAL BASIS FOR IDENTIFICATION PURPOSES ONLY.									
SIZE *	WIDTH *	MULT *	LBS/M *	TEMPER *					
FINISH *					MATERIAL *				
SPEC No. *					SPEC No. *				
FIRST USED ON *			SCALE 1:1						
DATE DRAWN	BY	CHKD	APVD						
4/11/16	NS	NS	SRC						
			4/11/16	4/11/16					
NAME EH SERIES USB 3.0 TYPE A TO MICRO USB 3.0 TYPE AB					PART No. EHUSB3ACAB		REV 0A		

SolidWorks CAD File

# Mouser Electronics

Authorized Distributor

Click to View Pricing, Inventory, Delivery & Lifecycle Information:

[Switchcraft:](#)

[EHUSB3ACAB](#) [EHUSB3ACABPKG](#)