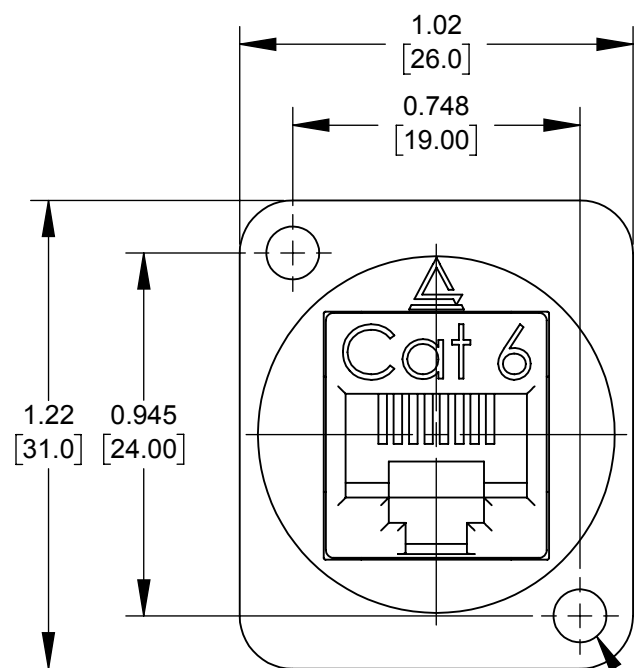
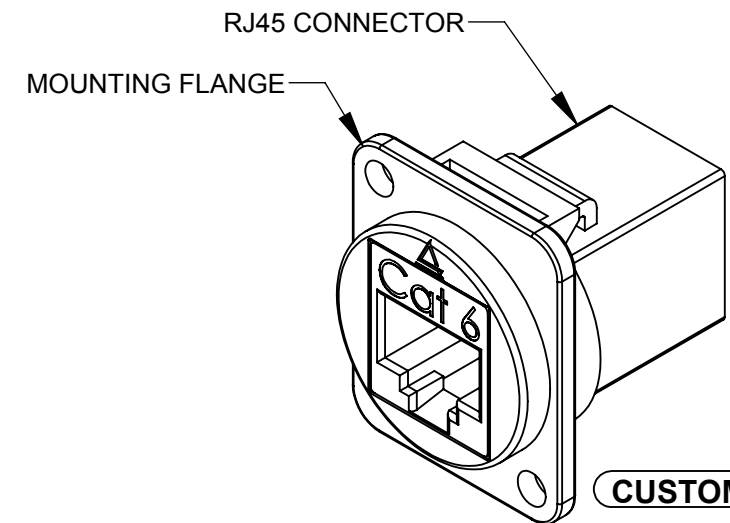
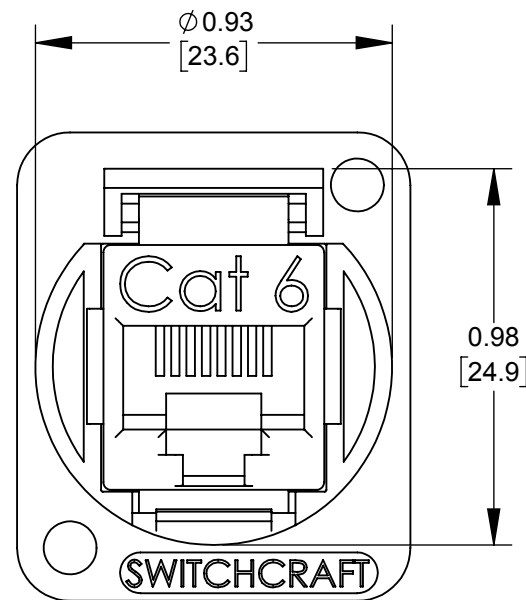
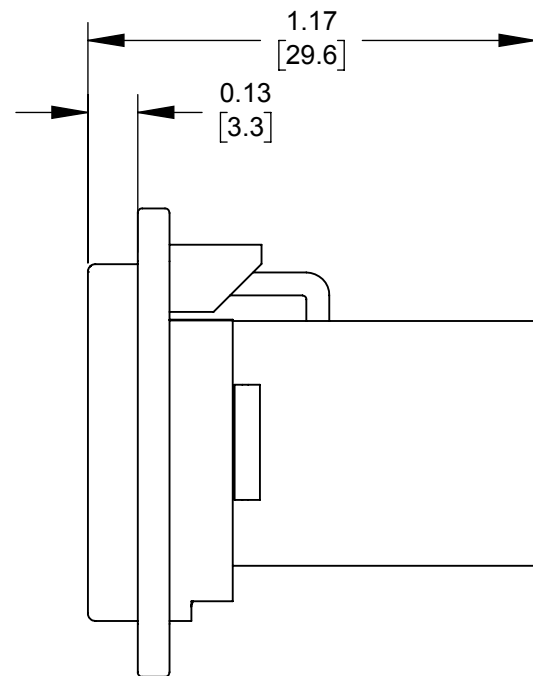


EHRJ45D6 SHOWN



MOUNTING HOLE (2) PLACES SEE TABLE



PART NUMBER	MOUNTING FLANGE FINISH	MOUNTING HOLE
EHRJ45D6	NICKEL	Ø0.138 [3.50] THRU-HOLE
EHRJ45D6B	BLACK CHROME	Ø0.138 [3.50] THRU-HOLE
EHRJ45D6440	NICKEL	#4-40 THREAD
EHRJ45D6B440	BLACK CHROME	#4-40 THREAD
EHRJ45D6M3	NICKEL	M3 X 0.5 THREAD
EHRJ45D6BM3	BLACK CHROME	M3 X 0.5 THREAD

NOTES:

- SHIPPED ASSEMBLED WITHOUT PANEL MOUNTING HARDWARE. ADD "PKG" SUFFIX TO INCLUDE MOUNTING SCREWS AND INDIVIDUAL PACKAGING.
- MATERIALS:  
MOUNTING FLANGE - ZINC ALLOY, SEE TABLE FOR FINISH  
RJ45 BODY - THERMOPLASTIC, BLACK  
RJ45 CONTACTS - COPPER ALLOY, GOLD PLATED
- SPECIFICATIONS:  
RJ45 CONNECTOR MEETS TIA/EIA-568 STANDARD.  
PHYSICAL CHARACTERISTICS  
INSERTION LIFE: 750 MATING CYCLES WITH FCC PLUG  
OPERATING TEMP: -10°C TO +60°C (14°F TO +140°F)  
ELECTRICAL  
INSULATION RESISTANCE: 500MOHM  
DIELECTRIC WITHSTANDING VOLTAGE: 1000V  
DC CURRENT RATING: 1.5 AMPS  
DC RESISTANCE: 0.1OHM  
CONTACT RESISTANCE: 20mOHM
- THESE PRODUCTS ARE RoHS COMPLIANT.

REV	ECO NUMBER	DATE	BY	APVD
0A	CREATED FOR PDR 18006	6/21/19	JGK	*
REVISIONS				

UNLESS OTHERWISE SPECIFIED  
1. ALL DIMENSIONS IN INCHES [mm]  
- TWO PLACE DECIMALS ±0.02 [0.5]  
- THREE PLACE DECIMALS ±0.005 [0.13]

DO NOT SCALE DRAWING

THIS DRAWING DESCRIBES A DESIGN CONSIDERED PROPRIETARY IN NATURE, DEVELOPED AND MANUFACTURED BY SWITCHCRAFT INC. AND IS RELEASED ON A CONFIDENTIAL BASIS FOR IDENTIFICATION PURPOSES ONLY.									
SIZE	WIDTH	MULT	LBS/M	TEMPER					
FINISH					MATERIAL				
SPEC No.					SPEC No.				
FIRST USED ON				SCALE					
				2:1					
DATE DRAWN	BY	CHKD	APVD						
6/21/19	JGK	JGK	TJK						
		7/10/19	7/10/19						
NAME								PART No.	
METAL FLANGE, REAR MOUNT RJ45, CAT6 CONNECTOR, UNSHIELDED, RoHS								EHRJ45D6 SERIES	
								REV	
								0A	

# Mouser Electronics

Authorized Distributor

Click to View Pricing, Inventory, Delivery & Lifecycle Information:

[Switchcraft:](#)

[EHRJ45D6B440](#) [EHRJ45D6440](#) [EHRJ45D6M3](#) [EHRJ45D6B](#) [EHRJ45D6BM3](#) [EHRJ45D6](#)