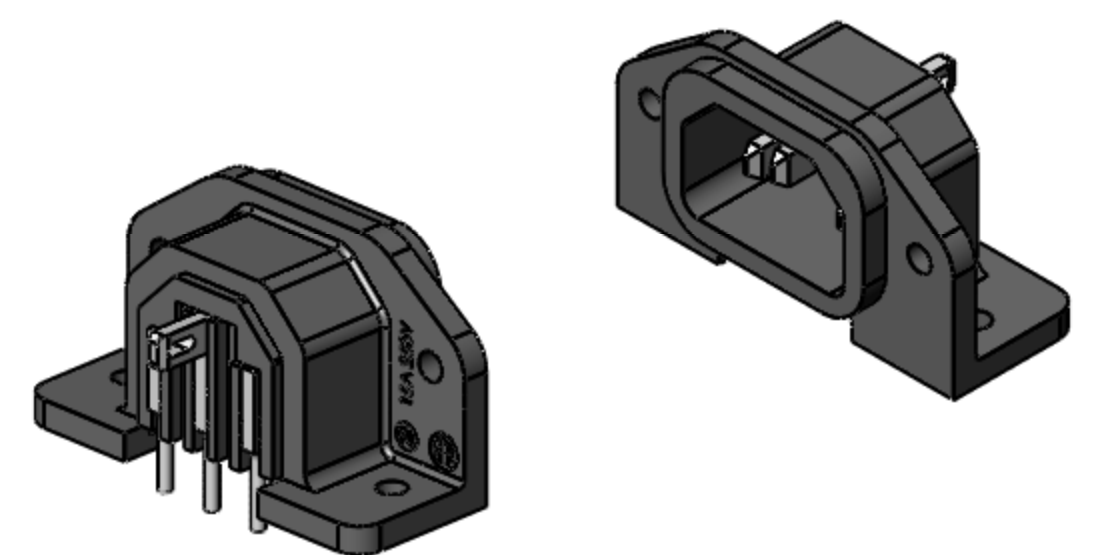


- NOTES:
1. MEETS IEC 60320 SPECIFICATION.
 2. AGENCY APPROVAL & RATING:
VDE: 10A, 250V AC.
UL & CSA: 15A, 250V AC.
 3. MATERIALS:
HOUSING AND COVER, BLACK THERMOPLASTIC.
TERMINALS, TIN PLATED COPPER ALLOY.
 4. THIS PRODUCT IS RoHS COMPLIANT.



CUSTOMER DRAWING

UNLESS OTHERWISE SPECIFIED				THIS DRAWING DESCRIBES A DESIGN CONSIDERED PROPRIETARY IN NATURE, DEVELOPED AND MANUFACTURED BY SWITCHCRAFT INC. AND IS RELEASED ON A CONFIDENTIAL BASIS FOR IDENTIFICATION PURPOSES ONLY.					
1. ALL DIMENSIONS IN INCHES				SIZE	WIDTH	MULT	LBS/M	TEMPER	
- TWO PLACE DECIMALS ± 0.02				FINISH SPEC No.		MATERIAL SPEC No.			
- THREE PLACE DECIMALS ± 0.005				FIRST USED ON		SCALE 3:1			
L	26887	11/29/11	BL TJK	DATE DRAWN	BY	CHKD	APVD	Switchcraft®	
K	24129	03/27/02	BL TJK	05/05/89	TJK	GHJ	RV		
REV	ECO NUMBER	DATE	BY	APVD	NAME MALE AC RECEPTACLE RIGHT ANGLE PC MOUNT, RoHS		PART No.	SHEET 1 OF 1	
REVISIONS				DO NOT SCALE DRAWING				EAC333	REV L

Mouser Electronics

Authorized Distributor

Click to View Pricing, Inventory, Delivery & Lifecycle Information:

[Switchcraft:](#)

[EAC333](#)