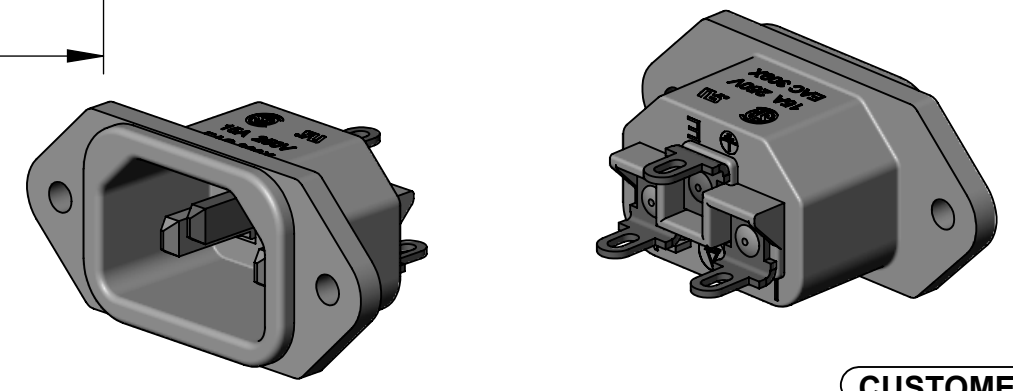


NOTES:

- 1. AGENCY IDENTIFICATION & RATING:  
UL & CSA: 15A 250V
- 2. MEETS IEC 60320 SPECIFICATION
- 3. MATERIALS:  
HOUSING: BLACK POLYESTER  
TERMINALS: TIN PLATED COPPER ALLOY  
CONTACT PINS: TIN PLATED COPPER ALLOY
- 4. THIS PRODUCT IS RoHS COMPLIANT.



**CUSTOMER DRAWING**

REV	ECO NUMBER	DATE	BY	APVD
B	28175	6/4/19	TJK	TJK
A	26895	12/16/11	BL	TJK
REVISIONS				

UNLESS OTHERWISE SPECIFIED

1. ALL DIMENSIONS IN INCHES

- TWO PLACE DECIMALS ±0.02

- THREE PLACE DECIMALS ±0.005

**DO NOT SCALE DRAWING**

THIS DRAWING DESCRIBES A DESIGN CONSIDERED PROPRIETARY IN NATURE, DEVELOPED AND MANUFACTURED BY SWITCHCRAFT INC. AND IS RELEASED ON A CONFIDENTIAL BASIS FOR IDENTIFICATION PURPOSES ONLY.									
SIZE	WIDTH	MULT	LBS/M	TEMPER					
FINISH SPEC No.					MATERIAL SPEC No.				
FIRST USED ON					SCALE 2:1				
DATE DRAWN	BY	CHKD	APVD						
11/17/11	BL	BL	TJK						
			11/17/11						
NAME MALE AC RECEPTACLE STD SOLDER TERMINALS, RoHS								PART No. EAC309X	
								REV B	

# Mouser Electronics

Authorized Distributor

Click to View Pricing, Inventory, Delivery & Lifecycle Information:

[Switchcraft:](#)

[EAC309X](#)