

**NOTES:**

1. DCP-US3AB-US3C SHOWN IN EXPLODED VIEW. (USB 3.0 TYPE A RECEPTACLE TO USB 3.0 MICRO TYPE AB WITH QUICK CONNECT COUPLING.)
2. THE USB 3.0 RECEPTACLE STYLES ARE STANDARD TYPE "A" TO MICRO "AB".
3. THE DIMENSION DOES NOT INCLUDE GASKET COMPRESSION.
4. THE PINOUT AND DIMENSIONS ARE TYPICAL FOR ALL VERSIONS.
5. UNLESS OTHERWISE SPECIFIED, DIMENSIONS WITH TWO DECIMAL PLACES HAVE TOLERANCES OF  $\pm 0.02$  [ $\pm 0.5$  mm].

**MATERIALS:**

GASKET: ELASTOMER, BLACK  
 HEX NUT: THERMOPLASTIC, BLACK  
 USB PANEL HOUSING: THERMOPLASTIC, BLACK  
 USB "A" RECEPTACLE:  
 SHELL: COPPER ALLOY, NICKEL PLATED  
 CONTACTS: COPPER ALLOY, GOLD PLATED  
 INSULATOR: THERMOPLASTIC, BLUE  
 USB MICRO "AB" RECEPTACLE:  
 SHELL: COPPER ALLOY, NICKEL PLATED  
 CONTACTS: COPPER ALLOY, GOLD PLATED  
 INSULATOR: THERMOPLASTIC, BLACK  
 PCB: FR-4

**ELECTRICAL:**

CURRENT RATING: 1.5 A  
 CONTACT RESISTANCE: 50 MILLIOHMS MAX  
 INSULATION RESISTANCE: 100 MEGAOHMS MINIMUM  
 DIELECTRIC WITHSTANDING VOLTAGE: 100V AC FOR 1 MINUTE

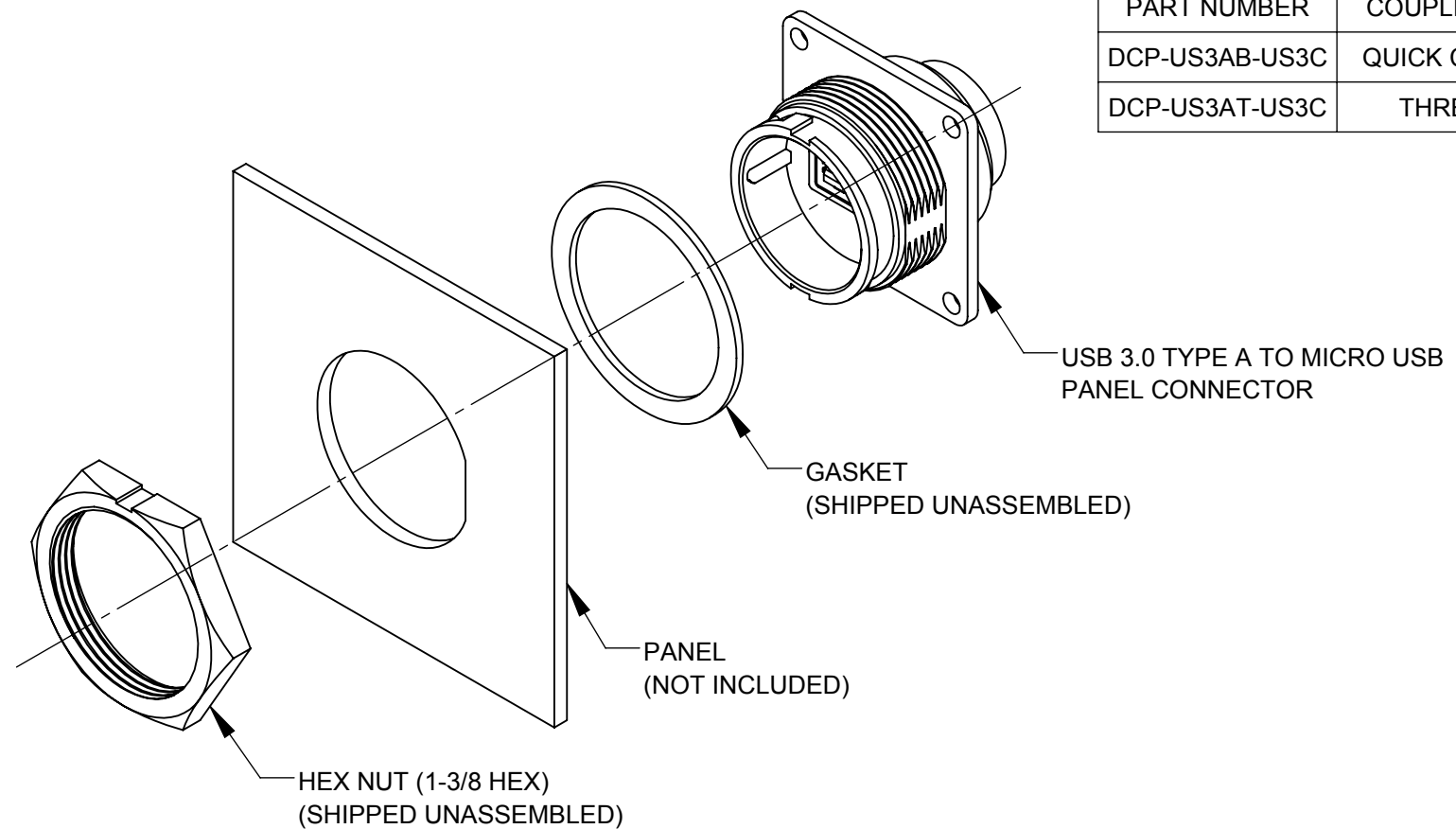
**PRODUCT RATING:**

IP-67 & IP-68, NEMA 250 (6P), WHEN MATED

**OTHER:**

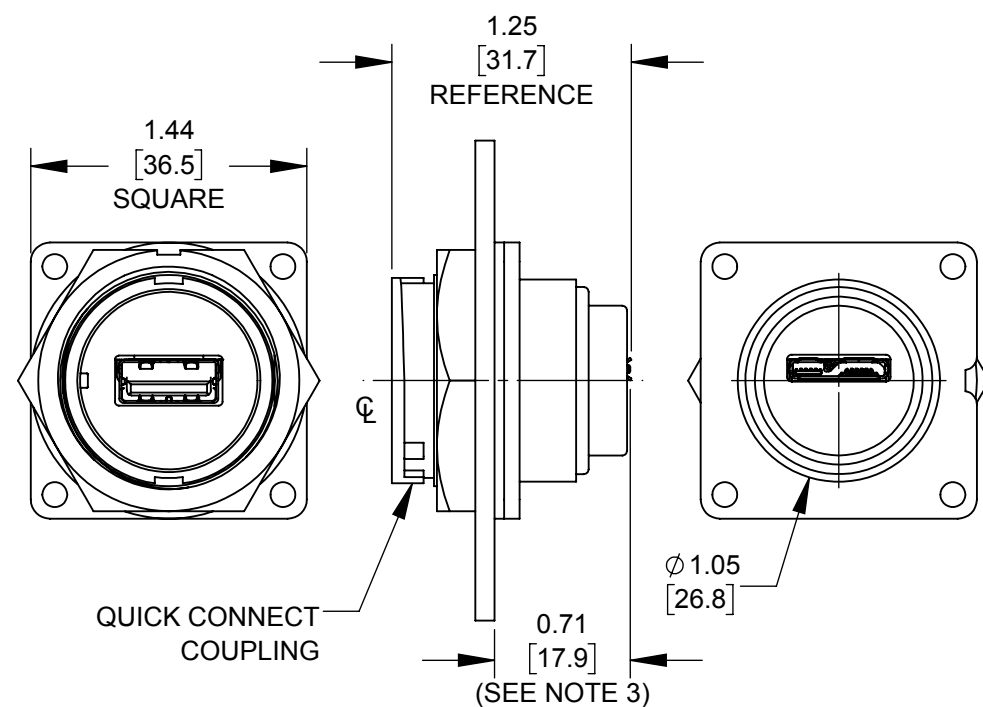
OPERATING TEMPERATURE:  $-25^{\circ}\text{C}$  TO  $+80^{\circ}\text{C}$  [ $-13^{\circ}\text{F}$  TO  $+176^{\circ}\text{F}$ ]  
 RECOMMENDED PANEL THICKNESS:  
 QUICK CONNECT COUPLING: 1/32" TO 3/16" (0.8mm to 4.8mm)  
 THREADED COUPLING: 1/32" TO 5/32" (0.8mm to 3.9mm)

PART NUMBER	COUPLING TYPE	DESCRIPTION
DCP-US3AB-US3C	QUICK CONNECT	USB 3.0 TYPE A TO MICRO 3.0 AB
DCP-US3AT-US3C	THREADED	USB 3.0 TYPE A TO MICRO 3.0 AB



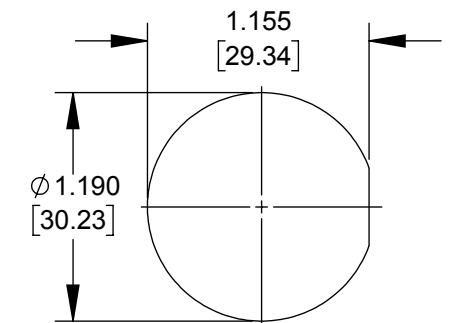
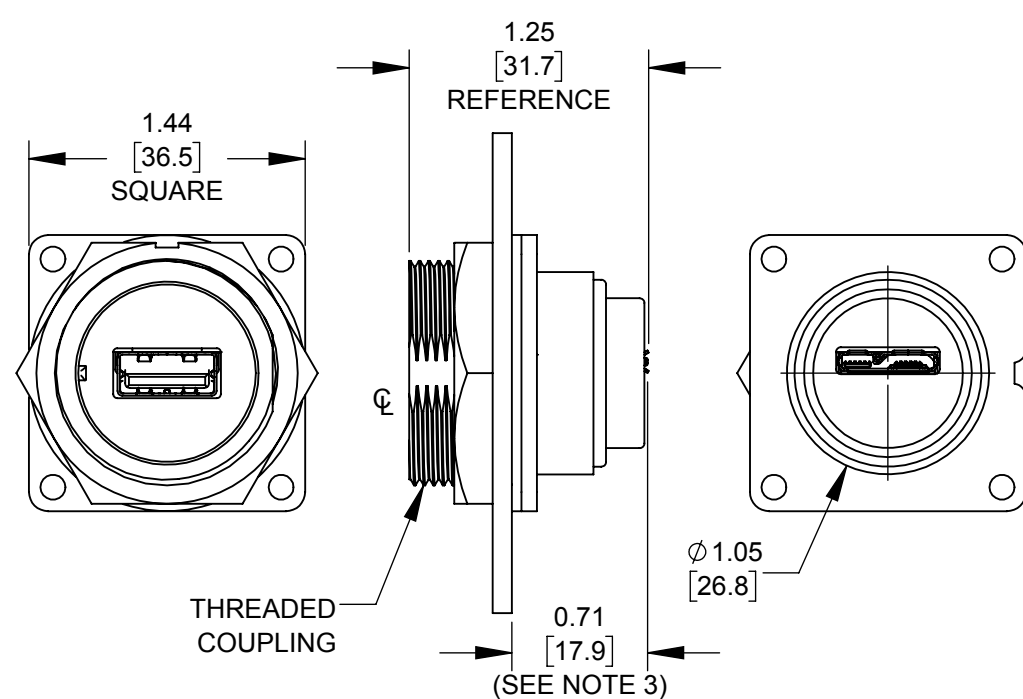
**DCP-US3AB-US3C SHOWN**

(USB 3.0 TYPE A TO MICRO 3.0 WITH QUICK CONNECT COUPLING)



**DCP-US3AT-US3C SHOWN**

(USB 3.0 TYPE A TO MICRO 3.0 WITH THREADED COUPLING)



DIMENSIONS IN BRACKET [ ] ARE METRIC.

**RoHS COMPLIANT**

**PRELIMINARY**

**CUSTOMER DRAWING**

0A	JGK	4/24/17	DRAWING CREATED FOR PROJECT #12012.	
REV.	INIT.	DATE	DESCRIPTION	
	JGK	4/24/17	ORIG. DRAWN BY: DATE: 4/24/17	
ALL INFORMATION ILLUSTRATED IS THE PROPERTY OF CONXALL CORPORATION. UNAUTHORIZED DUPLICATION OR DISTRIBUTION OF THIS DOCUMENT IS PROHIBITED.			CHECKED BY:	
ALL UNITS ARE IN FEET, INCHES, FRACTION OF INCHES AND DECIMALS. UNLESS OTHERWISE SPECIFIED TOLERANCES: 3 PLACE DECIMALS $\pm 0.005$ ANGLES $\pm 1^{\circ}$ FRACTIONS $\pm 1/16$			APPROVED BY:	
- CRITICAL CHARACTERISTIC FLAG PER SPEC. XXXX			SCALE: 1:1	SHEET: 1 OF 1
FILE: DCP-US3AX SERIES_CD	DIRECTORY: SLW	PART NUMBER: DCP-US3AX-US3C SERIES	TITLE: USB A 3.0 TO MICRO AB 3.0 INDUSTRIAL PANEL CONNECTOR DATA-CON-X	
			CUSTOMER: STANDARD PRODUCT	
			REV 0A	



601 E. WILDWOOD VILLA PARK, IL 60181

# Mouser Electronics

Authorized Distributor

Click to View Pricing, Inventory, Delivery & Lifecycle Information:

[Switchcraft:](#)

[DCP-US3AT-US3C](#) [DCP-US3AB-US3C](#)