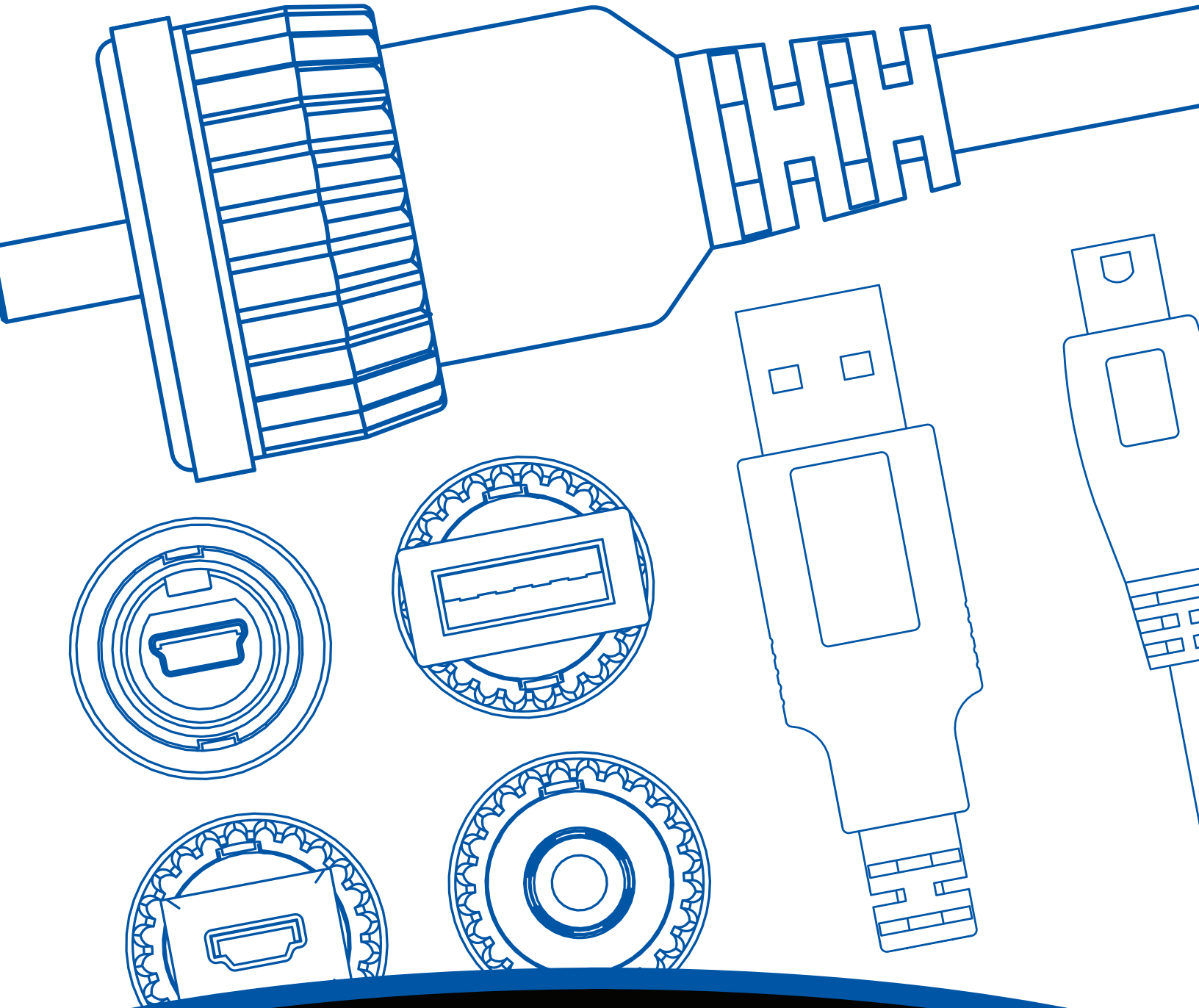


CONXALL®

A SWITCHCRAFT COMPANY



SEALED MINI USB CABLES

NPB | C715

SEALED MINI USB CABLES

NPB | C715



FEATURES & BENEFITS

- Sealed to IP67 & IP68 NEMA 250 (6P) when mated
- Easy to assemble
- Quick connect bayonet style interface
- RoHS Compliant

APPLICATIONS

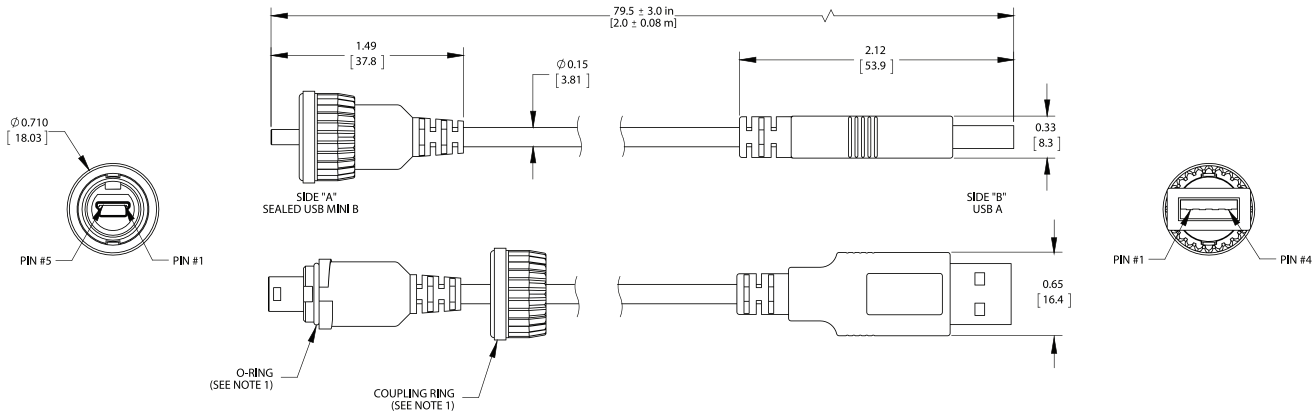
- Any sealed data transmission
- Military or industrial GPS location devices
- Instrumentation
- Medical data carts
- Data acquisition units
- General industrial applications

PLEASE VISIT WWW.CONXALL.COM FOR THE MOST UP-TO-DATE PRODUCT SPECIFICATIONS.

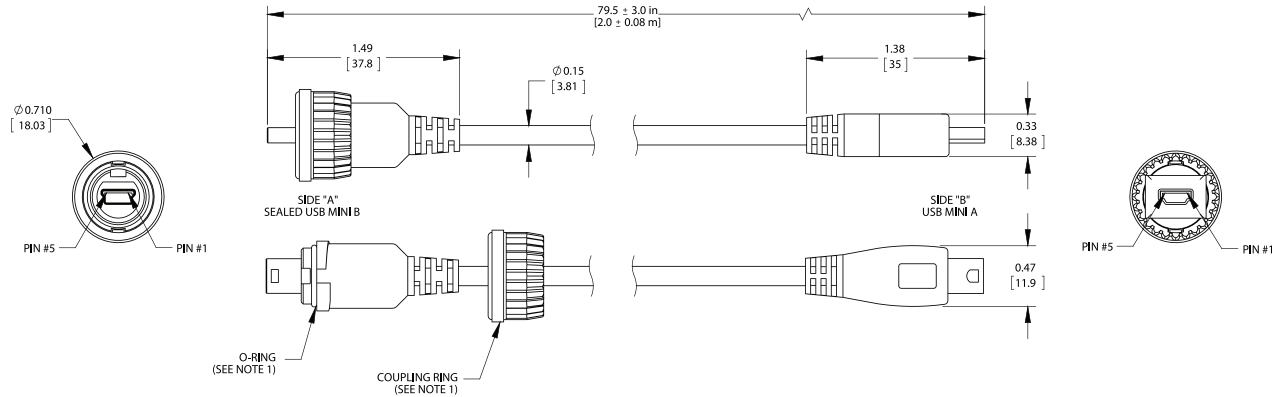
SEALED MINI USB CABLES

NPB | C715

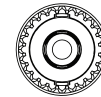
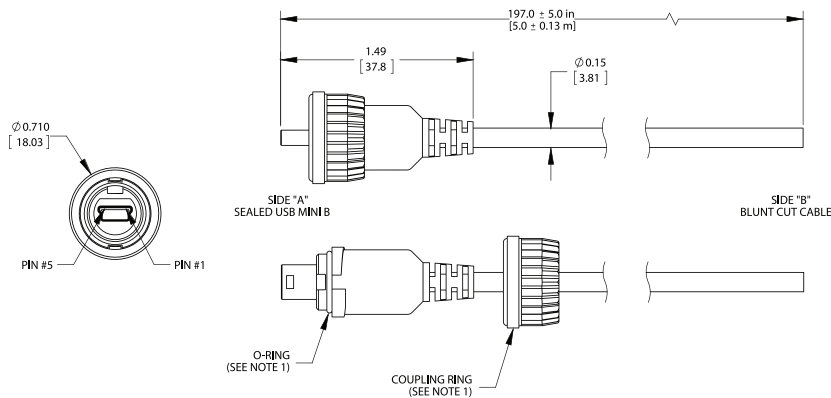
DCM-USBNB-USBAR2
Sealed USB 2.0
Mini B Plug to
USB 2.0 A Plug



DCM-USBNB-USMAR2
Sealed USB 2.0
Mini B Plug to
USB 2.0 Mini A Plug



DCM-USBNB-R5
Sealed USB 2.0
Mini B Plug to
Blunt Cut Cable



PIN ASSIGNMENT	
USB MINI B	CABLE
1	RED
2	WHITE, TWISTED PAIR
3	GREEN, TWISTED PAIR
4	NO CONNECTION
5	BLACK
SHIELD	BRAID

NOTE 1: THE O-RING & COUPLING RING COME PRE ASSEMBLED ON THE CABLE.
UNITS ARE LISTED IN INCHES [MM]. ALL DIMENSIONS ARE REFERENCE ONLY.

SEALED MINI USB CABLES

NPB | C715

SPECIFICATIONS

MECHANICAL SPECIFICATIONS

Life:	500 Insertion/ Withdrawal Cycles Minimum
Vibration:	Mil-Std 202G Method 201A
Coupling Locking Style:	Quick Connect (Bayonet)

ELECTRICAL SPECIFICATIONS

Tested Per USB 2.0 Specifications

ENVIRONMENTAL SPECIFICATIONS

Operating Temperature Rating:	-20 °C to +75 °C (-4°F to +167°F)
Moisture Resistance:	Mil-Std 202G Method 106G
Insulation Resistance:	Mil-Std 202G Method 302
Thermal Shock:	Mil-Std 202G Method 107G
Salt Atmosphere (Corrosion):	Mil-Std 202G Method 101E
Weathertight:	IP67 & IP68, NEMA 250 (6P) (when mated)

MATERIAL SPECIFICATIONS

Coupling Nut:	Thermoplastic
O-Ring:	Elastomer
Overmold Body & Flex Relief:	Thermoplastic
USB A, Mini-B, Mini-A Plugs:	
Insulator:	Thermoplastic UL94V-0, Black
Contacts:	Copper Alloy, Gold Plated (Contact Area)
Metal Shield:	Steel, Nickel Plated

OTHER

Recommended Panel Thickness:	0.031-0.187 inches [0.8mm-4.8mm]
------------------------------	----------------------------------

Mouser Electronics

Authorized Distributor

Click to View Pricing, Inventory, Delivery & Lifecycle Information:

[Switchcraft:](#)

[DCM-USBNB-USMAR2](#) [DCM-USBNB-USBAR2](#) [DCM-USBNB-R5](#)