

CUSTOMER PRINT

PART NUMBER: DCM-USBCB-R2

**NOTES:**

1. THE O-RING & COUPLING RING COME PRE-ASSEMBLED ON THE CABLE.
2. THE CABLE IS INDIVIDUALLY PACKAGED.
3. THE DIMENSIONS IN BRACKET [ ] ARE METRIC.
4. UNLESS OTHERWISE SPECIFIED, THE TOLERANCES FOR TWO DECIMAL PLACES ARE ±0.01 [±0.25mm]

**MATERIALS:**

COUPLING RING: THERMOPLASTIC, BLACK  
 O-RING: ELASTOMER, RED  
 USB MICRO-B SHELL: COPPER ALLOY, NICKEL PLATED  
 USB MICRO-B INSULATOR: THERMOPLASTIC, BLACK  
 USB MICRO-B CONTACTS: COPPER ALLOY, GOLD FLASH  
 SIDE "A" BODY & FLEX RELIEF: THERMOPLASTIC, BLACK  
 CABLE JACKET: PVC 60P, BLACK  
 CONDUCTOR: 28 AWG STRANDED TINNED COPPER

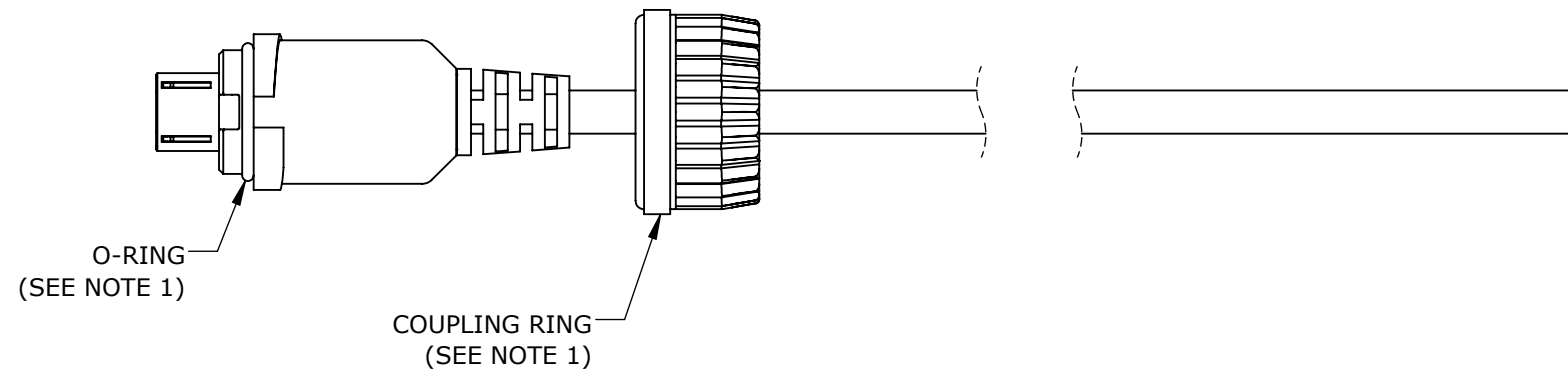
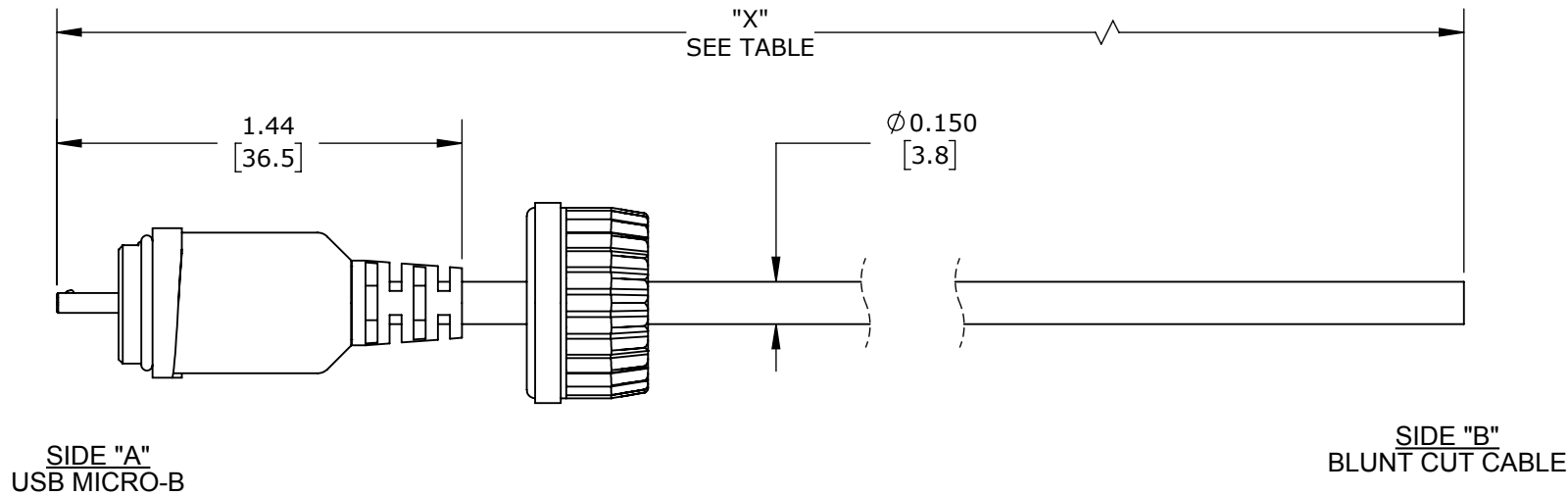
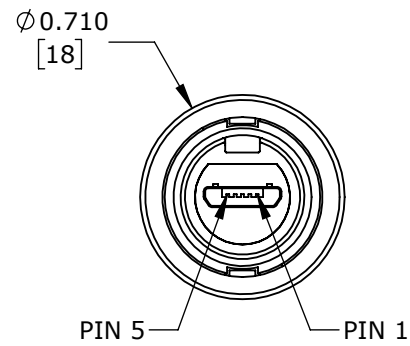
**ELECTRICAL:**

INSULATION RESISTANCE: 100 MΩ MINIMUM  
 DIELECTRIC WITHSTANDING VOLTAGE: 100 VAC  
 CONTACT CURRENT RATING: 1A MINIMUM  
 RATED VOLTAGE: 30 V MAXIMUM

**OTHER:**

TEMPERATURE RANGE: -20°C TO +75°C (-4°F TO +167°F)  
 WEATHERTIGHT RATINGS: IP66 (WHEN MATED)  
 LIFE: 300 CYCLES MINIMUM (COUPLING RING)

PART NUMBER	"X" [mm]	DESCRIPTION
DCM-USBCB-R2	78.7 ± 1.0 [2000 ± 25.4]	SEALED MICRO USB 2.0 TYPE-B TO BLUNT CUT CABLE, 2M LENGTH



PIN ASSIGNMENT	
USB MICRO-B	CABLE
1	RED
2	WHITE, TWISTED PAIR
3	GREEN, TWISTED PAIR
4	NO CONNECTION
5	BLACK
SHIELD	BRAID

**RoHS COMPLIANT**

**CUSTOMER DRAWING**

OC	JGK	01/12/18	DRAWING CREATED FOR PROJECT #09013B.		
REV.	INIT.	DATE	DESCRIPTION		
	JGK	1/12/18	ORIG. DRAWN BY:	DATE:	 601 E. WILDWOOD VILLA PARK, IL 60181
			CHECKED BY:		
<small>ALL INFORMATION ILLUSTRATED IS THE PROPERTY OF "CONXALL CORPORATION." UNAUTHORIZED DUPLICATION OR DISTRIBUTION OF THIS DOCUMENT IS PROHIBITED.</small>			APPROVED BY:	TITLE: USB OVERMOLDED CABLE SERIES MICRO USB 2.0, TYPE B DATA-CON-X	
<small>ALL UNITS ARE IN FEET, INCHES, FRACTION OF INCHES AND DECIMALS.</small>			SCALE:	SIZE:	SHEET:
<small>UNLESS OTHERWISE SPECIFIED TOLERANCES: 3 PLACE DECIMALS ±.005 ANGLES ±1° FRACTIONS ±1/16</small>			1.5:1	B	1 OF 1
<small>△ - CRITICAL CHARACTERISTIC FLAG PER SPEC. XXXX</small>			FILE:	DIRECTORY:	PART NUMBER:
			SAME AS P/N	SLW	DCM-USBCB-R2
					REV OC

# Mouser Electronics

Authorized Distributor

Click to View Pricing, Inventory, Delivery & Lifecycle Information:

[Switchcraft:](#)

[DCM-USBCB-R2](#)