

FIGURE B

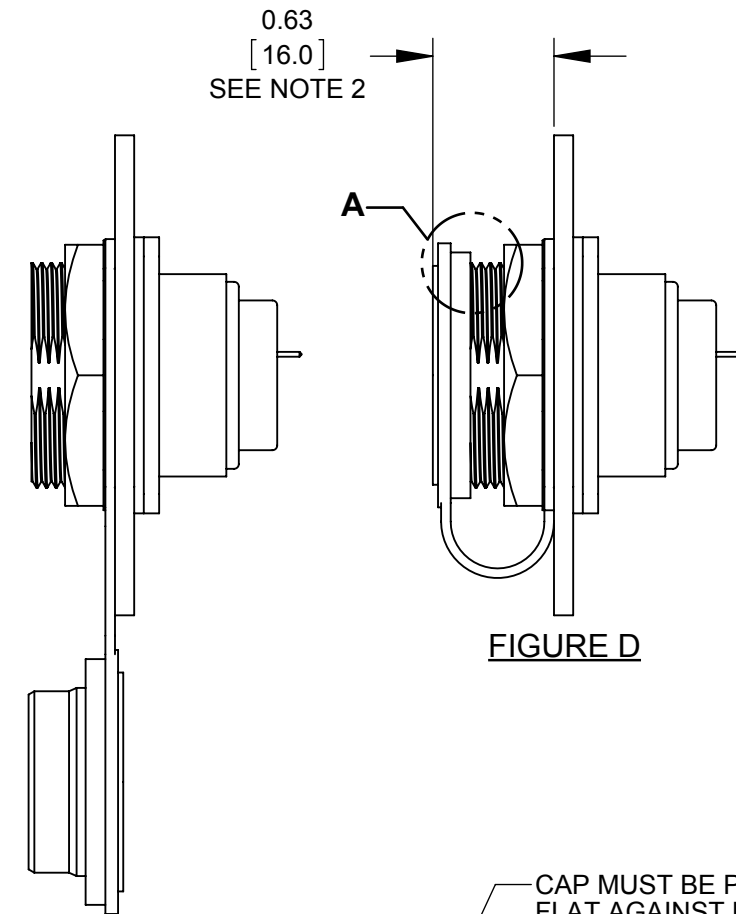
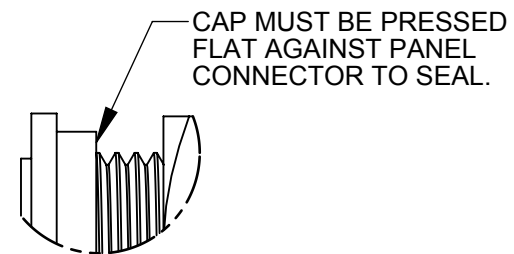
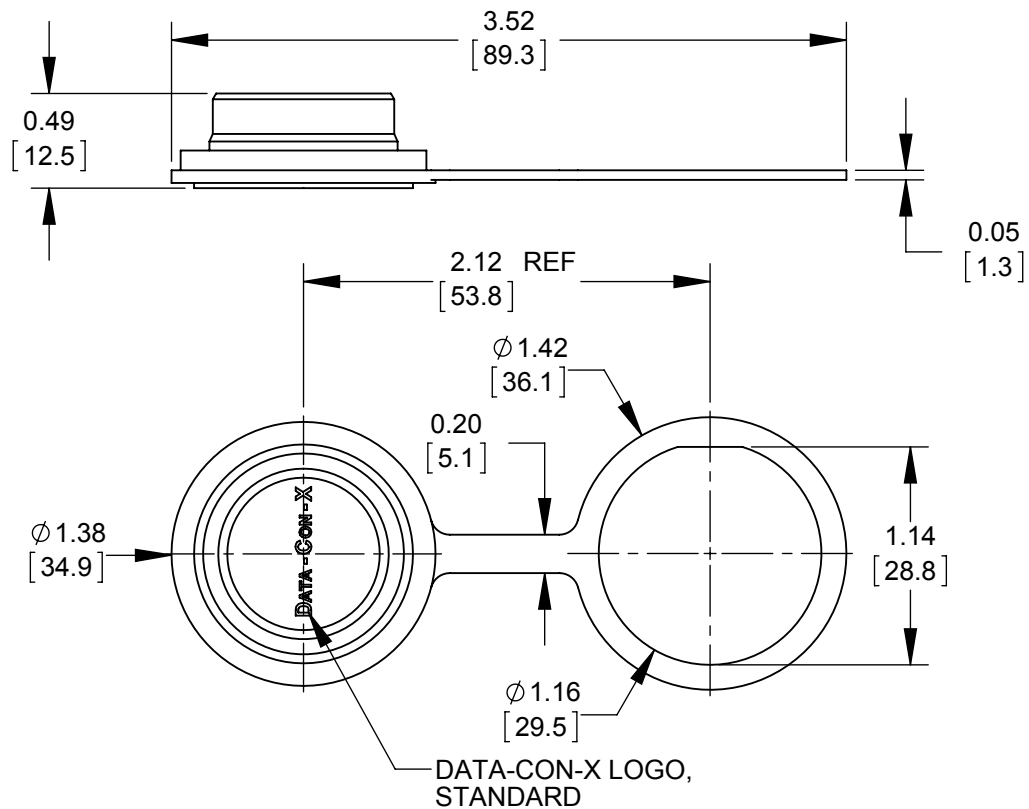


FIGURE C

FIGURE D



DETAIL A SCALE 2 : 1



DIMENSIONS SHOWN FOR REFERENCE ONLY

DIMENSIONS IN BRACKET [] ARE METRIC.

RoHS COMPLIANT

- NOTES:
- D24295-WA CONTAINS ONE SEAL CAP AND ONE FLAT WASHER.
 - THE DIMENSION DOES NOT INCLUDE GASKET COMPRESSION.
 - INSTALL SEAL CAP ON THE CONNECTOR AS SHOWN IN FIGURE A. HEX NUT RECOMMENDED TORQUE: 8-10 lb-in [0.90 - 1.13 N-m].
 - MATERIAL: SEAL CAP - THERMOPLASTIC ELASTOMER, BLACK
WASHER - MYLAR, WHITE
 - UNLESS OTHERWISE SPECIFIED TOLERANCES:
TWO PLACE DECIMALS ±0.02 [±0.5]

CUSTOMER DRAWING

0A	JGK	8/27/15	DRAWING CREATED FOR DATA-CON-X IP CAP.		
REV.	INIT.	DATE	DESCRIPTION		
	JGK	8/27/15	ORIG. DRAWN BY: DATE: 8/27/15		
ALL INFORMATION ILLUSTRATED IS THE PROPERTY OF CONXALL CORPORATION. UNAUTHORIZED DUPLICATION OR DISTRIBUTION OF THIS DOCUMENT IS PROHIBITED.			CHECKED BY:		
ALL UNITS ARE IN FEET, INCHES, FRACTION OF INCHES AND DECIMALS.			APPROVED BY:		
UNLESS OTHERWISE SPECIFIED TOLERANCES: 3 PLACE DECIMALS ±.005 ANGLES ±1° FRACTIONS ±1/16 - CRITICAL CHARACTERISTIC FLAG PER SPEC. XXXX			SCALE	SIZE	SHEET
			1:1	B	1 OF 1
			FILE:	DIRECTORY:	PART NUMBER:
			SAME AS P/N	SLW	D24295-WA
					REV 0A



TITLE: PANEL SEAL CAP
DATA-CON-X SERIES
IP RATED
CUSTOMER: STANDARD PRODUCT

Mouser Electronics

Authorized Distributor

Click to View Pricing, Inventory, Delivery & Lifecycle Information:

[Switchcraft:](#)

[D24295-WA](#)