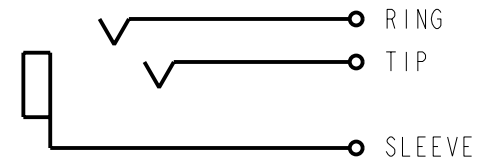
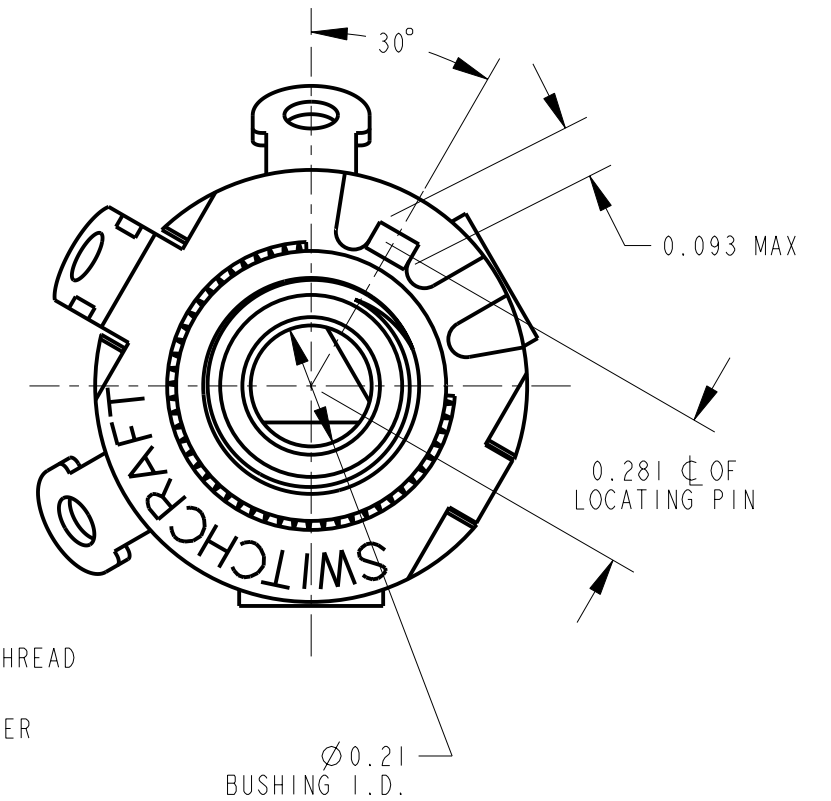
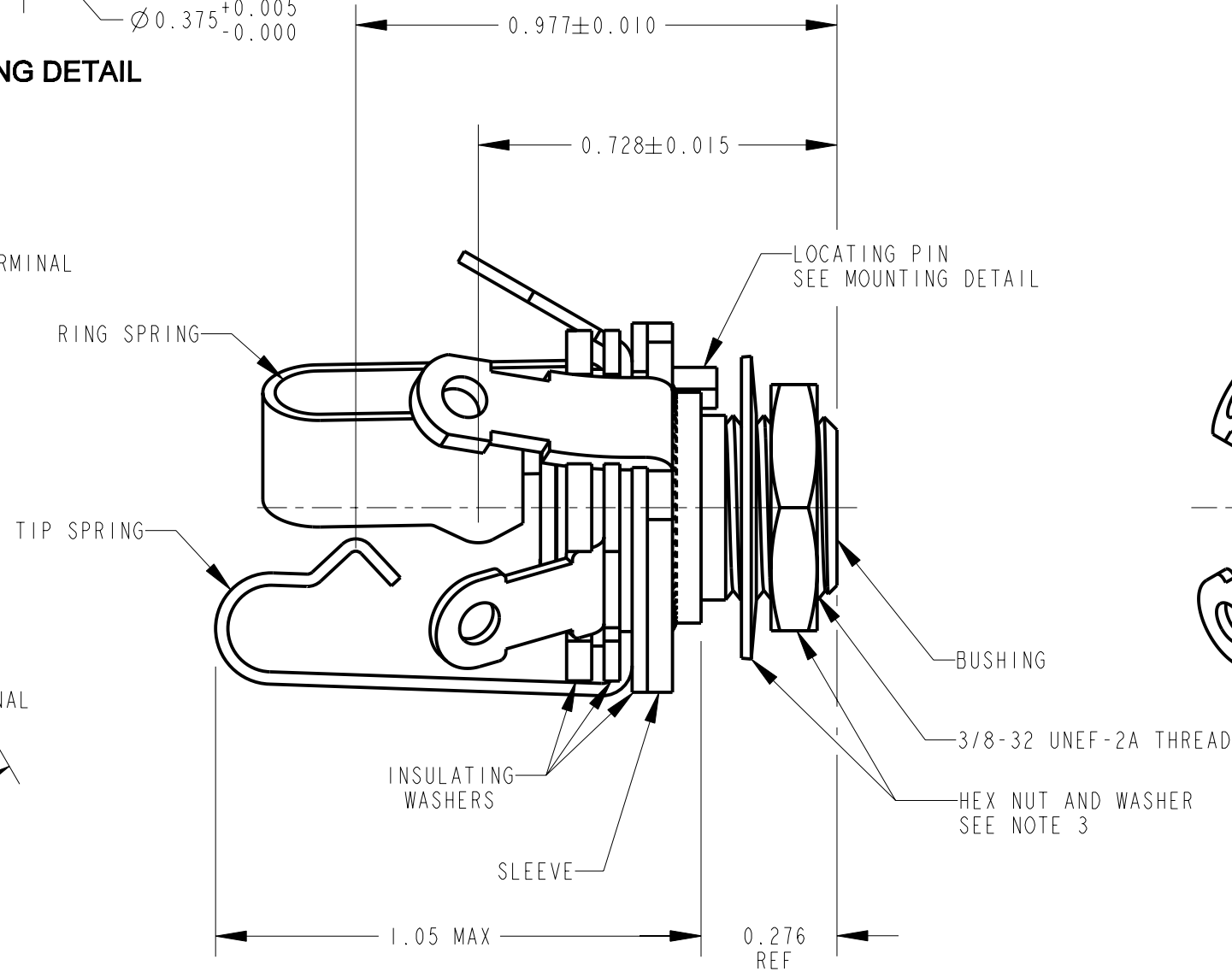
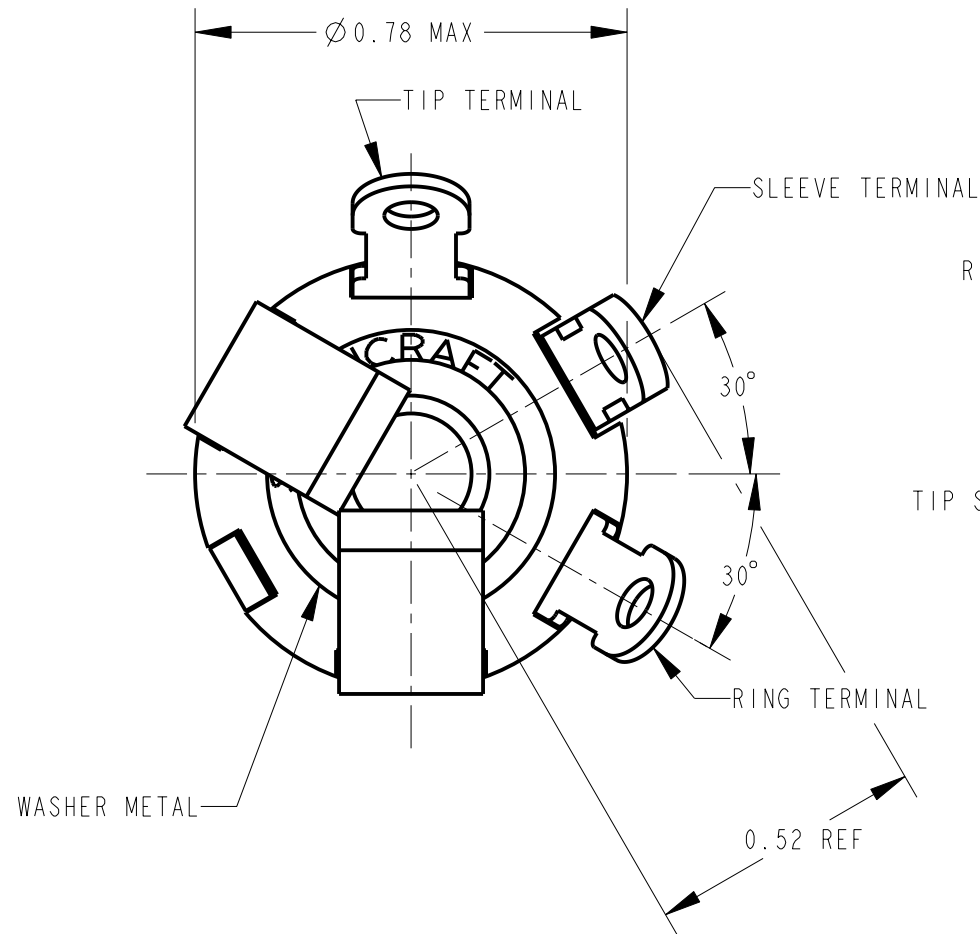
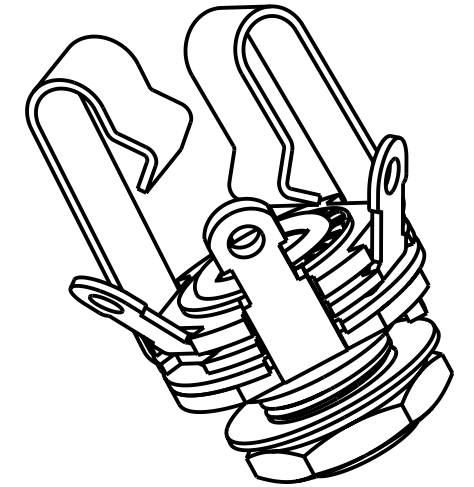


MOUNTING DETAIL



SCHEMATIC



CUSTOMER DRAWING

NOTES:

1. ALL PARTS ARE MECHANICALLY INTERLOCKED
2. MATERIALS:
 BUSHING - COPPER ALLOY, NICKEL PLATED
 SLEEVE TERMINAL - COPPER ALLOY, NICKEL PLATED
 TIP & RING SPRINGS - SPECIAL COPPER ALLOY
 INSULATING WASHERS - PHENOLIC
 METAL WASHER - COPPER ALLOY, NICKEL PLATED
 HARDWARE - COPPER ALLOY, NICKEL PLATED
 TERMINALS ARE TIN DIPPED WITH LEAD FREE SOLDER
3. K180 HEX NUT & K216 WASHER KIT SHIPPED UNASSEMBLED.
4. THIS PRODUCT IS RoHS COMPLIANT.

REV	ECO NUMBER	DATE	BY	APVD
B	27023	9-14-12	TO	TJK
A	25366	6-24-06	TO	TJK
REVISIONS				

★ STAR SYMBOL DENOTES CRITICAL DIMENSION

UNLESS OTHERWISE SPECIFIED

1. ALL DIMENSIONS IN INCHES
 - TWO PLACE DECIMALS ± 0.01
 - THREE PLACE DECIMALS ± 0.005
 - ANGLES $\pm 1^\circ$
 - ALL DIA. CONCENTRIC WITHIN 0.005 T.I.R.
2. FEATURES ON THE SAME CENTERLINE MUST BE ALIGNED WITHIN ± 0.002
3. REMOVE ALL BURRS

DO NOT SCALE DRAWING

THIS DRAWING DESCRIBES A DESIGN CONSIDERED PROPRIETARY IN NATURE, DEVELOPED AND MANUFACTURED BY SWITCHCRAFT INC. AND IS RELEASED ON A CONFIDENTIAL BASIS FOR IDENTIFICATION PURPOSES ONLY.

SIZE	WIDTH	MULT	LBS/M	TEMPER
FINISH		MATERIAL		
SPEC No.		SPEC No.		
FIRST USED ON		SCALE		
		3:1		
DATE DRAWN	BY	CHKD	APVD	
5-Sep-12	TJK	TJK	TJK	
		9/5/12	9/5/12	
NAME				PART No.
LITTEL-JAX				C12BX
FOR PJ-068 PLUG, RoHS				REV
				B

Switchcraft

SHEET 1 OF 1

Mouser Electronics

Authorized Distributor

Click to View Pricing, Inventory, Delivery & Lifecycle Information:

[Switchcraft:](#)

[C12BX](#)