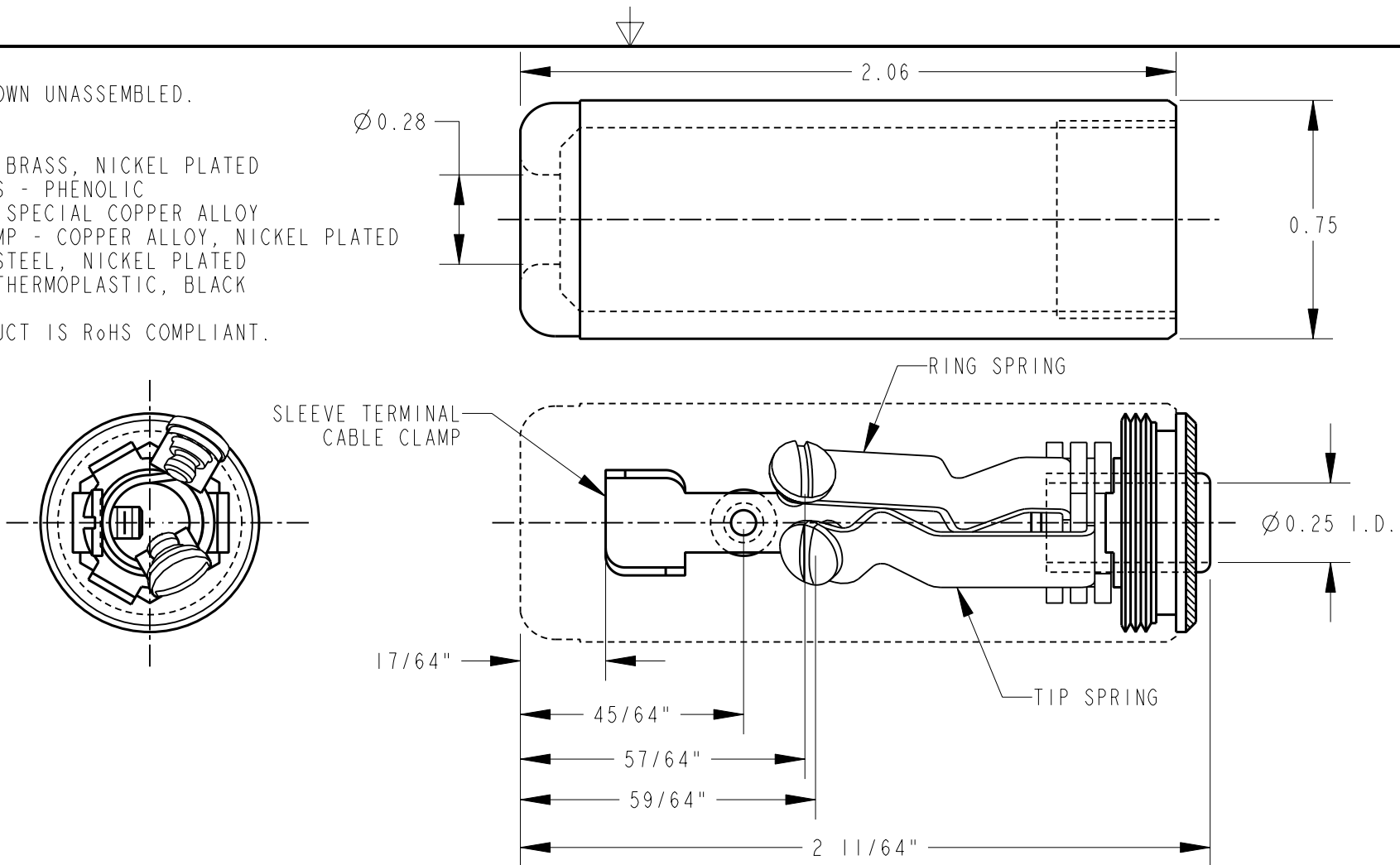


NOTES:
1. HANDLE SHOWN UNASSEMBLED.

2. MATERIALS
 BUSHING - BRASS, NICKEL PLATED
 INSULATORS - PHENOLIC
 SPRINGS - SPECIAL COPPER ALLOY
 CABLE CLAMP - COPPER ALLOY, NICKEL PLATED
 SCREWS - STEEL, NICKEL PLATED
 HANDLE - THERMOPLASTIC, BLACK

3. THIS PRODUCT IS RoHS COMPLIANT.



CUSTOMER DRAWING

					★ STAR SYMBOL DENOTES CRITICAL DIMENSION	THIS DRAWING DESCRIBES A DESIGN CONSIDERED PROPRIETARY IN NATURE, DEVELOPED AND MANUFACTURED BY SWITCHCRAFT INC. AND IS RELEASED ON A CONFIDENTIAL BASIS FOR IDENTIFICATION PURPOSES ONLY.					
					UNLESS OTHERWISE SPECIFIED	SIZE	WIDTH	MULT	LBS/M	TEMPER	
					1. ALL DIMENSIONS IN INCHES - TWO PLACE DECIMALS ±0.01 - THREE PLACE DECIMALS ±0.005 - ANGLES ±1° - ALL DIA. CONCENTRIC WITHIN 0.005 T.I.R.	FINISH				MATERIAL	
					2. FEATURES ON THE SAME CENTERLINE MUST BE ALIGNED WITHIN ±0.002	SPEC No.				SPEC No.	
					3. REMOVE ALL BURRS	FIRST USED ON		SCALE			
						DRAWING SCALE		Switchcraft®			
A	REDRAWN	7/10/14	TJK	TJK	DATE DRAWN	BY	CHKD				APVD
REV	ECO NUMBER	DATE	BY	APVD	10-Jul-14	TJK	TJK	TJK	SHEET OF		
REVISIONS					DO NOT SCALE DRAWING	NAME				PART No.	REV
						3 CONDUCTOR EXTENSION JAX				830	A

Mouser Electronics

Authorized Distributor

Click to View Pricing, Inventory, Delivery & Lifecycle Information:

[Switchcraft:](#)

[830](#)