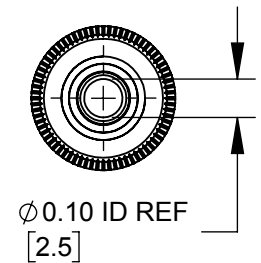
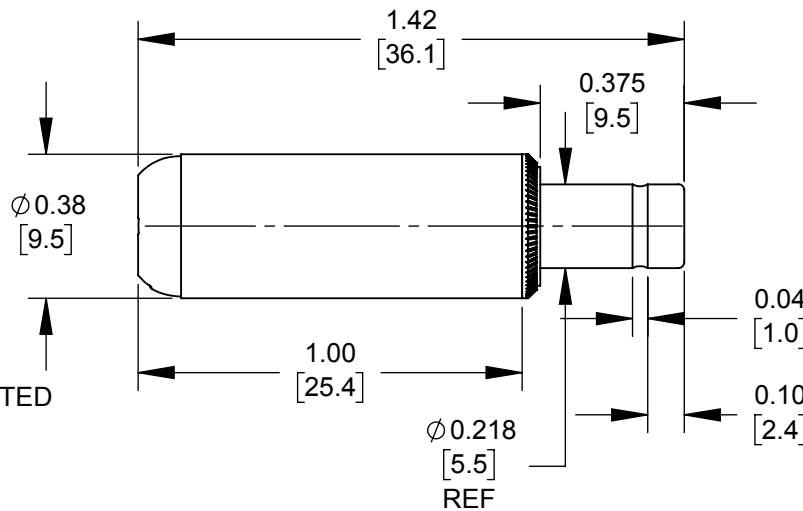
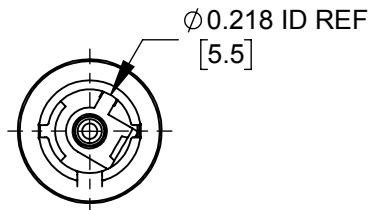


PART NUMBER	HANDLE COLOR
760Z	BLACK
765Z	RED



NOTES:

- MATERIALS:
 CONDUCTORS - COPPER ALLOY, NICKEL PLATED
 TERMINALS - COPPER ALLOY, TIN PLATED
 INSULATORS & HANDLE - THERMOPLASTIC
- THIS PRODUCT IS RoHS COMPLIANT.

CUSTOMER DRAWING

					THIS DRAWING DESCRIBES A DESIGN CONSIDERED PROPRIETARY IN NATURE, DEVELOPED AND MANUFACTURED BY SWITCHCRAFT INC. AND IS RELEASED ON A CONFIDENTIAL BASIS FOR IDENTIFICATION PURPOSES ONLY.				
					SIZE *	WIDTH *	MULT *	LBS/M *	TEMPER *
					FINISH *			MATERIAL *	
					SPEC No. *			SPEC No. *	
					FIRST USED ON *		SCALE 2:1		
0A	FIRST DRAWN	10/23/19	AM	*	DATE DRAWN	BY	CHKD *	APVD *	
					10/23/19	AM	*	*	
REV	ECO NUMBER	DATE	BY	APVD	NAME ϕ 0.10 [2.5]mm X 0.374 LONG IMPROVED POWER PLUG, RoHS			PART No.	REV
REVISIONS					DO NOT SCALE DRAWING			760Z-765Z	0A



Mouser Electronics

Authorized Distributor

Click to View Pricing, Inventory, Delivery & Lifecycle Information:

[Switchcraft:](#)

[760Z](#)