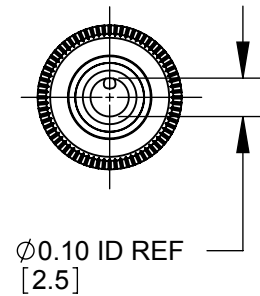
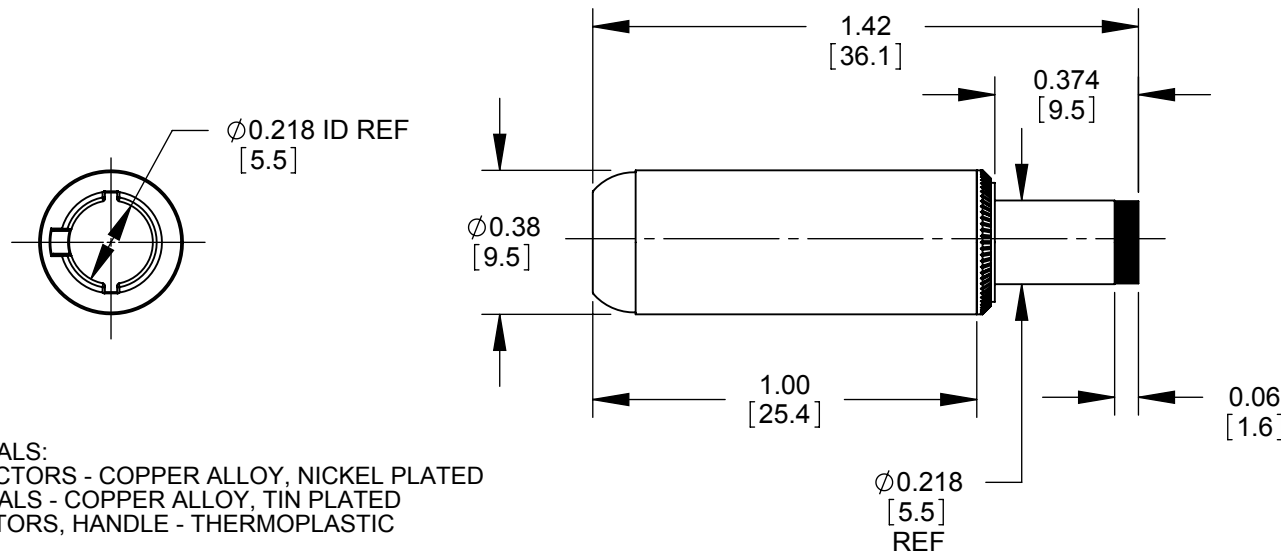
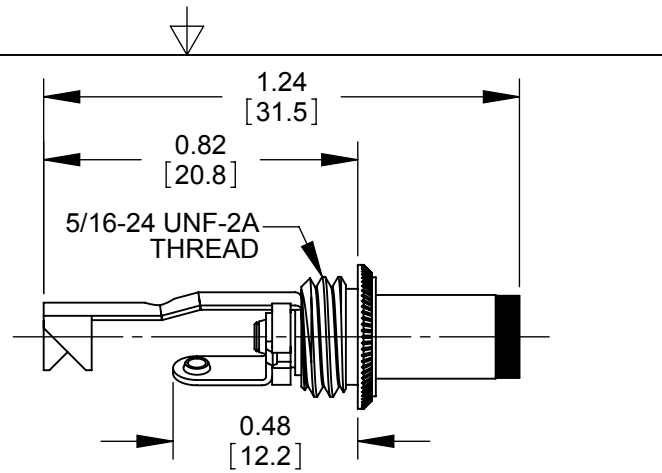
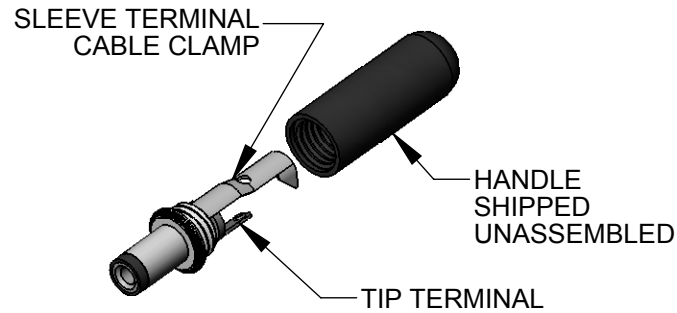


PART NUMBER	HANDLE COLOR
760	BLACK
765	RED



NOTES:

- MATERIALS:  
 CONDUCTORS - COPPER ALLOY, NICKEL PLATED  
 TERMINALS - COPPER ALLOY, TIN PLATED  
 INSULATORS, HANDLE - THERMOPLASTIC
- THIS PRODUCT IS RoHS COMPLIANT.

**CUSTOMER DRAWING**

THIS DRAWING DESCRIBES A DESIGN CONSIDERED PROPRIETARY IN NATURE, DEVELOPED AND MANUFACTURED BY SWITCHCRAFT INC. AND IS RELEASED ON A CONFIDENTIAL BASIS FOR IDENTIFICATION PURPOSES ONLY.

					UNLESS OTHERWISE SPECIFIED					SIZE	WIDTH	MULT	LBS/M	TEMPER		
					1. ALL DIMENSIONS IN INCHES - TWO PLACE DECIMALS ±0.02 - THREE PLACE DECIMALS ±0.005					FINISH		MATERIAL				
										SPEC No.		SPEC No.				
										FIRST USED ON		SCALE 2:1				
D	CAD REDRAW 26679	01-07-11	JEB	TJK						DATE DRAWN	BY	CHKD	APVD	<b>Switchcraft®</b>		
REV	ECO NUMBER	DATE	BY	APVD						5-27-87	LSP	EB 5-27-87	RV 5-27-87		SHEET 1 OF 1	
REVISIONS					DO NOT SCALE DRAWING					NAME Ø0.10 [2.5]mm x 0.374 LONG POWER PLUG, RoHS					PART No. 760-765	REV D



# Mouser Electronics

Authorized Distributor

Click to View Pricing, Inventory, Delivery & Lifecycle Information:

[Switchcraft:](#)

[760](#) [765](#)