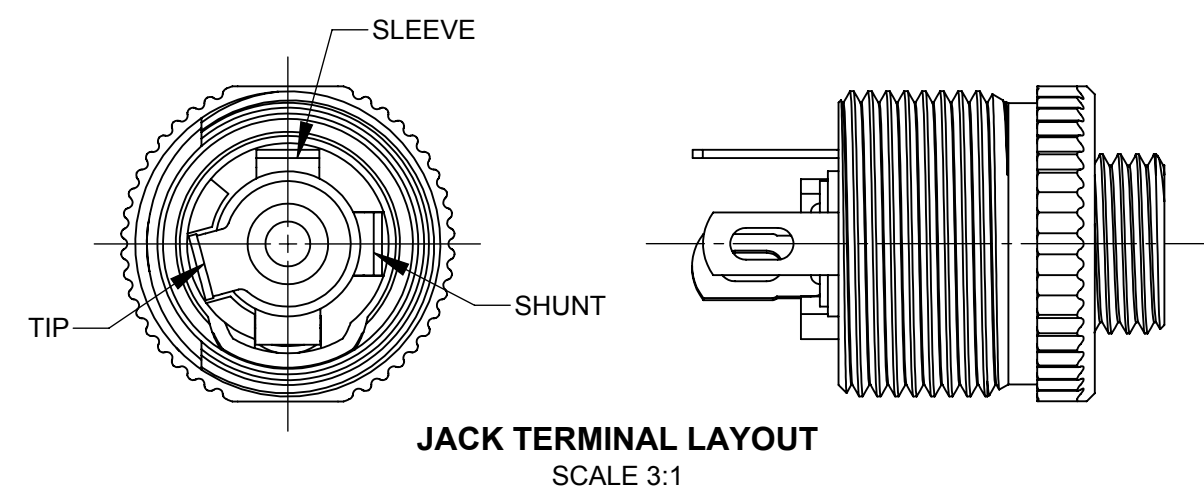


- NOTES:
- MATERIALS:
 HANDLE - THERMOPLASTIC, BLACK
 CABLE CLAMP - THERMOPLASTIC, BLACK
 FLEX RELIEF - THERMOPLASTIC ELASTOMER
 BUSHING - THERMOPLASTIC, BLACK
 POWER JACK:
 HOUSING - COPPER ALLOY, NICKEL PLATED
 INSULATOR HOUSING - THERMOPLASTIC, BLACK
 TERMINAL INSULATORS - PHENOLIC
 PIN, SPRING, TERMINALS - COPPER ALLOY, SILVER PLATED
 - THESE PARTS ARE CURRENT CARRY ONLY NOT TO BE USED FOR CONNECT OR DISCONNECT UNDER LOAD.
 - SHIPPED UNASSEMBLED.
 - THESE PRODUCTS ARE RoHS COMPLIANT

	PART NUMBER	FLEX RELIEF	CABLE RANGE
	712AC	NONE	Ø0.324 [8.23]
B	712ACF	YES	Ø0.190 [4.83] - Ø0.220 [5.59]
	712ACFL	YES	Ø0.220 [5.59] - Ø0.250 [6.35]
	722AC	NONE	Ø0.324 [8.23]
B	722ACF	YES	Ø0.190 [4.83] - Ø0.220 [5.59]
	722ACFL	YES	Ø0.220 [5.59] - Ø0.250 [6.35]
	732AC	NONE	Ø0.324 [8.23]
B	732ACF	YES	Ø0.190 [4.83] - Ø0.220 [5.59]
	732ACFL	YES	Ø0.220 [5.59] - Ø0.250 [6.35]



UNLESS OTHERWISE SPECIFIED				THIS DRAWING DESCRIBES A DESIGN CONSIDERED PROPRIETARY IN NATURE, DEVELOPED AND MANUFACTURED BY SWITCHCRAFT INC. AND IS RELEASED ON A CONFIDENTIAL BASIS FOR IDENTIFICATION PURPOSES ONLY.				
1. ALL DIMENSIONS IN INCHES [mm]				SIZE	WIDTH	MULT	LBS/M	TEMPER
- TWO PLACE DECIMALS ±0.02 [0.5]				FINISH		MATERIAL		
- THREE PLACE DECIMALS ±0.005 [0.13]				FIRST USED ON		SCALE		
B	28009	3-14-18	PC	TJK	3:2		Switchcraft®	
A	ECO 27926	8-17-17	SRC	TJK	DATE DRAWN	BY	CHKD	APVD
REVISIONS				12-28-16	SRC	8-10-17	8-17-17	
DO NOT SCALE DRAWING				NAME				CABLE POWER JACKS, RoHS
				PART No.				712AC-732AC 712ACF-732ACF 712ACFL-732ACFL
				SHEET				1 OF 1
				REV				B

Mouser Electronics

Authorized Distributor

Click to View Pricing, Inventory, Delivery & Lifecycle Information:

[Switchcraft:](#)

[722ACF](#)