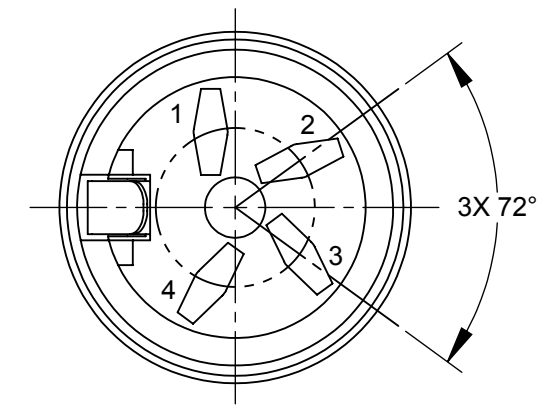
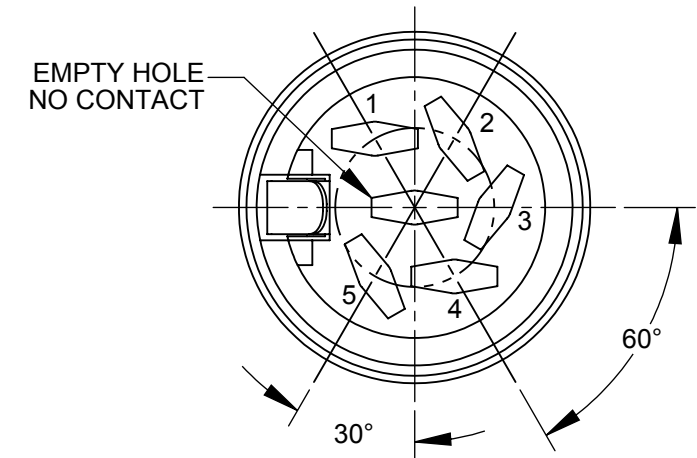


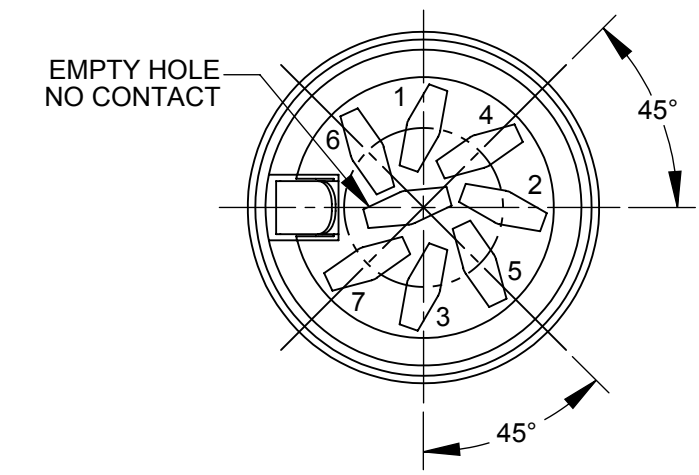
57NC5FX
5 CONTACTS AT 180°



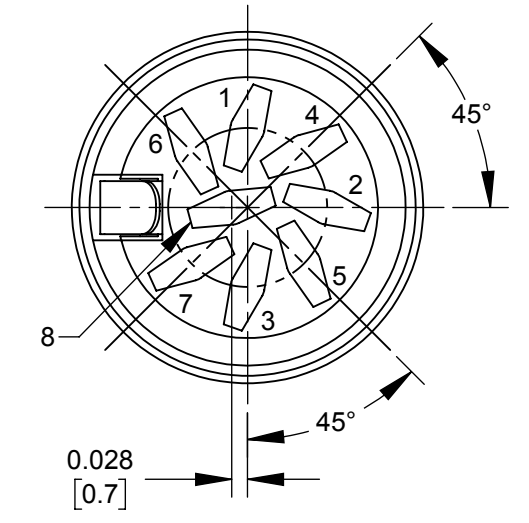
60NC4FX
4 CONTACTS AT 216°



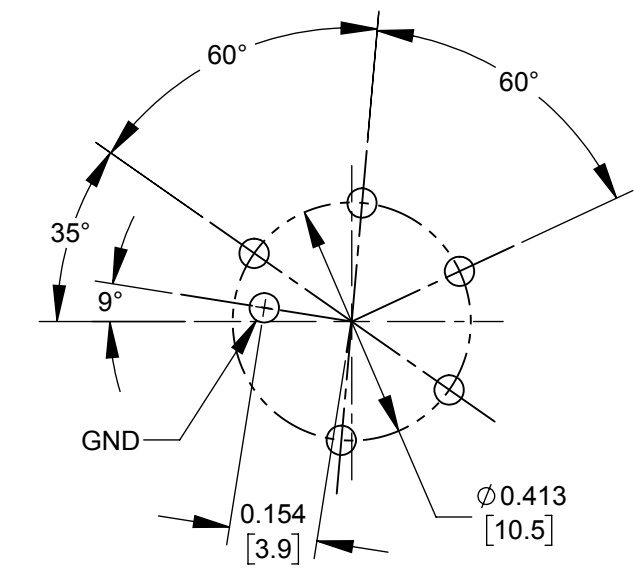
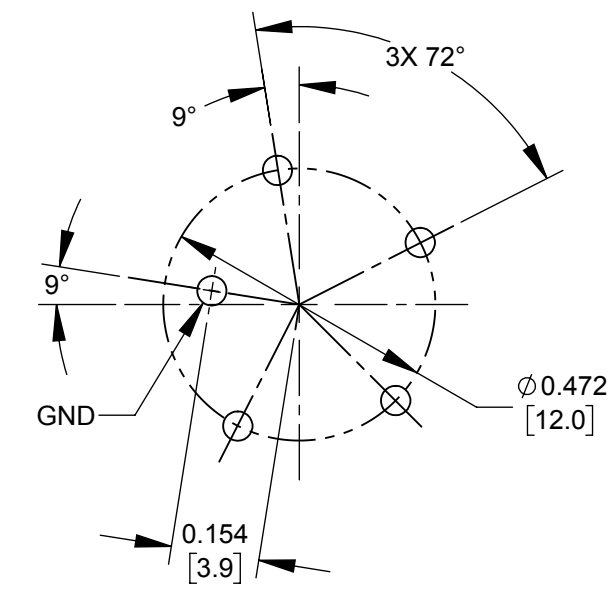
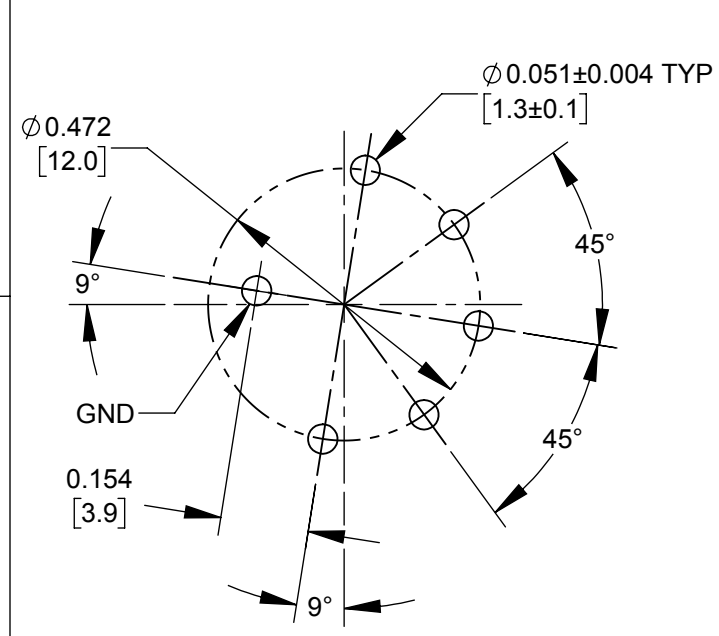
61NC5FX
5 CONTACTS AT 240°



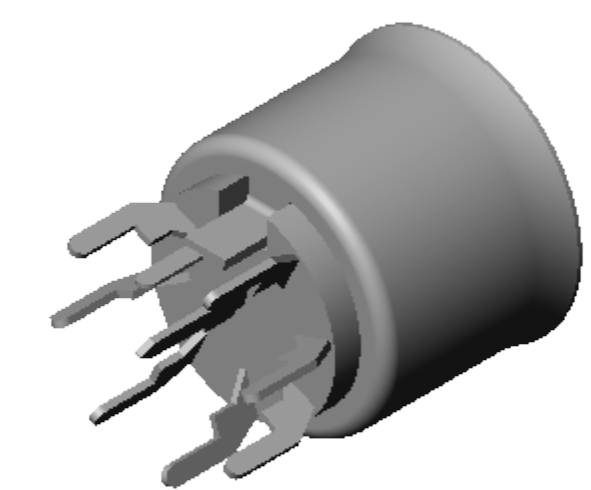
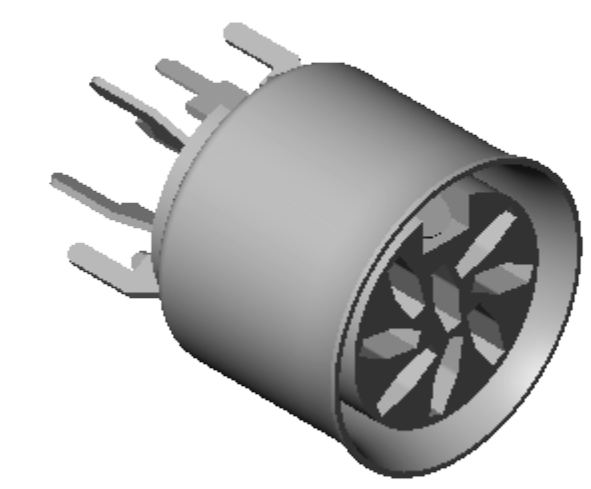
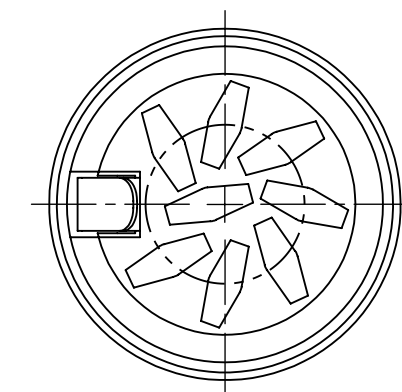
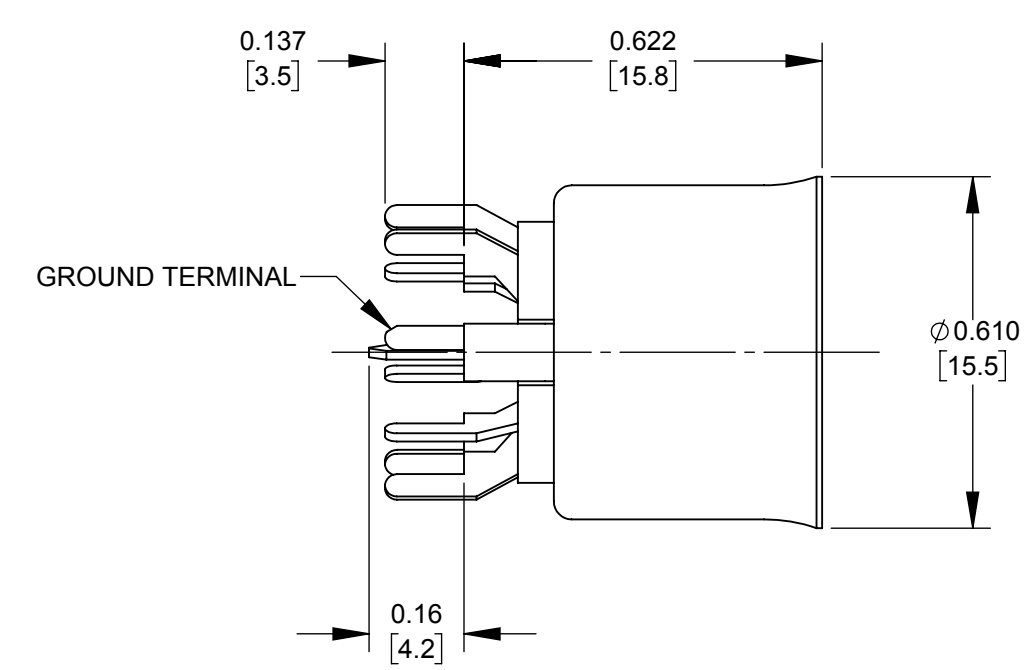
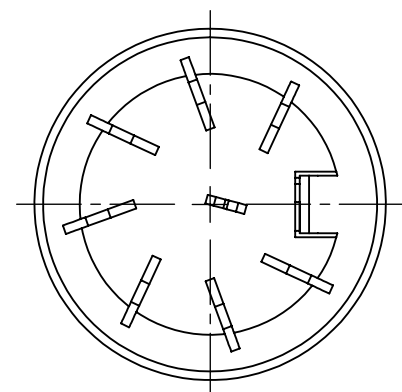
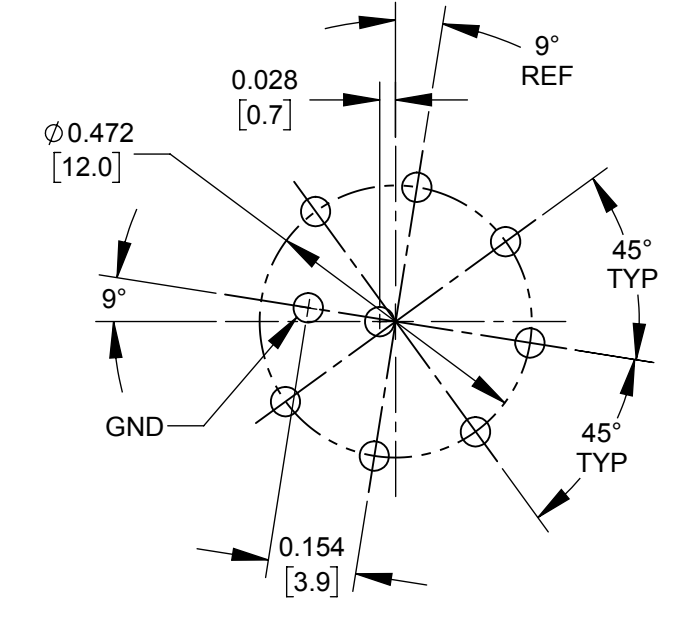
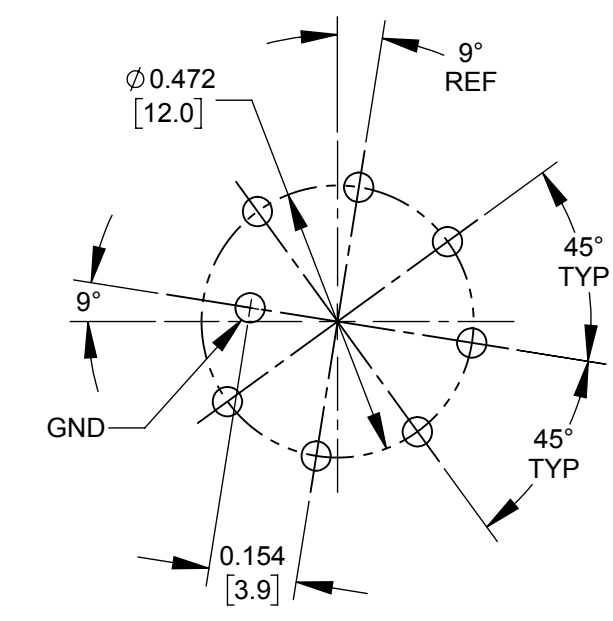
62NC7FX
7 CONTACTS AT 270°



62NC8FX
8 CONTACTS AT 270°



PCB LAYOUTS
COMPONENT SIDE



- NOTES:**
- MATERIALS:**
HOUSING - DRAWN METAL, NICKEL PLATED
INSERT - THERMOPLASTIC, BLACK
TERMINALS - COPPER ALLOY, TIN PLATED
 - THIS PRODUCT IS RoHS COMPLIANT.

REV	ECO NUMBER	DATE	BY	APVD
B	28010	3/14/18	TJK	TJK
A	26251 & 26000	3/3/06	TJK	TJK

UNLESS OTHERWISE SPECIFIED
1. ALL DIMENSIONS IN INCHES
- TWO PLACE DECIMALS ±0.02
- THREE PLACE DECIMALS ±0.005

THIS DRAWING DESCRIBES A DESIGN CONSIDERED PROPRIETARY IN NATURE, DEVELOPED AND MANUFACTURED BY SWITCHCRAFT INC. AND IS RELEASED ON A CONFIDENTIAL BASIS FOR IDENTIFICATION PURPOSES ONLY.				
SIZE	WIDTH	MULT	LBS/M	TEMPER
FINISH		MATERIAL		
SPEC No.		SPEC No.		
FIRST USED ON		SCALE		
		3:1		
DATE DRAWN	BY	CHKD TO	APVD	
7-26-13	TO	7-29-13	7-29-13	
NAME		PART No.		REV
FEMALE DIN		57NC_FX, 58NC_FX,		B
3-8 PIN RECEPTACLE, RoHS		60NC_FX, 61NC_FX, 62NC_FX SERIES		

CUSTOMER DRAWING

Mouser Electronics

Authorized Distributor

Click to View Pricing, Inventory, Delivery & Lifecycle Information:

[Switchcraft:](#)

[57NC5FX](#) [62NC8F](#) [57NC5F](#) [61NC5F](#) [62NC8FX](#) [61NC5FX](#) [62NC7FX](#) [60NC4FX](#)