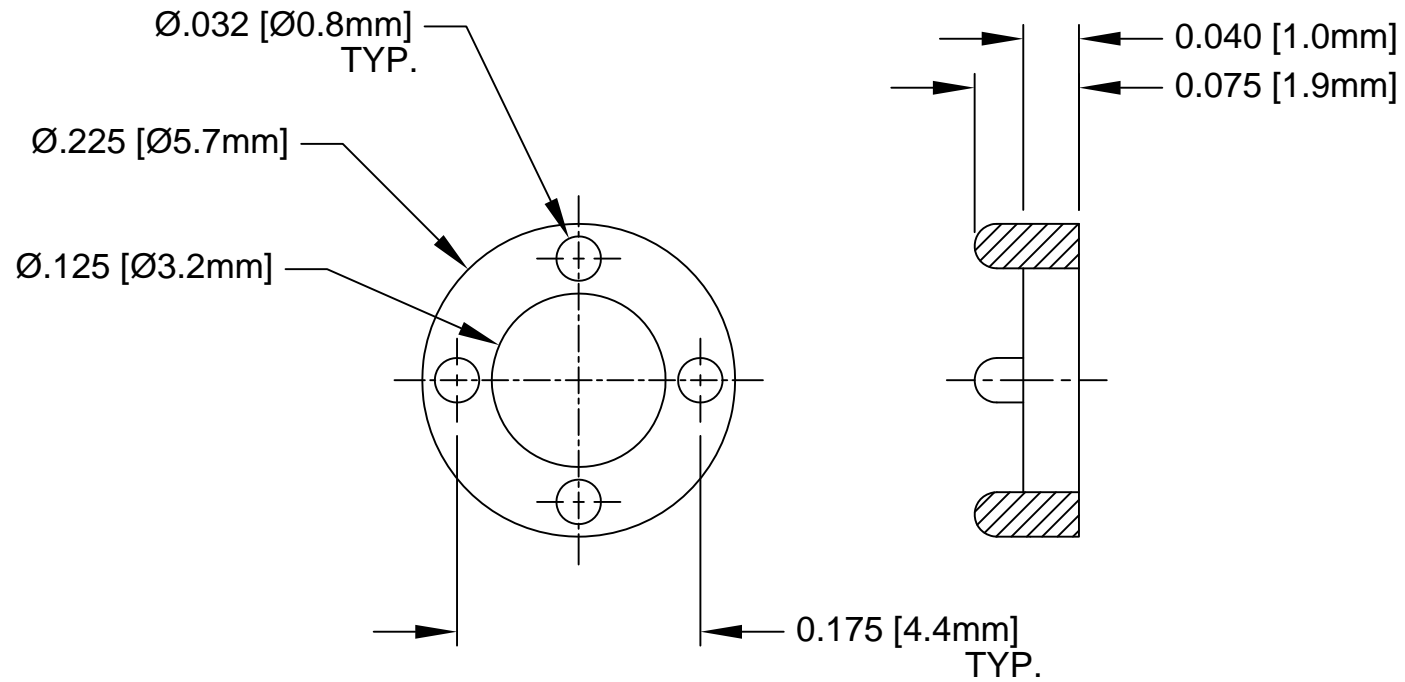


REV.	DESCRIPTION	DATE	APPROVED
A	Engineering Release	04/10/03	M. C.
B	Engineering Update w/o Changes	01/28/05	M. C.
C	Removed Material Code	05/23/16	J. C.



- 2. MATERIAL: NYLON 6/6, 94V-2, WHITE.
- 1. GENERAL SPECIFICATIONS: BIVAR MOLDED COMPONENT SPECIFICATION BV00-E101.

STANDARD TOLERANCE (UNLESS OTHERWISE SPECIFIED) DECIMALS ANGULAR .X ± .1 X° ± 1° .XX ± .01 .XXX ± .005			
		4 THOMAS, IRVINE, CA. 92618 TEL: (949) 951-8808 FAX: (949) 951-3974	
		TITLE: PERM-O-PAD LED MOUNT	
DESIGNED: D. Green	DATE: 04/10/03	PART NO: 103-080	REVISION: C
CHECKED: M. Chen	DATE: 04/10/03	CAGE CODE : 32559	SHEET # 1 OF 1
<small>CAD GENERATED DOCUMENT. DO NOT MEASURE DRAWING.</small>			

Mouser Electronics

Authorized Distributor

Click to View Pricing, Inventory, Delivery & Lifecycle Information:

[BIVAR:](#)

[103-080](#)