

**36**mm sq.

# San Ace 36



## General Specifications

- Material ..... Frame: Plastics (Flammability: UL94V-0),  
Impeller: Plastics (Flammability: UL94V-1)
- Expected Life ..... Refer to specifications (L10:Survival rate:90% at 60°C ,  
rated voltage, and continuously run in a free air state)
- Lead Wire ..... ⊕red ⊖black (Sensor) yellow (Control) brown  
(For models without PWM control function, there is no  
speed control wiring.)
- Storage Temperature ..... -20°C to +70°C (Non-condensing)

**36×36×28**mm (Mass : 46g) **9GX type** **9GV type**

## Specifications The following nos. have PWM controls, pulse sensors, and ribs.

Model No.	Rated Voltage [V]	Operating Voltage Range [V]	PWM duty cycle [%]	Rated Current [A]	Rated Input [W]	Rated Speed [min <sup>-1</sup> ]	Max. Airflow [m <sup>3</sup> /min] [CFM]	Max. Static Pressure [Pa] [inchH <sub>2</sub> O]	SPL [dB(A)]	Operating Temperature [°C]	Expected Life <sup>rated</sup> [h]
9GX3612P3K001	12	10.8 to 13.2	100	1.3	15.6	24,000	0.69 24.4	838 3.367	66	-10 to +60	40,000/60°C (70,000/40°C)
			0	0.07	0.84	3,200	0.09 3.2	14.0 0.056	32		

Note: Expected life at 40°C ambient is just reference value.

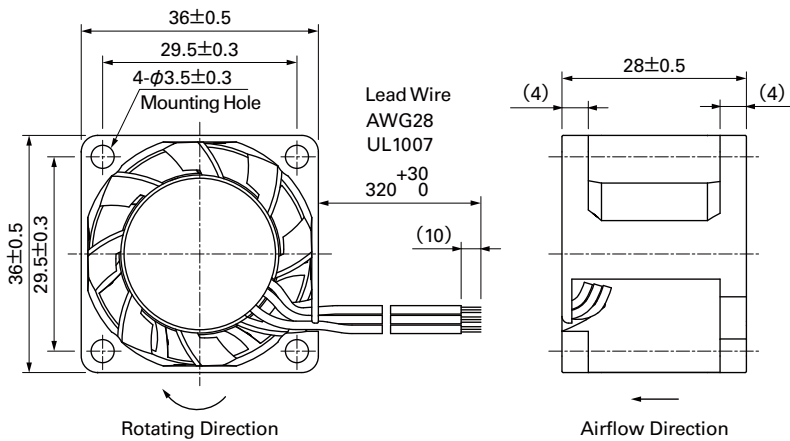
※PWM Frequency : 25kHz

## Specifications The following nos. have PWM controls, pulse sensors, and ribs.

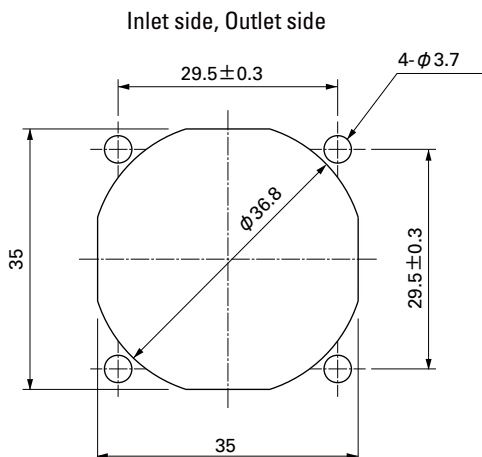
Models without sensors or with PWM control function are available as options. Please refer to the index (p. 478).

Model No.	Rated Voltage [V]	Operating Voltage Range [V]	Rated Current [A]	Rated Input [W]	Rated Speed [min <sup>-1</sup> ]	Max. Airflow [m <sup>3</sup> /min] [CFM]	Max. Static Pressure [Pa] [inchH <sub>2</sub> O]	SPL [dB(A)]	Operating Temperature [°C]	Expected Life [h]
9GV3612J301	12	7.0 to 13.2	0.75	9.0	19,000	0.55 19.4	525 2.108	58.5	-20 to +60	40,000/60°C
9GV3612G301			0.34	4.08	14,000	0.40 14.1	275 1.104	52.0		

## Dimensions (unit: mm) (With pulse sensor)



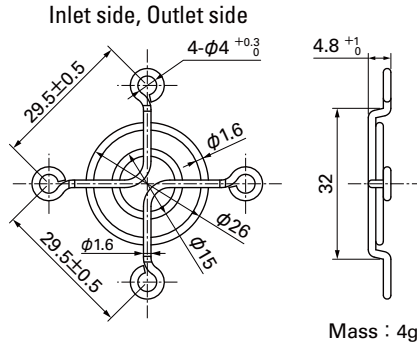
## Reference Dimensions of Mounting Holes and Vent Opening (unit: mm)



Options (unit: mm)

Finger Guards

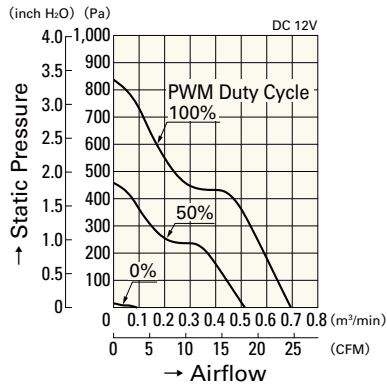
Model : 109-1050 Surface treatment : Nickel-chrome plating (silver) Color



Airflow - Static Pressure Characteristics

PWM Duty Cycle

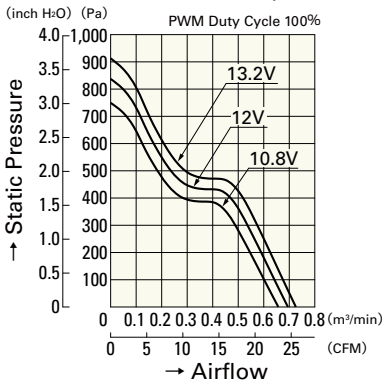
With PWM control function · With pulse sensor



9GX3612P3K001

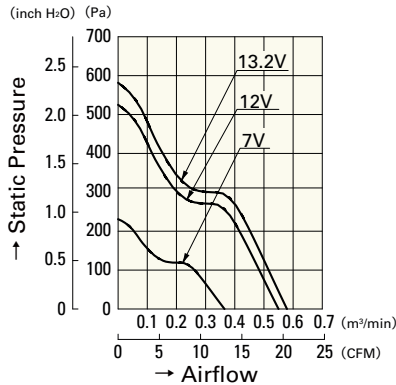
Operating Voltage Range

With PWM control function · With pulse sensor



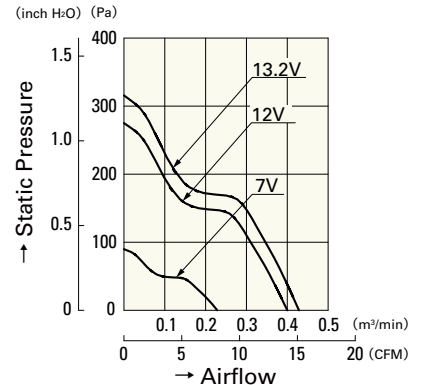
9GX3612P3K001

J speed



9GV3612J301

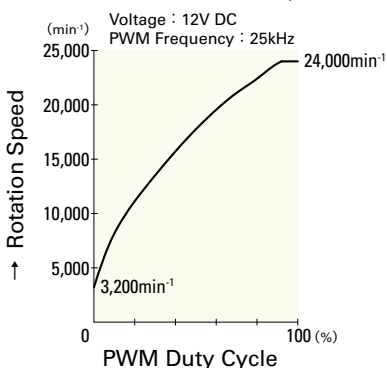
G speed



9GV3612G301

PWM Duty - Speed Characteristics Example

With PWM control function · With pulse sensor



9GX3612P3K001

**Part Numbering System** Not every combination of the following codes or characters is available. Contact us for an available combination.

<b>9GV</b>	<b>12</b>	<b>12</b>	<b>J</b>	<b>1</b>	<b>01</b>	<b>1</b>
<b>Type name / frame material</b> 109P / Plastics 109R / Plastics 9GA / Plastics 9S / Plastics 9GV / Plastics Aluminum 9GE / Aluminum 9G / Plastics 9A / Plastics 9SG / Aluminum 109E / Aluminum 9EC / Aluminum 9GX / Plastics 9GAX / Plastics	<b>Frame size</b> 36 : 36×36mm 03 : 38×38mm 04 : 40×40mm 05 : 52×52mm 06 : 60×60mm 08 : 80×80mm 09 : 92×92mm 12 : 120×120mm 13 : 127×127mm 14 : 140×140mm 15 : 150×150mm 17 : $\phi$ 172mm 47 : $\phi$ 172mm×147mm (sidecut) 57 : $\phi$ 172mm×150mm (sidecut) 20 : $\phi$ 200mm	<b>Voltage</b> 05 : 5V 12 : 12V 24 : 24V 48 : 48V etc	<b>Speed code</b> A, B, C, D, E, F, G, H, J, K, L, M, S, W etc	<b>Frame thickness</b> 0 : 70mm 1 : 38mm thick 2 : 32mm thick 3 : 28mm thick 4 : 25mm thick 5 : 50mm thick 51mm thick 6 : 20mm thick 7 : 15mm thick 9 : 10mm thick	<b>Sensor specifications</b> 01 or 001 : With a pulse sensor 02 or 002 : Without a sensor D01 or D001 : With a lock sensor	<b>Frame form</b> Nil : Plastics frame: Ribbed frame Aluminum frame: Ribless frame 1 : Plastics frame: Ribless frame 3 : 40×40×28mm for 1U applications Plastics frame: Ribbed frame

**Fans with PWM control function**

Example :

<b>9GV</b>	<b>12</b>	<b>12</b>	<b>P</b>	<b>4</b>	<b>G</b>	<b>01</b>	
<b>Type name / frame material</b> 9GV / Plastics Aluminum	<b>Frame size</b> 12 : 120×120mm	<b>Voltage</b> 12 : 12V	<b>PWM control function</b>	<b>Frame thickness</b>	<b>Speed code</b>	<b>Individual customer's spec</b> 2 to 4 digits	<b>Frame form</b> Nil : Plastics frame: Ribbed frame Aluminum frame: Ribless frame