

series LS04

Brochure



★ series LS04

	5/2-way valve, series LS04 XS Qn = 200 l/min, Push-in fitting Ø 4 mm, single solenoid, for standard plug	4
	5/2-way valve, series LS04 XS Qn = 200 l/min, single solenoid, for M8x1 plug (3-pin)	6
	2x3/2-way valve, series LS04 AF Qn = 180 - 370 l/min, push-in fitting, double solenoid, for M8x1 plug (3-pin), manual override without detent	8
	2x3/2-way valve, series LS04 AF Qn = 180 - 370 l/min, Push-in fitting, double solenoid, for M8x1 plug (3-pin), manual override, turn with detent	10
	2x3/2-way valve, series LS04 AF Qn = 180 - 370 l/min, Push-in fitting, double solenoid, for standard plug, manual override without detent	12
	2x3/2-way valve, series LS04 AF Qn = 180 - 370 l/min, Push-in fitting, double solenoid, for standard plug, manual override, turn with detent	14
	5/2-way valve, series LS04 AF Qn = 180 - 370 l/min, Push-in fitting, single or double air pilot, for standard plug, manual override without detent	16
	5/2-way valve, series LS04 AF Qn = 180 - 370 l/min, push-in fitting, single solenoid, for standard plug, manual override, turn with detent	18
	5/2-way valve, series LS04 AF Qn = 180 - 370 l/min, Push-in fitting, single or double air pilot, for M8x1 plug (3-pin), manual override without detent	20
	5/2-way valve, series LS04 AF Qn = 180 - 370 l/min, Push-in fitting, single solenoid, for M8x1 plug (3-pin), manual override, turn with detent	22
	5/3-way valve, series LS04 AF Qn = 170 - 350 l/min, Push-in fitting, double solenoid, for standard plug, manual override without detent	24
	5/3-way valve, series LS04 AF Qn = 170 - 350 l/min, push-in fitting, double solenoid, for standard plug, manual override, turn with detent	26
	5/3-way valve, series LS04 AF Qn = 170 - 350 l/min, push-in fitting, double solenoid, for M8x1 plug (3-pin), manual override without detent	28

★ core products - preferably for new constructions, stockpiling in Laatzen central warehouse, worldwide service

● service products - existing standard program, worldwide service

pneumatics catalog, online pdf, as of 2007-10-23, © Bosch Rexroth AG

* series LS04



5/3-way valve, series LS04 AF
 Qn = 170 - 350 l/min, push-in fitting, double
 solenoid, for M8x1 plug (3-pin), manual
 override, turn with detent

30

Accessories



Connecting cable, Series CN1
 M8x1 fitting, straight and angled (3 poles)

32

Plug connector
 for series DO, for series LS04, WV04

33

Solenoid valves

* 5/2-way valve, series LS04 XS

Qn = 200 l/min, Push-in fitting Ø 4 mm, single solenoid, for standard plug



00119519

Version	spool valve, zero overlap
Working pressure min/max	3 / 8 bar
Ambient temperature min./max.	-10 °C / +50 °C
Medium	compressed air acc. to ISO 8573-1: 2000
Compressed air class	class 7-5-4, class 6-4-3
Medium temperature	-10 °C / +50 °C
Protection class according to EN 60529:2000, with electrical connector	IP50
Duty cycle ED	100%
materials:	
Housing	polyamide
Seal	polyurethane

Operating voltage	Voltage tolerance	Power consumption at 24 V DC
V	DC	W
24 V DC	-10% / +10%	0,7

		Operating voltage	Working pressure min/max [bar]	Qn [l/min]	Flow conductance C [l/s*bar]	Flow conductance b-value	Weight [kg]	LED status display	Part No.
		24 V DC	3 / 8	200	0,8	0,4	0,03	yellow	R422100557
									R422100555

* core products - preferably for new constructions, stockpiling in Laatzen central warehouse, worldwide service

● service products - existing standard program, worldwide service

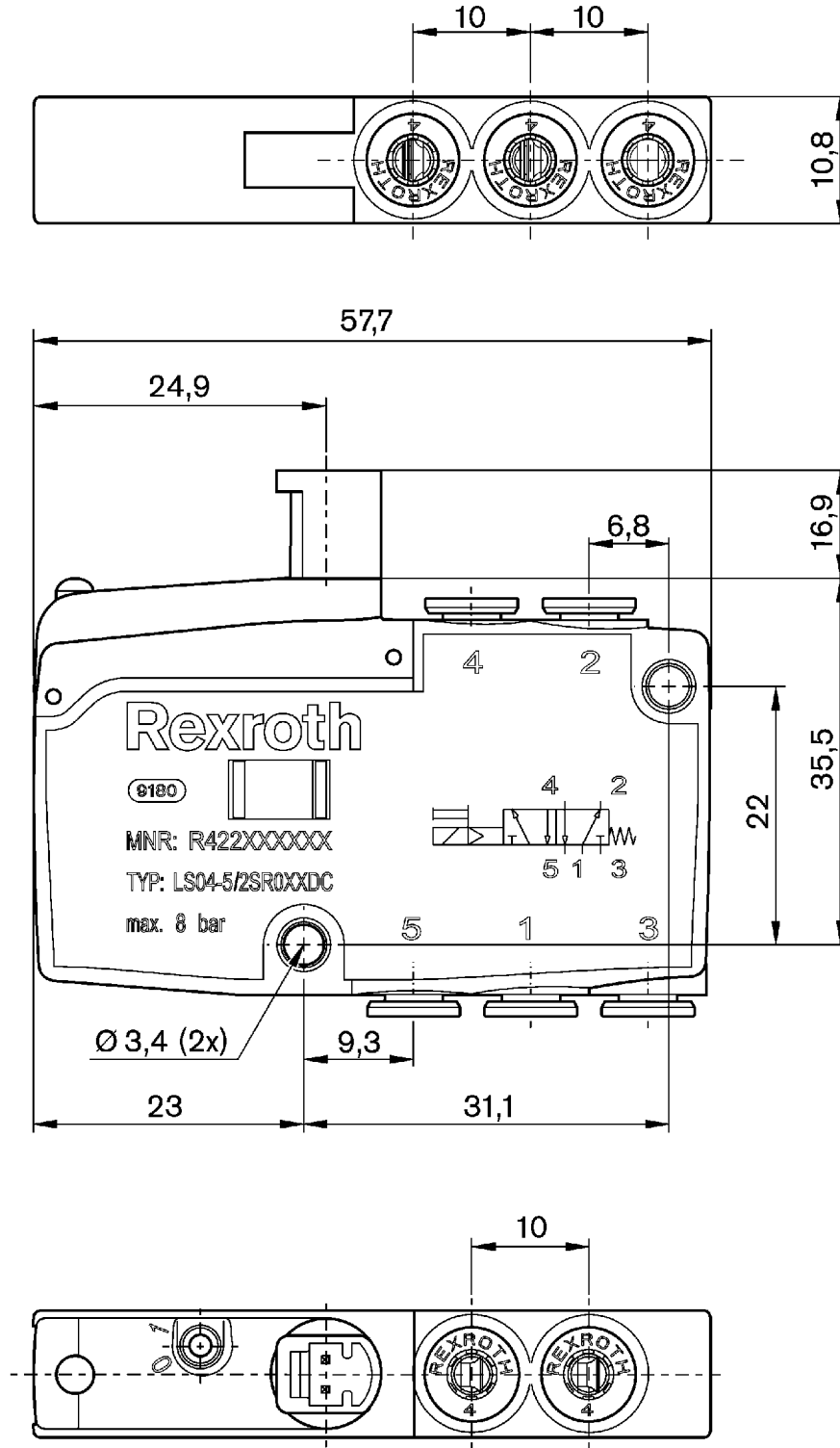
pneumatics catalog, online pdf, as of 2007-10-23, © Bosch Rexroth AG

Solenoid valves

★ 5/2-way valve, series LS04 XS

Qn = 200 l/min, Push-in fitting Ø 4 mm, single solenoid, for standard plug

dimensions



00119524

Solenoid valves

* 5/2-way valve, series LS04 XS

Qn = 200 l/min, single solenoid, for M8x1 plug (3-pin)



00119520

Version	spool valve, zero overlap
Working pressure min/max	3 / 8 bar
Ambient temperature min./max.	-10 °C / +50 °C
Medium	compressed air acc. to ISO 8573-1: 2000
Compressed air class	class 7-5-4, class 6-4-3
Medium temperature	-10 °C / +50 °C
Protection class according to EN 60529:2000, with electrical connector	IP65
Duty cycle ED	100%
materials:	
Housing	polyamide
Seal	polyurethane

Operating voltage	Voltage tolerance	Power consumption at 24 V DC
V	DC	W
24 V DC	-10% / +10%	0,7

		Operating voltage	Working pressure min/max [bar]	Qn [l/min]	Flow conductance C [l/s*bar]	Flow conductance b-value	Weight [kg]	LED status display	Part No.
		24 V DC	3 / 8	200	0,8	0,4	0,03	yellow	R422100558
									R422100556

* core products - preferably for new constructions, stockpiling in Laatzen central warehouse, worldwide service

● service products - existing standard program, worldwide service

pneumatics catalog, online pdf, as of 2007-10-23, © Bosch Rexroth AG

Solenoid valves

★ 2x3/2-way valve, series LS04 AF

Qn = 180 - 370 l/min, push-in fitting, double solenoid, for M8x1 plug (3-pin), manual override without detent



00119567

Version	spool valve, zero overlap
Working pressure min/max	3 / 8 bar
Ambient temperature min./max.	-10 °C / +50 °C
Medium	compressed air acc. to ISO 8573-1: 2000
Compressed air class	class 7-5-4, class 6-4-3
Medium temperature	-10 °C / +50 °C
Protection class according to EN 60529:2000, with electrical connector	IP65
Duty cycle ED	100%
materials:	
Housing	polyamide
Seal	polyurethane

Operating voltage	Voltage tolerance	Power consumption at 24 V DC
V	DC	W
24 V DC	-10% / +10%	0,7

		Version	Port	Operating voltage	Working pressure min/max [bar]	Qn [l/min]	Flow con-	Flow con-	Weight [kg]	LED status display	Part No.
		NO-NO	Ø 4	24 V DC	3 / 8	180	0,8	0,4	0,051	yellow	R422100573
		NC-NC	Ø 4	24 V DC	3 / 8	180	0,8	0,4	0,051	yellow	R422100581
		NC-NO	Ø 4	24 V DC	3 / 8	180	0,8	0,4	0,051	yellow	R422100589
		NO-NO	Ø 6	24 V DC	3 / 8	370	0,8	0,4	0,051	yellow	R422100574
		NC-NC	Ø 6	24 V DC	3 / 8	370	0,8	0,4	0,051	yellow	R422100582
		NC-NO	Ø 6	24 V DC	3 / 8	370	0,8	0,4	0,051	yellow	R422100590

★ core products - preferably for new constructions, stockpiling in Laatzen central warehouse, worldwide service

● service products - existing standard program, worldwide service

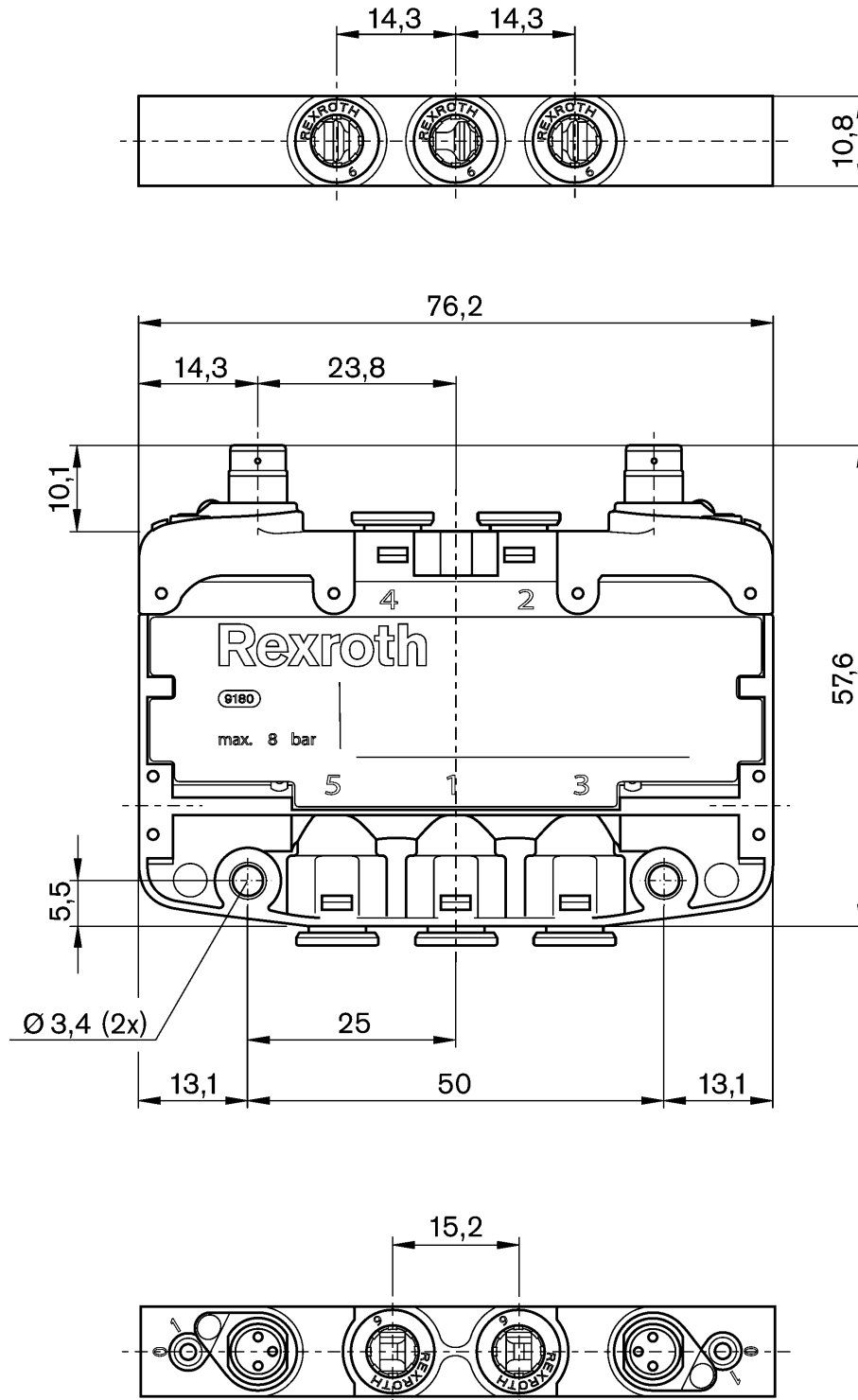
pneumatics catalog, online pdf, as of 2007-10-23, © Bosch Rexroth AG

Solenoid valves

★ 2x3/2-way valve, series LS04 AF

Qn = 180 - 370 l/min, push-in fitting, double solenoid, for M8x1 plug (3-pin), manual override without detent

dimensions



00119571

Solenoid valves

★ 2x3/2-way valve, series LS04 AF

Qn = 180 - 370 l/min, Push-in fitting, double solenoid, for M8x1 plug (3-pin), manual override, turn with detent



00119567

Version	spool valve, zero overlap
Working pressure min/max	3 / 8 bar
Ambient temperature min./max.	-10 °C / +50 °C
Medium	compressed air acc. to ISO 8573-1: 2000
Compressed air class	class 7-5-4, class 6-4-3
Medium temperature	-10 °C / +50 °C
Protection class according to EN 60529:2000, with electrical connector	IP65
Duty cycle ED	100%
materials:	
Housing	polyamide
Seal	polyurethane

Operating voltage	Voltage tolerance	Power consumption at 24 V DC
V	DC	W
24 V DC	-10% / +10%	0,7

		Version	Port	Operating voltage	Working pressure min/max [bar]	Qn [l/min]	Flow con-	Flow con-	Weight [kg]	LED status display	Part No.
		NO-NO	Ø 4	24 V DC	3 / 8	180	0,8	0,4	0,051	yellow	R422100577
		NC-NC	Ø 4	24 V DC	3 / 8	180	0,8	0,4	0,051	yellow	R422100585
		NC-NO	Ø 4	24 V DC	3 / 8	180	0,8	0,4	0,051	yellow	R422100593
		NO-NO	Ø 6	24 V DC	3 / 8	370	0,8	0,4	0,051	yellow	R422100578
		NC-NC	Ø 6	24 V DC	3 / 8	370	0,8	0,4	0,051	yellow	R422100586
		NC-NO	Ø 6	24 V DC	3 / 8	370	0,8	0,4	0,051	yellow	R422100594

★ core products - preferably for new constructions, stockpiling in Laatzen central warehouse, worldwide service

● service products - existing standard program, worldwide service

pneumatics catalog, online pdf, as of 2007-10-23, © Bosch Rexroth AG

Solenoid valves

★ 2x3/2-way valve, series LS04 AF

Qn = 180 - 370 l/min, Push-in fitting, double solenoid, for standard plug, manual override without detent



00119521

Version	spool valve, zero overlap
Working pressure min/max	3 / 8 bar
Ambient temperature min./max.	-10 °C / +50 °C
Medium	compressed air acc. to ISO 8573-1: 2000
Compressed air class	class 7-5-4, class 6-4-3
Medium temperature	-10 °C / +50 °C
Protection class according to EN 60529:2000, with electrical connector	IP50
Duty cycle ED	100%
materials:	
Housing	polyamide
Seal	polyurethane

Operating voltage	Voltage tolerance	Power consumption at 24 V DC
V	DC	W
24 V DC	-10% / +10%	0,7

		Version	Port	Operating voltage	Working pressure min/max [bar]	Qn [l/min]	Flow con-	Flow con-	Weight [kg]	LED status display	Part No.
		NO-NO	Ø 4	24 V DC	3 / 8	180	0,8	0,4	0,051	yellow	R422100571
		NC-NC	Ø 4	24 V DC	3 / 8	180	0,8	0,4	0,051	yellow	R422100579
		NC-NO	Ø 4	24 V DC	3 / 8	180	0,8	0,4	0,051	yellow	R422100587
		NO-NO	Ø 6	24 V DC	3 / 8	370	0,8	0,4	0,051	yellow	R422100572
		NC-NC	Ø 6	24 V DC	3 / 8	370	0,8	0,4	0,051	yellow	R422100580
		NC-NO	Ø 6	24 V DC	3 / 8	350	0,8	0,4	0,051	yellow	R422100588

★ core products - preferably for new constructions, stockpiling in Laatzen central warehouse, worldwide service

● service products - existing standard program, worldwide service

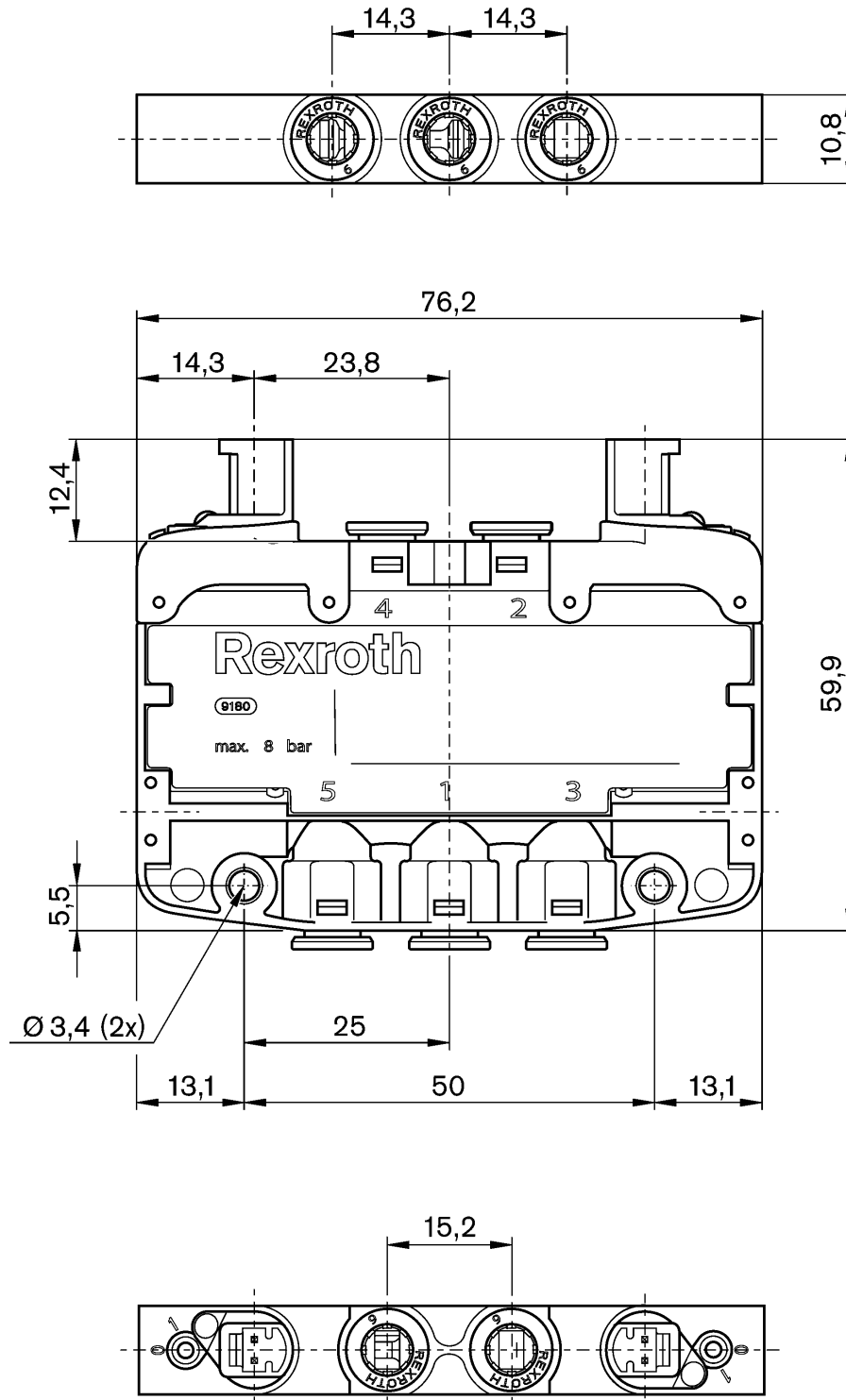
pneumatics catalog, online pdf, as of 2007-10-23, © Bosch Rexroth AG

Solenoid valves

★ 2x3/2-way valve, series LS04 AF

Qn = 180 - 370 l/min, Push-in fitting, double solenoid, for standard plug, manual override without detent

dimensions



00119569

Solenoid valves

★ 2x3/2-way valve, series LS04 AF

Qn = 180 - 370 l/min, Push-in fitting, double solenoid, for standard plug, manual override, turn with detent



00119521

Version	spool valve, zero overlap
Working pressure min/max	3 / 8 bar
Ambient temperature min./max.	-10 °C / +50 °C
Medium	compressed air acc. to ISO 8573-1: 2000
Compressed air class	class 7-5-4, class 6-4-3
Medium temperature	-10 °C / +50 °C
Protection class according to EN 60529:2000, with electrical connector	IP50
Duty cycle ED	100%
materials:	
Housing	polyamide
Seal	polyurethane

Operating voltage	Voltage tolerance	Power consumption at 24 V DC
V	DC	W
24 V DC	-10% / +10%	0,7

		Version	Port	Operating voltage	Working pressure min/max [bar]	Qn [l/min]	Flow con-	Flow con-	Weight [kg]	LED status display	Part No.
		NO-NO	Ø 4	24 V DC	3 / 8	180	0,8	0,4	0,051	yellow	R422100575
		NC-NC	Ø 4	24 V DC	3 / 8	180	0,8	0,4	0,051	yellow	R422100583
		NC-NO	Ø 4	24 V DC	3 / 8	250	0,8	0,4	0,051	yellow	R422100591
		NO-NO	Ø 6	24 V DC	3 / 8	370	0,8	0,4	0,051	yellow	R422100576
		NC-NC	Ø 6	24 V DC	3 / 8	370	0,8	0,4	0,051	yellow	R422100584
		NC-NO	Ø 6	24 V DC	3 / 8	370	0,8	0,4	0,051	yellow	R422100592

★ core products - preferably for new constructions, stockpiling in Laatzen central warehouse, worldwide service

● service products - existing standard program, worldwide service

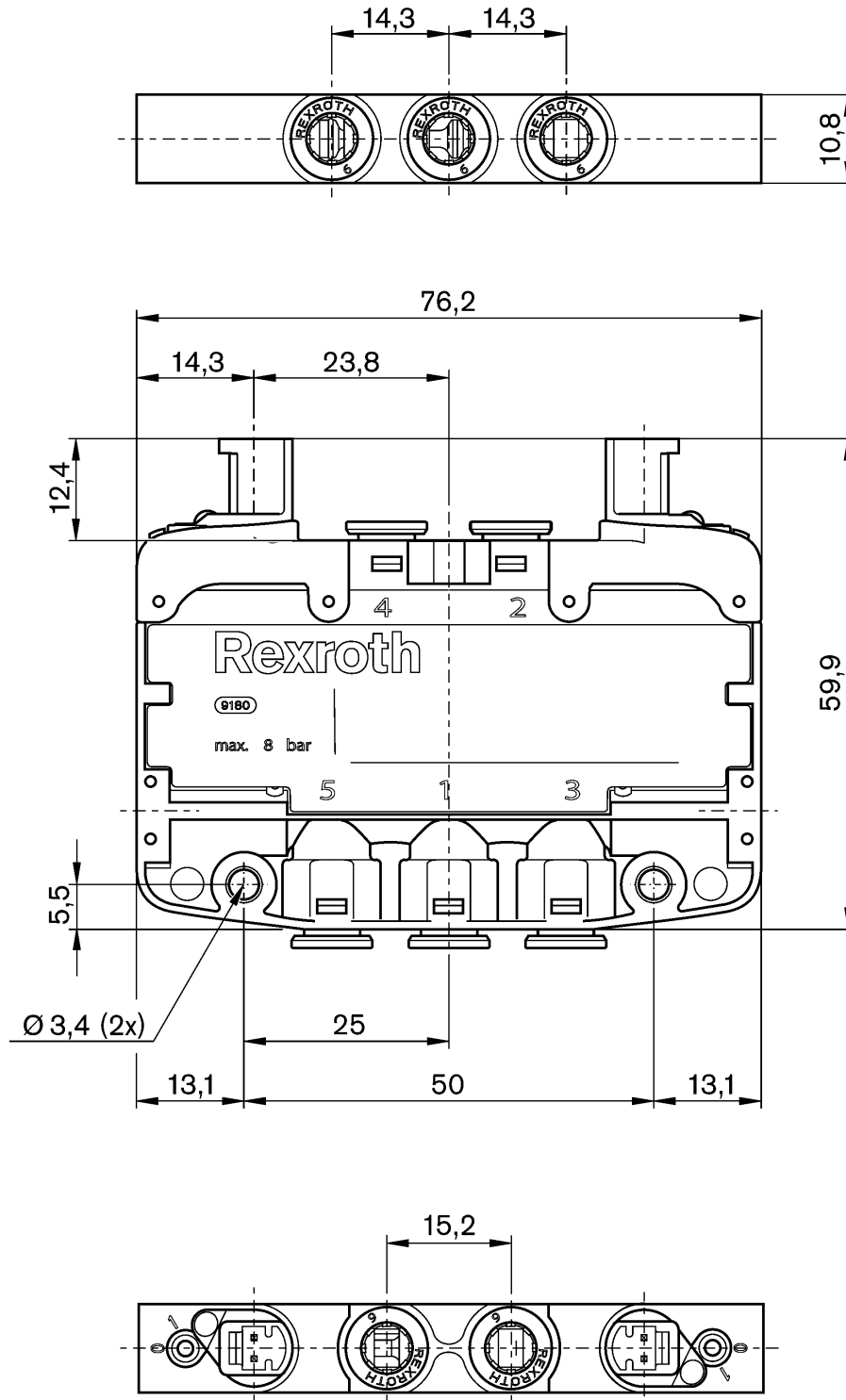
pneumatics catalog, online pdf, as of 2007-10-23, © Bosch Rexroth AG

Solenoid valves

★ 2x3/2-way valve, series LS04 AF

Qn = 180 - 370 l/min, Push-in fitting, double solenoid, for standard plug, manual override, turn with detent

dimensions



00119569_a

Solenoid valves

★ 5/2-way valve, series LS04 AF

Qn = 180 - 370 l/min, Push-in fitting, single or double air pilot, for standard plug, manual override without detent



00119523

Version	spool valve, zero overlap
Working pressure min/max	3 / 8 bar
Ambient temperature min./max.	-10 °C / +50 °C
Medium	compressed air acc. to ISO 8573-1: 2000
Compressed air class	class 7-5-4, class 6-4-3
Medium temperature	-10 °C / +50 °C
Protection class according to EN 60529:2000, with electrical connector	IP50
Duty cycle ED	100%
materials:	
Housing	polyamide
Seal	polyurethane

Operating voltage	Voltage tolerance	Power consumption at 24 V DC
V	DC	W
24 V DC	-10% / +10%	0,7

		Port	Operating voltage	Working pressure min/max [bar]	Qn [l/min]	Flow conductance C [l/s*bar]	Flow conductance b-value	Weight [kg]	Part No.
		Ø 4	24 V DC	3 / 8	180	0,8	0,3	0,051	R422100559
		Ø 4	24 V DC	3 / 8	180	0,8	0,3	0,051	R422100567
		Ø 6	24 V DC	3 / 8	370	0,8	0,3	0,051	R422100560
		Ø 6	24 V DC	3 / 8	370	0,8	0,3	0,051	R422100568

★ core products - preferably for new constructions, stockpiling in Laatzen central warehouse, worldwide service

● service products - existing standard program, worldwide service

pneumatics catalog, online pdf, as of 2007-10-23, © Bosch Rexroth AG

Solenoid valves

★ 5/2-way valve, series LS04 AF

Qn = 180 - 370 l/min, push-in fitting, single solenoid, for standard plug, manual override, turn with detent



00119523

Version	spool valve, zero overlap
Working pressure min/max	3 / 8 bar
Ambient temperature min./max.	-10 °C / +50 °C
Medium	compressed air acc. to ISO 8573-1: 2000
Compressed air class	class 7-5-4, class 6-4-3
Medium temperature	-10 °C / +50 °C
Protection class according to EN 60529:2000, with electrical connector	IP50
Duty cycle ED	100%
materials:	
Housing	polyamide
Seal	polyurethane

Operating voltage	Voltage tolerance	Power consumption at 24 V DC
V	DC	W
24 V DC	-10% / +10%	0,7

		Port	Operating voltage	Working pressure min/max [bar]	Qn [l/min]	Flow conductance C [l/s*bar]	Flow conductance b-value	Weight [kg]	LED status display	Part No.
		Ø 4	24 V DC	3 / 8	180	0,8	0,3	0,051	yellow	R422100563
		Ø 6								R422100564

★ core products - preferably for new constructions, stockpiling in Laatzen central warehouse, worldwide service

● service products - existing standard program, worldwide service

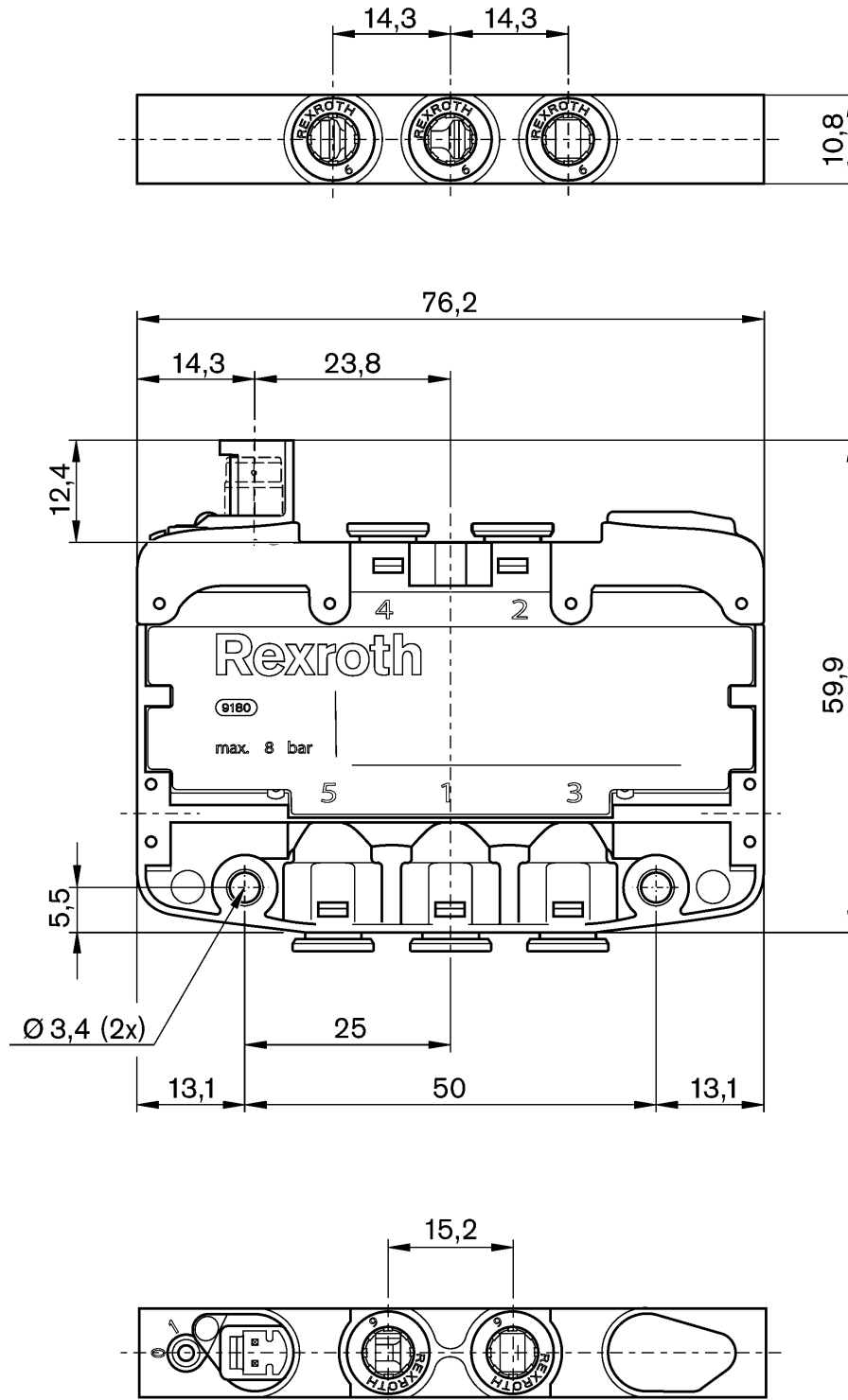
pneumatics catalog, online pdf, as of 2007-10-23, © Bosch Rexroth AG

Solenoid valves

★ 5/2-way valve, series LS04 AF

Qn = 180 - 370 l/min, push-in fitting, single solenoid, for standard plug, manual override, turn with detent

dimensions



00119528_a

Solenoid valves

* 5/2-way valve, series LS04 AF

Qn = 180 - 370 l/min, Push-in fitting, single or double air pilot, for M8x1 plug (3-pin), manual override without detent



00119570

Version	spool valve, zero overlap
Working pressure min/max	3 / 8 bar
Ambient temperature min./max.	-10 °C / +50 °C
Medium	compressed air acc. to ISO 8573-1: 2000
Compressed air class	class 7-5-4, class 6-4-3
Medium temperature	-10 °C / +50 °C
Protection class according to EN 60529:2000, with electrical connector	IP65
Duty cycle ED	100%
materials:	
Housing	polyamide
Seal	polyurethane

Operating voltage	Voltage tolerance	Power consumption at 24 V DC
V	DC	W
24 V DC	-10% / +10%	0,7

		Port	Operating voltage	Working pressure min/max [bar]	Qn [l/min]	Flow conductance C [l/s*bar]	Flow conductance b-value	Weight [kg]	LED status display	Part No.
		Ø 4	24 V DC	3 / 8	180	0,8	0,3	0,051	yellow	R422100561
		Ø 4	24 V DC	3 / 8	180	0,8	0,3	0,051	yellow	R422100569
		Ø 6	24 V DC	3 / 8	370	0,8	0,3	0,051	yellow	R422100562
		Ø 6	24 V DC	3 / 8	370	0,8	0,3	0,051	yellow	R422100570

* core products - preferably for new constructions, stockpiling in Laatzen central warehouse, worldwide service

● service products - existing standard program, worldwide service

pneumatics catalog, online pdf, as of 2007-10-23, © Bosch Rexroth AG

Solenoid valves

★ 5/2-way valve, series LS04 AF

Qn = 180 - 370 l/min, Push-in fitting, single solenoid, for M8x1 plug (3-pin), manual override, turn with detent



00119570

Version	spool valve, zero overlap
Working pressure min/max	3 / 8 bar
Ambient temperature min./max.	-10 °C / +50 °C
Medium	compressed air acc. to ISO 8573-1: 2000
Compressed air class	class 7-5-4, class 6-4-3
Medium temperature	-10 °C / +50 °C
Protection class according to EN 60529:2000, with electrical connector	IP65
Duty cycle ED	100%
materials:	
Housing	polyamide
Seal	polyurethane

Operating voltage	Voltage tolerance	Power consumption at 24 V DC
V	DC	W
24 V DC	-10% / +10%	0,7

		Port	Operating voltage	Working pressure min/max [bar]	Qn [l/min]	Flow conductance C [l/s*bar]	Flow conductance b-value	Weight [kg]	LED status display	Part No.
		Ø 4	24 V DC	3 / 8	250	0,8	0,3	0,051	yellow	R422100565
		Ø 6								R422100566

★ core products - preferably for new constructions, stockpiling in Laatzen central warehouse, worldwide service

● service products - existing standard program, worldwide service

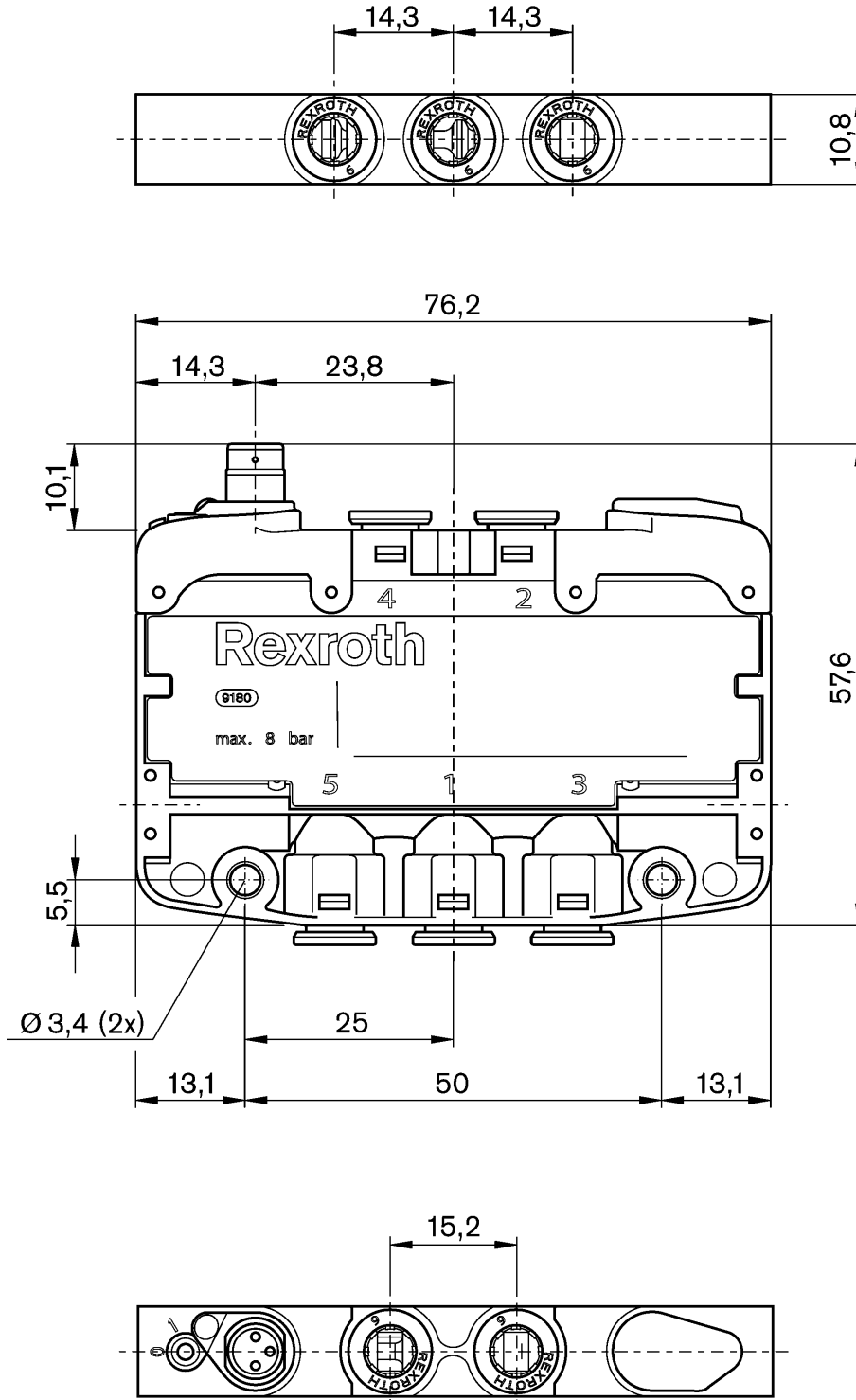
pneumatics catalog, online pdf, as of 2007-10-23, © Bosch Rexroth AG

Solenoid valves

★ 5/2-way valve, series LS04 AF

Qn = 180 - 370 l/min, Push-in fitting, single solenoid, for M8x1 plug (3-pin), manual override, turn with detent

dimensions



00119568_a

Solenoid valves

★ 5/3-way valve, series LS04 AF

Qn = 170 - 350 l/min, Push-in fitting, double solenoid, for standard plug, manual override without detent



00119522

Version	spool valve, zero overlap
Working pressure min/max	3 / 8 bar
Ambient temperature min./max.	-10 °C / +50 °C
Medium	compressed air acc. to ISO 8573-1: 2000
Compressed air class	class 7-5-4, class 6-4-3
Medium temperature	-10 °C / +50 °C
Protection class according to EN 60529:2000, with electrical connector	IP50
Duty cycle ED	100%
materials:	
Housing	polyamide
Seal	polyurethane

Operating voltage	Voltage tolerance	Power consumption at 24 V DC
V	DC	W
24 V DC	-10% / +10%	0,7

		Port	Operating voltage	Working pressure min/max [bar]	Qn [l/min]	Flow conductance C [l/s*bar]	Flow conductance b-value	Weight [kg]	LED status display	Part No.
		Ø 4	24 V DC	3 / 8	170	0,8	0,4	0,051	yellow	R422100840
		Ø 6			350					R422100841

★ core products - preferably for new constructions, stockpiling in Laatzen central warehouse, worldwide service

● service products - existing standard program, worldwide service

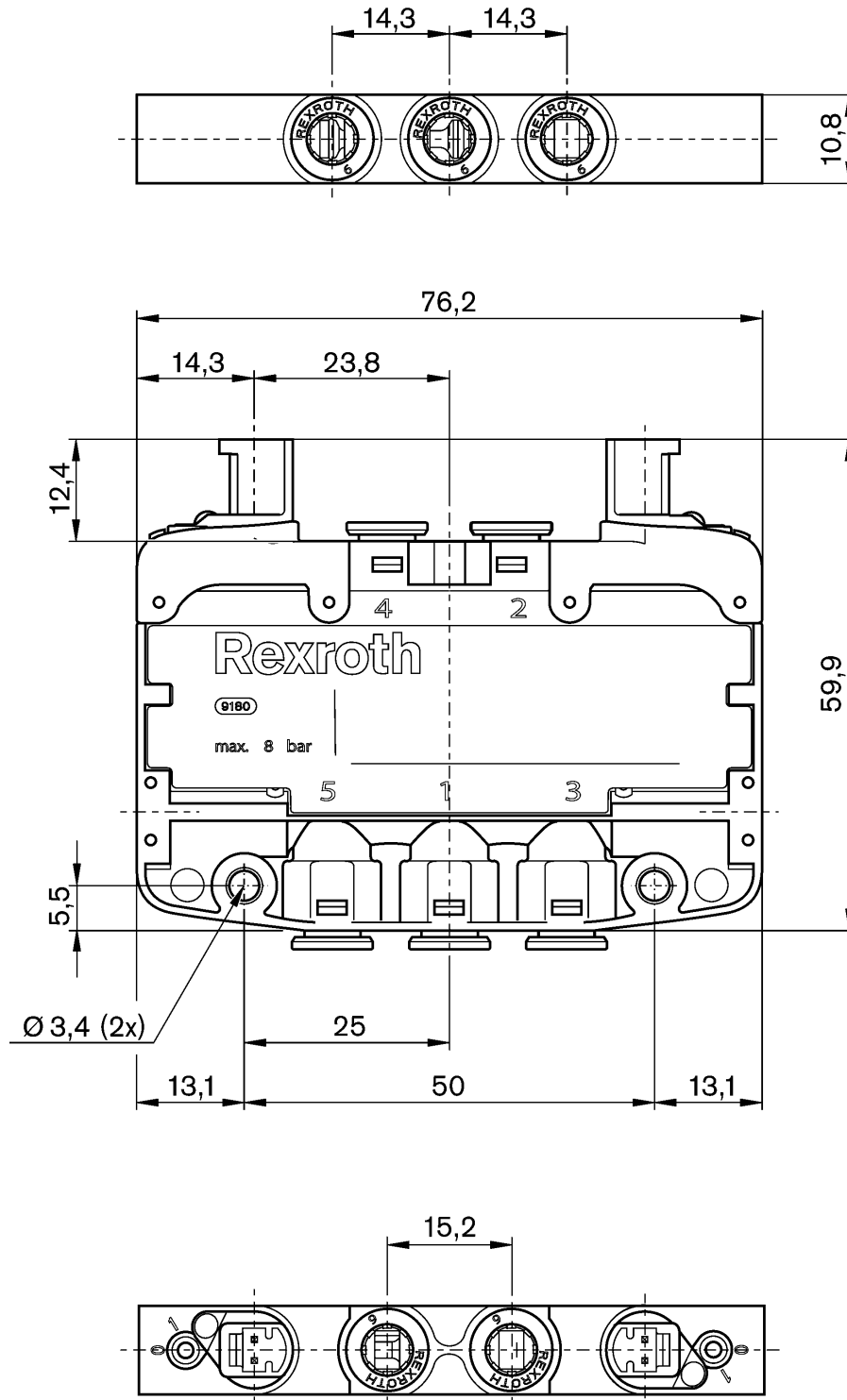
pneumatics catalog, online pdf, as of 2007-10-23, © Bosch Rexroth AG

Solenoid valves

★ 5/3-way valve, series LS04 AF

Qn = 170 - 350 l/min, Push-in fitting, double solenoid, for standard plug, manual override without detent

dimensions



00119569_b

Solenoid valves

★ 5/3-way valve, series LS04 AF

Qn = 170 - 350 l/min, push-in fitting, double solenoid, for standard plug, manual override, turn with detent



00119522

Version	spool valve, zero overlap
Working pressure min/max	3 / 8 bar
Ambient temperature min./max.	-10 °C / +50 °C
Medium	compressed air acc. to ISO 8573-1: 2000
Compressed air class	class 7-5-4, class 6-4-3
Medium temperature	-10 °C / +50 °C
Protection class according to EN 60529:2000, with electrical connector	IP50
Duty cycle ED	100%
materials:	
Housing	polyamide
Seal	polyurethane

Operating voltage	Voltage tolerance	Power consumption at 24 V DC
V	DC	W
24 V DC	-10% / +10%	0,7

		Port	Operating voltage	Working pressure min/max [bar]	Qn [l/min]	Flow conductance C [l/s*bar]	Flow conductance b-value	Weight [kg]	LED status display	Part No.
		Ø 4	24 V DC	3 / 8	170	0,8	0,4	0,051	yellow	R422100844
		Ø 6								R422100845

★ core products - preferably for new constructions, stockpiling in Laatzen central warehouse, worldwide service

● service products - existing standard program, worldwide service

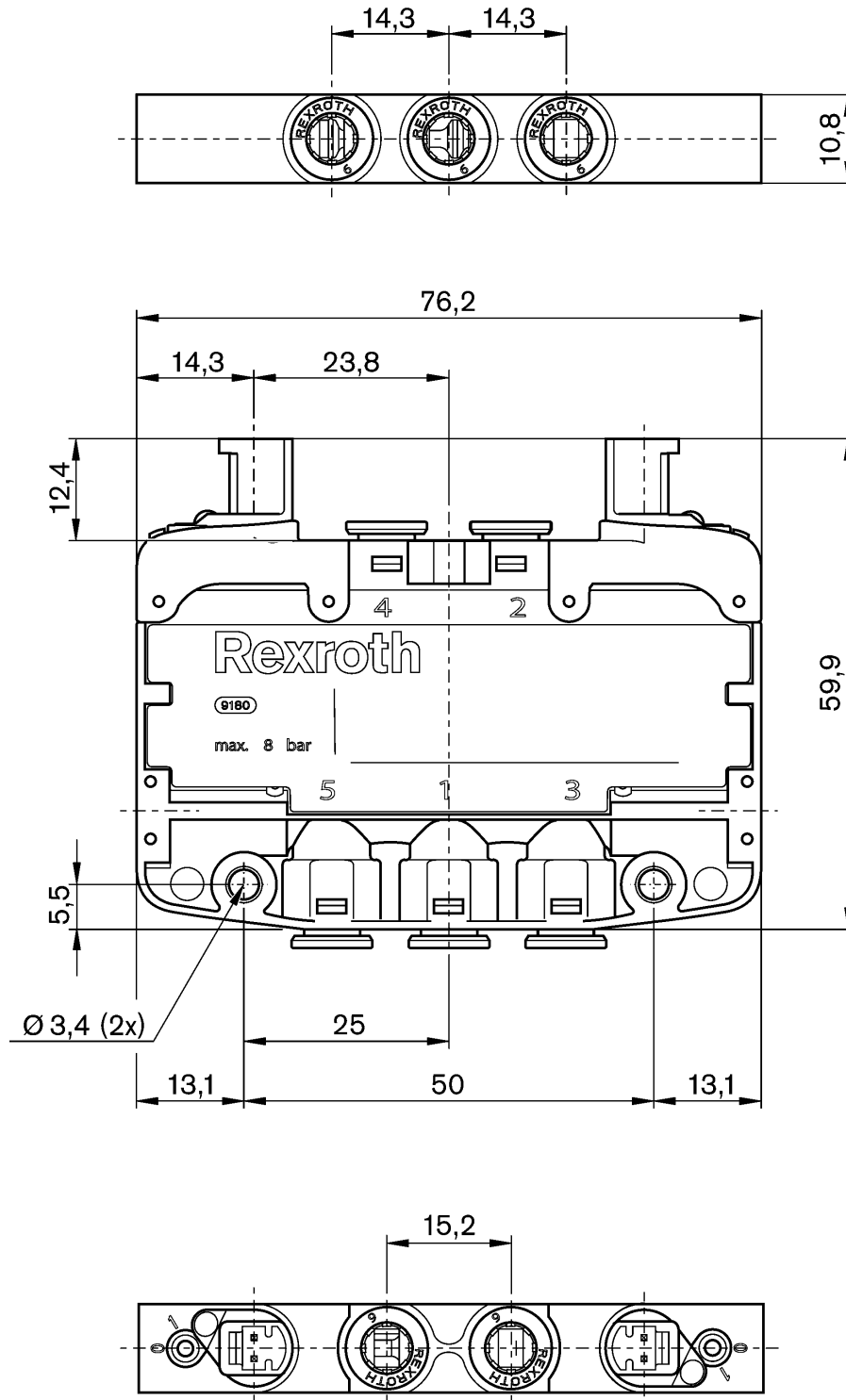
pneumatics catalog, online pdf, as of 2007-10-23, © Bosch Rexroth AG

Solenoid valves

★ 5/3-way valve, series LS04 AF

Qn = 170 - 350 l/min, push-in fitting, double solenoid, for standard plug, manual override, turn with detent

dimensions



00119569_c

Solenoid valves

★ 5/3-way valve, series LS04 AF

Qn = 170 - 350 l/min, push-in fitting, double solenoid, for M8x1 plug (3-pin), manual override without detent



00119573

Version	spool valve, zero overlap
Working pressure min/max	3 / 8 bar
Ambient temperature min./max.	-10 °C / +50 °C
Medium	compressed air acc. to ISO 8573-1: 2000
Compressed air class	class 7-5-4, class 6-4-3
Medium temperature	-10 °C / +50 °C
Protection class according to EN 60529:2000, with electrical connector	IP65
Duty cycle ED	100%
materials:	
Housing	polyamide
Seal	polyurethane

Operating voltage	Voltage tolerance	Power consumption at 24 V DC
V	DC	W
24 V DC	-10% / +10%	0,7

		Port	Operating voltage	Working pressure min/max [bar]	Qn [l/min]	Flow conductance C [l/s*bar]	Flow conductance b-value	Weight [kg]	LED status display	Part No.
		Ø 4	24 V DC	3 / 8	170	0,8	0,4	0,051	yellow	R422100842
		Ø 6			350					R422100843

★ core products - preferably for new constructions, stockpiling in Laatzen central warehouse, worldwide service

● service products - existing standard program, worldwide service

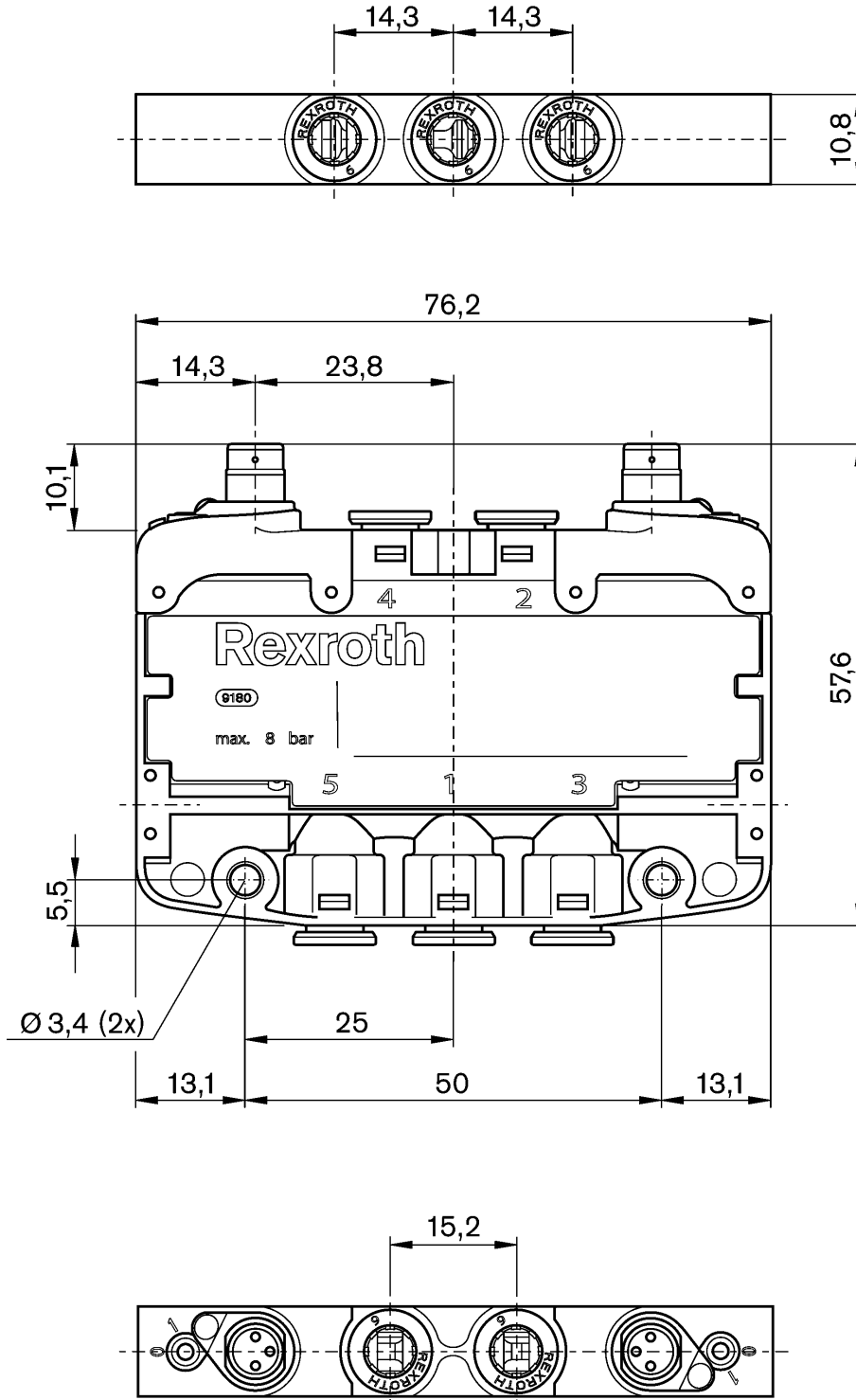
pneumatics catalog, online pdf, as of 2007-10-23, © Bosch Rexroth AG

Solenoid valves

★ 5/3-way valve, series LS04 AF

Qn = 170 - 350 l/min, push-in fitting, double solenoid, for M8x1 plug (3-pin), manual override without detent

dimensions



00119571_b

Solenoid valves

★ 5/3-way valve, series LS04 AF

Qn = 170 - 350 l/min, push-in fitting, double solenoid, for M8x1 plug (3-pin), manual override, turn with detent



00119573

Version	spool valve, zero overlap
Working pressure min/max	3 / 8 bar
Ambient temperature min./max.	-10 °C / +50 °C
Medium	compressed air acc. to ISO 8573-1: 2000
Compressed air class	class 7-5-4, class 6-4-3
Medium temperature	-10 °C / +50 °C
Protection class according to EN 60529:2000, with electrical connector	IP65
Duty cycle ED	100%
materials:	
Housing	polyamide
Seal	polyurethane

Operating voltage	Voltage tolerance	Power consumption at 24 V DC
V	DC	W
24 V DC	-10% / +10%	0,7

		Port	Operating voltage	Working pressure min/max [bar]	Qn [l/min]	Flow conductance C [l/s*bar]	Flow conductance b-value	Weight [kg]	LED status display	Part No.
		Ø 4	24 V DC	3 / 8	170	0,8	0,4	0,051	yellow	R422100846
		Ø 6								R422100847

★ core products - preferably for new constructions, stockpiling in Laatzen central warehouse, worldwide service

● service products - existing standard program, worldwide service

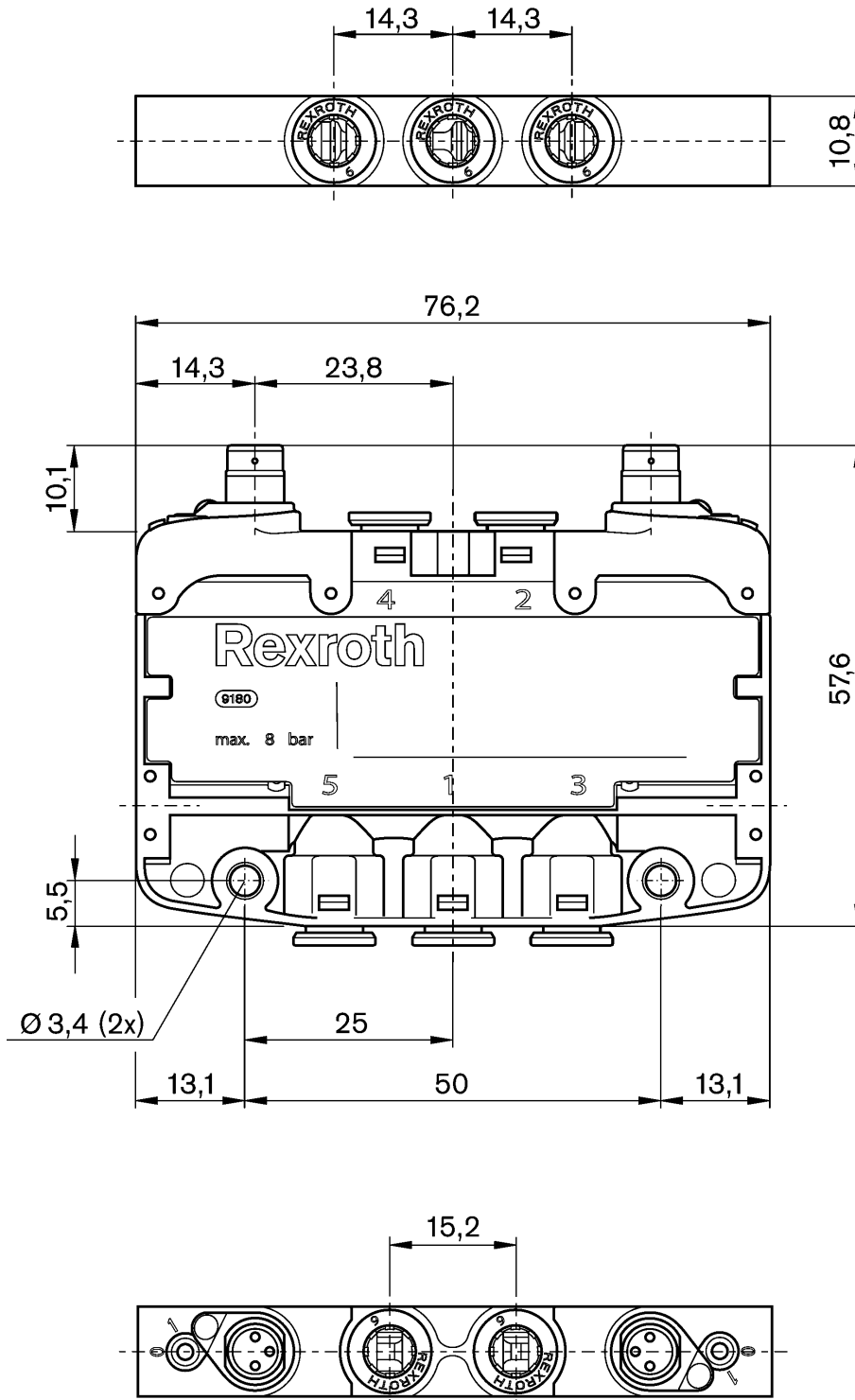
pneumatics catalog, online pdf, as of 2007-10-23, © Bosch Rexroth AG

Solenoid valves

★ 5/3-way valve, series LS04 AF

Qn = 170 - 350 l/min, push-in fitting, double solenoid, for M8x1 plug (3-pin), manual override, turn with detent

dimensions



00119571_c

★
Accessories

★ **Connecting cable, Series CN1**
M8x1 fitting, straight and angled (3 poles)

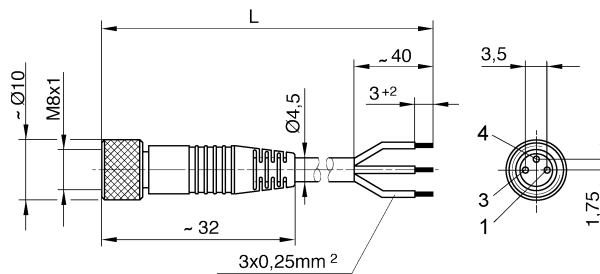


00107009

Ambient temperature min./max. -40 °C / +85 °C
 Protection class according to DIN EN 60529:2000 IP65
 materials:
 Cable material polyurethane
 Color black

	Voltage [V AC]	Voltage [V DC]	Current [A]	Length [m]	Weight [kg]	Note	Part No.
	60	75	4	3	0,091	Fig. 1	1834484166
				5	0,145	Fig. 1	1834484168
				10	0,33	Fig. 1	1834484247
				-	0,008	Fig. 1	1834484173
				3	0,092	Fig. 2	1834484167
				5	0,141	Fig. 2	1834484169
				10	0,276	Fig. 2	1834484248
				15	0,431	Fig. 2	1834484249
				-	0,008	Fig. 2	1834484174

Fig. 1

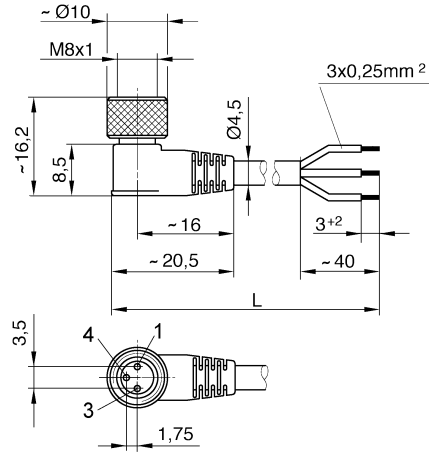


00105612_a

(1) BN=brown (3) BU=blue (4) BK=black
 L = length

★
Accessories

Fig. 2



00105612_b

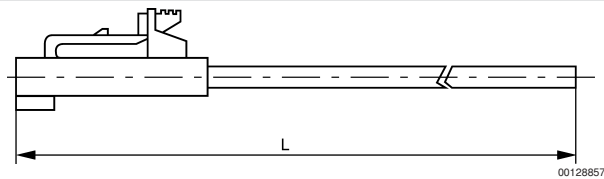
(1) BN=brown (3) BU=blue (4) BK=black
L = length

● **Plug connector**
for series DO, for series LS04, WV04

	Length [m]	Weight [kg]	Note	Part No.
	5	0,042	-	1834484265
	3	0,026	-	1834484266
	-	0,003	1)	1834484267

1) without cable

dimensions



00128857

L = length

Bosch Rexroth AG
Pneumatics
Ulmer Straße 4
D - 30880 Laatzen
Phone +49 511 2136-0
Fax +49 511 2136-2 69
sales-pneumatics@boschrexroth.de
www.boschrexroth.com/pneumatics

Your contact:

Canada

Bosch Rexroth Canada Corp.
3426 Mainway Drive
Burlington, Ontario L7M 1A8
Tel. +1 905 335-5511
Fax +1 905 335-4184

Australia

Bosch Rexroth Pty. Ltd.
3 Valediction Road
Kings Park NSW 2148
Sydney
Tel. +61 2 9831-7788
Fax +61 2 9831-5553

U.S.A.

Bosch Rexroth Corp.
1953 Mercer Road
Lexington, KY 40511-1021
Kentucky
Tel. +1 859 254-8031
Fax +1 859 254-4188

Great Britain

Bosch Rexroth Ltd.
Broadway Lane
South Cerney
Cirencester, GL7 5UH
Gloucestershire
Tel. +44 1285 86-3000
Fax +44 1285 86-3003

further contacts:
www.boschrexroth.com/addresses

The data specified above only serve to describe the product. No statements concerning a certain condition or suitability for a certain application can be derived from our information. The information given does not release the user from the obligation of own judgment and verification. It must be remembered that our products are subject to a natural process of wear and aging.

© This document, as well as the data, specifications and other informations set forth in it, are the exclusive property of Bosch Rexroth AG. Without their consent it may not be reproduced or given to third parties.

Subject to modifications.
Printed in Germany.
Order no.
23-10-2007