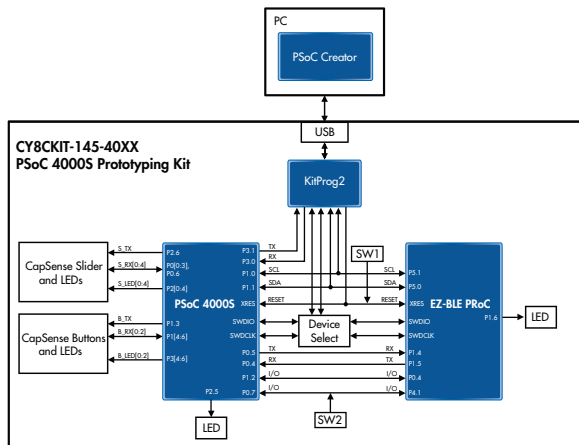
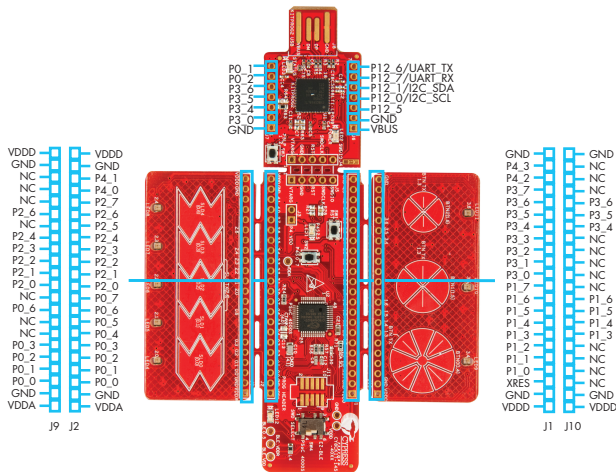


CY8CKIT-145-40XX PSoC® 4000S PROTOTYPING KIT QUICK START GUIDE

Block Diagram



Pinout Description



Power the PSoC 4000S Prototyping board by plugging the PCB USB connector (J8) to your computer. Touch the CapSense buttons or slide your finger on the CapSense slider. Based on the CapSense button touched or the finger position on the CapSense slider, corresponding LEDs will turn ON.

For more information, please visit: www.cypress.com/CY8CKIT-145-40XX

Design the way you think!



Cypress Semiconductor CY8CKIT-145-40XX PSoC® 4000S Prototyping Kit



Contents under the label