
50 mA Voltage Regulator (Wide Input Voltage Range) for Automotive Applications

NO. EC-153-150701

OUTLINE

The R1515x series are CMOS-based positive voltage regulator (VR) ICs featuring 50mA output current. The R1515xxxxB has features of high input voltage and ultra-low supply current. A peak current limit circuit, a short current limit circuit, and a thermal shutdown circuit are built in the R1515x series.

The operating temperature is -40°C to 105°C and the maximum input voltage is 36V, the R1515x series are very suitable for power source of car accessories.

The regulator output voltage is fixed in the R1515xxxxB and can be selected with a step of 0.1V in the range of 2.0V to 12.0V. Output voltage accuracy is $\pm 2\%$.

The packages for these ICs are the SOT-89-5 for space saving and the HSOP-6J for higher power applications.

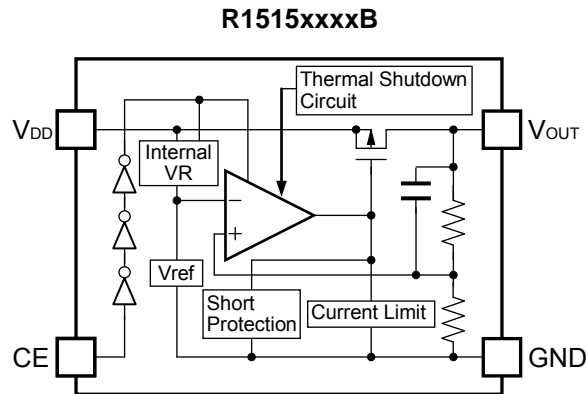
FEATURES

- Input Voltage Range (Maximum Rating)..... 4V to 36V (50V)
- Supply Current Typ. $9\mu\text{A}$
- Standby Current..... Typ. $0.1\mu\text{A}$
- Temperature-Drift Coefficient of Output Voltage ... Typ. $\pm 100\text{ppm}/^{\circ}\text{C}$
- Output Current Min. 50mA ($V_{\text{IN}}=V_{\text{OUT}}+3.0\text{V}$)
- Line Regulation Typ. 0.05%/V
- Output Voltage Accuracy..... $\pm 2\%$
- Packages SOT-89-5, HSOP-6J
- Output Voltage Range..... 2.0V to 12.0V (0.1V step)
- Built-in Peak Current Limit Circuit
- Built-in Short Current Limit Circuit Typ. 50mA
- Built-in Thermal Shutdown Circuit
- Operating Temperature -40°C to 105°C

APPLICATIONS

- Power source for car accessories such as car audio equipment, car navigation system, and ETC system.
- Power source for ECUs such as EV inverter and battery charge control unit.

BLOCK DIAGRAM



SELECTION GUIDE

The output voltage and the package for the ICs can be selected at the user's request.

Product Name	Package	Quantity per Reel	Pb Free	Halogen Free
R1515HxxxB-T1-#E	SOT-89-5	1,000 pcs	Yes	Yes
R1515SxxxB-E2-#E	HSOP-6J	1,000 pcs	Yes	Yes

xxx : The output voltage can be designated in the range of 2.0V (020) to 12.0V (120) in 0.1V step.

: Specify Automotive Class Code

	Operating Temperature Range	Guaranteed Specs Temperature Range	Screening
A	-40°C to 105°C	25°C	High Temperature
J	-40°C to 105°C	25°C	High and Low Temperature

PIN DESCRIPTIONS



• SOT-89-5

Pin No.	Symbol	Description
1	V_{OUT}	Output Pin
2	GND*	Ground Pin
3	CE	Chip Enable Pin ("H" Active)
4	GND*	Ground Pin
5	V_{DD}	Input Pin

*) The GND pin must be wired together when it is mounted on board.

• HSOP-6J

Pin No.	Symbol	Description
1	V_{OUT}	Output Pin
2	GND*	Ground Pin
3	CE	Chip Enable Pin ("H" Active)
4	GND*	Ground Pin
5	GND*	Ground Pin
6	V_{DD}	Input Pin

*) The GND pin must be wired together when it is mounted on board.

R1515x

NO.EC-153-150701

ABSOLUTE MAXIMUM RATINGS

Symbol	Item		Rating	Unit	
V _{IN}	Input Voltage		-0.3~50	V	
V _{IN}	Peak Input Voltage ^{*1}		60	V	
V _{CE}	Input Voltage (CE Pin)		-0.3~V _{IN} +0.3≤50	V	
V _{OUT}	Output Voltage		-0.3~V _{IN} +0.3≤50	V	
I _{OUT}	Output Current		150	mA	
P _D	Power Dissipation ^{*2}	SOT-89-5	Standard Land Pattern	900	mW
			High Wattage Land Pattern	1300	
		HSOP-6J	Standard Land Pattern	1700	
			Ultra High Wattage Land Pattern	2700	
T _j	Junction Temperature		-40 to 125	°C	
T _{stg}	Storage Temperature Range		-55 to 125	°C	

^{*1} Duration time: 200ms

^{*2} Refer to *PACKAGE INFORMATION* for detailed information.

ABSOLUTE MAXIMUM RATINGS

Electronic and mechanical stress momentarily exceeded absolute maximum ratings may cause the permanent damages and may degrade the life time and safety for both device and system using the device in the field. The functional operation at or over these absolute maximum ratings is not assured.

RECOMMENDED OPERATING CONDITIONS

Symbol	Item	Rating	Unit
V _{IN}	Input Voltage	4 to 36	V
T _a	Operating Temperature Range	-40 to 105	°C

RECOMMENDED OPERATING CONDITIONS

All of electronic equipment should be designed that the mounted semiconductor devices operate within the recommended operating conditions. The semiconductor devices cannot operate normally over the recommended operating conditions, even if when they are used over such conditions by momentary electronic noise or surge. And the semiconductor devices may receive serious damage when they continue to operate over the recommended operating conditions.

ELECTRICAL CHARACTERISTICS

The specifications surrounded by \square are guaranteed by design engineering at $-40^{\circ}\text{C} \leq T_a \leq 105^{\circ}\text{C}$.

R1515xxxxB

($T_a=25^{\circ}\text{C}$)

Symbol	Item	Conditions	Min.	Typ.	Max.	Unit
I_{SS}	Supply Current	$V_{IN}=V_{OUT}+3.0\text{V}$, $I_{OUT}=0\text{mA}$		9	$\square 20$	μA
$I_{standby}$	Standby Current	$V_{IN}=36\text{V}$, $V_{CE}=0\text{V}$		0.1	$\square 1.0$	μA
V_{OUT}	Output Voltage	$V_{IN}=V_{OUT}+3.0\text{V}$, $I_{OUT}=1\text{mA}$	$T_a = 25^{\circ}\text{C}$	$\times 0.98$	$\times 1.02$	V
			$-40^{\circ}\text{C} \leq T_a \leq 105^{\circ}\text{C}$	$\square \times 0.97$	$\square \times 1.03$	V
I_{OUT}	Output Current	$V_{IN}=V_{OUT}+3.0\text{V}$	$\square 50$			mA
$\Delta V_{OUT}/\Delta I_{OUT}$	Load Regulation	$V_{IN}=V_{OUT}+3.0\text{V}$, $1\text{mA} \leq I_{OUT} \leq 40\text{mA}$	Refer to the <i>Product-specific Electrical Characteristics</i>			
$\Delta V_{OUT}/\Delta V_{IN}$	Line Regulation	$V_{OUT}+1.5\text{V} \leq V_{IN} \leq 36\text{V}$, $I_{OUT}=1\text{mA}$		0.05	$\square 0.20$	%/V
V_{DIF}	Dropout Voltage	$I_{OUT}=20\text{mA}$	Refer to the <i>Product-specific Electrical Characteristics</i>			
I_{SC}	Short Current Limit	$V_{OUT}=0\text{V}$		50		mA
V_{CEH}	CE Input Voltage "H"		$\square 1.5$		V_{IN}	V
V_{CEL}	CE Input Voltage "L"		0		$\square 0.3$	V
T_{TSD}	Thermal Shutdown Temperature	Junction Temperature		150		$^{\circ}\text{C}$
T_{TSR}	Thermal Shutdown Released Temperature	Junction Temperature		125		$^{\circ}\text{C}$

All test items listed under Electrical Characteristics are done under the pulse load condition ($T_j \approx T_a = 25^{\circ}\text{C}$).

R1515x

NO.EC-153-150701

Product-specific Electrical Characteristics

The specifications surrounded by are guaranteed by design engineering at $-40^{\circ}\text{C} \leq T_a \leq 105^{\circ}\text{C}$

($T_a = 25^{\circ}\text{C}$)

Product Name	V_{OUT} [V]						$\Delta V_{\text{OUT}}/\Delta I_{\text{OUT}}$ [mV]		V_{DIF} [V]		
	$T_a = 25^{\circ}\text{C}$			$-40^{\circ}\text{C} \leq T_a \leq 105^{\circ}\text{C}$			TYP.	MAX.	TYP.	$T_a = 25^{\circ}\text{C}$	$-40^{\circ}\text{C} \leq T_a \leq 105^{\circ}\text{C}$
	MIN.	TYP.	MAX.	MIN.	TYP.	MAX.				MAX.	MAX.
R1515x020B	1.960	2.000	2.040	<input type="checkbox"/> 1.940	2.000	<input type="checkbox"/> 2.060	10	<input type="checkbox"/> 25	-	2.00	<input type="checkbox"/> 2.00
R1515x021B	2.058	2.100	2.142	<input type="checkbox"/> 2.037	2.100	<input type="checkbox"/> 2.163				1.90	<input type="checkbox"/> 1.90
R1515x022B	2.156	2.200	2.244	<input type="checkbox"/> 2.134	2.200	<input type="checkbox"/> 2.266				1.80	<input type="checkbox"/> 1.80
R1515x023B	2.254	2.300	2.346	<input type="checkbox"/> 2.231	2.300	<input type="checkbox"/> 2.369				1.70	<input type="checkbox"/> 1.70
R1515x024B	2.352	2.400	2.448	<input type="checkbox"/> 2.328	2.400	<input type="checkbox"/> 2.472				1.60	<input type="checkbox"/> 1.60
R1515x025B	2.450	2.500	2.550	<input type="checkbox"/> 2.425	2.500	<input type="checkbox"/> 2.575				1.50	<input type="checkbox"/> 1.50
R1515x026B	2.548	2.600	2.652	<input type="checkbox"/> 2.522	2.600	<input type="checkbox"/> 2.678				1.40	<input type="checkbox"/> 1.40
R1515x027B	2.646	2.700	2.754	<input type="checkbox"/> 2.619	2.700	<input type="checkbox"/> 2.781				1.30	<input type="checkbox"/> 1.30
R1515x028B	2.744	2.800	2.856	<input type="checkbox"/> 2.716	2.800	<input type="checkbox"/> 2.884				1.20	<input type="checkbox"/> 1.20
R1515x029B	2.842	2.900	2.958	<input type="checkbox"/> 2.813	2.900	<input type="checkbox"/> 2.987				1.10	<input type="checkbox"/> 1.10
R1515x030B	2.940	3.000	3.060	<input type="checkbox"/> 2.910	3.000	<input type="checkbox"/> 3.090				1.00	<input type="checkbox"/> 1.00
R1515x031B	3.038	3.100	3.162	<input type="checkbox"/> 3.007	3.100	<input type="checkbox"/> 3.193				0.90	<input type="checkbox"/> 0.90
R1515x032B	3.136	3.200	3.264	<input type="checkbox"/> 3.104	3.200	<input type="checkbox"/> 3.296				0.80	<input type="checkbox"/> 0.80
R1515x033B	3.234	3.300	3.366	<input type="checkbox"/> 3.201	3.300	<input type="checkbox"/> 3.399				0.70	<input type="checkbox"/> 0.70
R1515x034B	3.332	3.400	3.468	<input type="checkbox"/> 3.298	3.400	<input type="checkbox"/> 3.502				0.60	<input type="checkbox"/> 0.70
R1515x035B	3.430	3.500	3.570	<input type="checkbox"/> 3.395	3.500	<input type="checkbox"/> 3.605				0.50	<input type="checkbox"/> 0.60
R1515x036B	3.528	3.600	3.672	<input type="checkbox"/> 3.492	3.600	<input type="checkbox"/> 3.708			0.40	<input type="checkbox"/> 0.60	
R1515x037B	3.626	3.700	3.774	<input type="checkbox"/> 3.589	3.700	<input type="checkbox"/> 3.811			0.35	0.60	<input type="checkbox"/> 0.60
R1515x038B	3.724	3.800	3.876	<input type="checkbox"/> 3.686	3.800	<input type="checkbox"/> 3.914					
R1515x039B	3.822	3.900	3.978	<input type="checkbox"/> 3.783	3.900	<input type="checkbox"/> 4.017					
R1515x040B	3.920	4.000	4.080	<input type="checkbox"/> 3.880	4.000	<input type="checkbox"/> 4.120			0.25	0.40	<input type="checkbox"/> 0.50
R1515x041B	4.018	4.100	4.182	<input type="checkbox"/> 3.977	4.100	<input type="checkbox"/> 4.223					
R1515x042B	4.116	4.200	4.284	<input type="checkbox"/> 4.074	4.200	<input type="checkbox"/> 4.326					
R1515x043B	4.214	4.300	4.386	<input type="checkbox"/> 4.171	4.300	<input type="checkbox"/> 4.429					
R1515x044B	4.312	4.400	4.488	<input type="checkbox"/> 4.268	4.400	<input type="checkbox"/> 4.532					
R1515x045B	4.410	4.500	4.590	<input type="checkbox"/> 4.365	4.500	<input type="checkbox"/> 4.635					
R1515x046B	4.508	4.600	4.692	<input type="checkbox"/> 4.462	4.600	<input type="checkbox"/> 4.738					
R1515x047B	4.606	4.700	4.794	<input type="checkbox"/> 4.559	4.700	<input type="checkbox"/> 4.841					
R1515x048B	4.704	4.800	4.896	<input type="checkbox"/> 4.656	4.800	<input type="checkbox"/> 4.944					
R1515x049B	4.802	4.900	4.998	<input type="checkbox"/> 4.753	4.900	<input type="checkbox"/> 5.047					

(Ta=25°C)

Product Name	V _{OUT} [V]						ΔV _{OUT} /ΔI _{OUT} [mV]		V _{DIF} [V]		
	Ta = 25°C			-40°C ≤ Ta ≤ 105°C			TYP.	MAX.	TYP.	Ta = 25°C	-40°C ≤ Ta ≤ 105°C
	MIN.	TYP.	MAX.	MIN.	TYP.	MAX.				MAX.	MAX.
R1515x050B	4.900	5.000	5.100	4.850	5.000	5.150	20	35	0.20	0.35	0.40
R1515x051B	4.998	5.100	5.202	4.947	5.100	5.253					
R1515x052B	5.096	5.200	5.304	5.044	5.200	5.356					
R1515x053B	5.194	5.300	5.406	5.141	5.300	5.459					
R1515x054B	5.292	5.400	5.508	5.238	5.400	5.562					
R1515x055B	5.390	5.500	5.610	5.335	5.500	5.665					
R1515x056B	5.488	5.600	5.712	5.432	5.600	5.768					
R1515x057B	5.586	5.700	5.814	5.529	5.700	5.871					
R1515x058B	5.684	5.800	5.916	5.626	5.800	5.974					
R1515x059B	5.782	5.900	6.018	5.723	5.900	6.077					
R1515x060B	5.880	6.000	6.120	5.820	6.000	6.180					
R1515x061B	5.978	6.100	6.222	5.917	6.100	6.283					
R1515x062B	6.076	6.200	6.324	6.014	6.200	6.386					
R1515x063B	6.174	6.300	6.426	6.111	6.300	6.489					
R1515x064B	6.272	6.400	6.528	6.208	6.400	6.592					
R1515x065B	6.370	6.500	6.630	6.305	6.500	6.695					
R1515x066B	6.468	6.600	6.732	6.402	6.600	6.798					
R1515x067B	6.566	6.700	6.834	6.499	6.700	6.901					
R1515x068B	6.664	6.800	6.936	6.596	6.800	7.004					
R1515x069B	6.762	6.900	7.038	6.693	6.900	7.107					
R1515x070B	6.860	7.000	7.140	6.790	7.000	7.210					
R1515x071B	6.958	7.100	7.242	6.887	7.100	7.313					
R1515x072B	7.056	7.200	7.344	6.984	7.200	7.416					
R1515x073B	7.154	7.300	7.446	7.081	7.300	7.519					
R1515x074B	7.252	7.400	7.548	7.178	7.400	7.622					
R1515x075B	7.350	7.500	7.650	7.275	7.500	7.725					
R1515x076B	7.448	7.600	7.752	7.372	7.600	7.828					
R1515x077B	7.546	7.700	7.854	7.469	7.700	7.931					
R1515x078B	7.644	7.800	7.956	7.566	7.800	8.034					
R1515x079B	7.742	7.900	8.058	7.663	7.900	8.137					
R1515x080B	7.840	8.000	8.160	7.760	8.000	8.240					
R1515x081B	7.938	8.100	8.262	7.857	8.100	8.343					
R1515x082B	8.036	8.200	8.364	7.954	8.200	8.446					
R1515x083B	8.134	8.300	8.466	8.051	8.300	8.549					
R1515x084B	8.232	8.400	8.568	8.148	8.400	8.652					
R1515x085B	8.330	8.500	8.670	8.245	8.500	8.755					
R1515x086B	8.428	8.600	8.772	8.342	8.600	8.858					
R1515x087B	8.526	8.700	8.874	8.439	8.700	8.961					
R1515x088B	8.624	8.800	8.976	8.536	8.800	9.064					
R1515x089B	8.722	8.900	9.078	8.633	8.900	9.167					

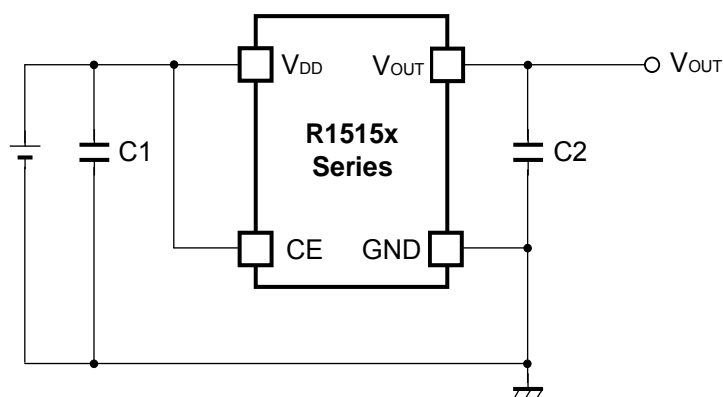
R1515x

NO.EC-153-150701

(Ta = 25°C)

Product Name	V _{OUT} [V]						ΔV _{OUT} /ΔI _{OUT} [mV]		V _{DIF} [V]		
	Ta = 25°C			-40°C ≤ Ta ≤ 105°C			TYP.	MAX.	TYP.	Ta = 25°C	-40°C ≤ Ta ≤ 105°C
	MIN.	TYP.	MAX.	MIN.	TYP.	MAX.				MAX.	MAX.
R1515x090B	8.820	9.000	9.180	8.730	9.000	9.270	20	35	0.20	0.35	0.40
R1515x091B	8.918	9.100	9.282	8.827	9.100	9.373					
R1515x092B	9.016	9.200	9.384	8.924	9.200	9.476					
R1515x093B	9.114	9.300	9.486	9.021	9.300	9.579					
R1515x094B	9.212	9.400	9.588	9.118	9.400	9.682					
R1515x095B	9.310	9.500	9.690	9.215	9.500	9.785					
R1515x096B	9.408	9.600	9.792	9.312	9.600	9.888					
R1515x097B	9.506	9.700	9.894	9.409	9.700	9.991					
R1515x098B	9.604	9.800	9.996	9.506	9.800	10.094					
R1515x099B	9.702	9.900	10.098	9.603	9.900	10.197					
R1515x100B	9.800	10.000	10.200	9.700	10.000	10.300					
R1515x101B	9.898	10.100	10.302	9.797	10.100	10.403					
R1515x102B	9.996	10.200	10.404	9.894	10.200	10.506					
R1515x103B	10.094	10.300	10.506	9.991	10.300	10.609					
R1515x104B	10.192	10.400	10.608	10.088	10.400	10.712					
R1515x105B	10.290	10.500	10.710	10.185	10.500	10.815					
R1515x106B	10.388	10.600	10.812	10.282	10.600	10.918					
R1515x107B	10.486	10.700	10.914	10.379	10.700	11.021					
R1515x108B	10.584	10.800	11.016	10.476	10.800	11.124					
R1515x109B	10.682	10.900	11.118	10.573	10.900	11.227					
R1515x110B	10.780	11.000	11.220	10.670	11.000	11.330					
R1515x111B	10.878	11.100	11.322	10.767	11.100	11.433					
R1515x112B	10.976	11.200	11.424	10.864	11.200	11.536					
R1515x113B	11.074	11.300	11.526	10.961	11.300	11.639					
R1515x114B	11.172	11.400	11.628	11.058	11.400	11.742					
R1515x115B	11.270	11.500	11.730	11.155	11.500	11.845					
R1515x116B	11.368	11.600	11.832	11.252	11.600	11.948					
R1515x117B	11.466	11.700	11.934	11.349	11.700	12.051					
R1515x118B	11.564	11.800	12.036	11.446	11.800	12.154					
R1515x119B	11.662	11.900	12.138	11.543	11.900	12.257					
R1515x120B	11.760	12.000	12.240	11.640	12.000	12.360					

TYPICAL APPLICATION



External Parts Example:

C1	0.1 μ F (Ceramic)
C2	0.1 μ F (Ceramic)

TECHNICAL NOTES

When using these ICs, consider the following points:

Phase Compensation

Phase Compensation of the R1515x Series has been made internally for stable operation even though the load current would vary. Therefore, without the capacitors, C1 and C2, the output voltage is regulated, however, for more stable operation, use capacitors as C1 and C2. Especially, if the input line is long and impedance is high, C1 is necessary. Moreover, if you use rather large C2, transient response will be improved. Recommended value is in the range from 0.1 μ F to 10 μ F. Wiring should be made as short as possible.

Connect the capacitor, C1 between V_{DD} pin and GND pin and C2 between V_{OUT} and GND as close as possible.

GND wiring of mounting on board

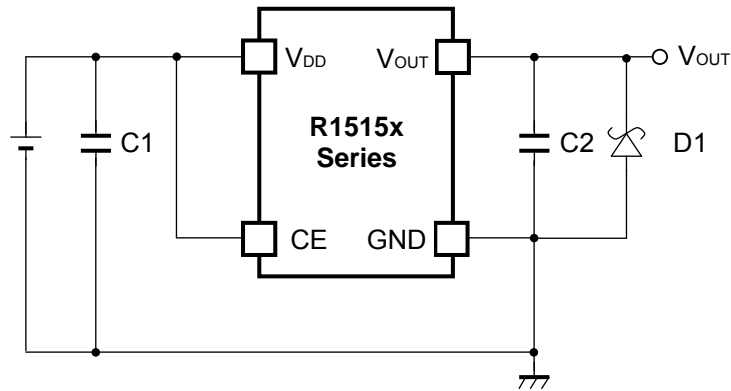
No.2 pin and No.4 pin of SOT-89-5 package must be wired to the GND plane. No.2 pin, No.4 pin and No.5 pin of HSOP-6J package must be wired to the GND plane when it is mounted on board.

Thermal Shutdown

Thermal shutdown function is included in the R1515x Series, if the junction temperature is equal or more than +150°C (Typ.), the operation of regulator would stop. After that, when the junction temperature is equal or less than +125°C (Typ.), the operation of regulator would restart. Unless the cause of rising temperature would remove, the regulator repeats on and off, and output waveform would be like consecutive pulses.

Chip Enable Circuit

Do not make voltage level of chip enable pin keep floating level, or in between V_{CEH} and V_{CEL}. Otherwise, the output voltage would be unstable or indefinite, or unexpected current would flow internally.

TYPICAL APPLICATION FOR IC CHIP BREAKDOWN PREVENTION

When a sudden surge of electrical current travels along the V_{OUT} pin and GND due to a short-circuit, electrical resonance of a circuit involving an output capacitor (C2) and a short circuit inductor generates a negative voltage and may damage the device or the load devices. Connecting a schottky diode (D1) between the V_{OUT} pin and GND has the effect of preventing damage to them.

PACKAGE INFORMATION

POWER DISSIPATION (SOT-89-5)

Power Dissipation (P_D) depends on conditions of mounting on board. This specification is based on the measurement at the condition below:

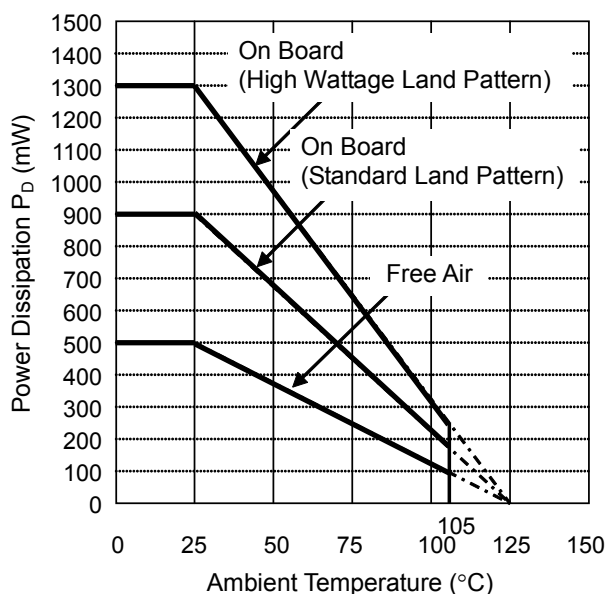
Measurement Conditions (SOT-89-5)

	High Wattage Land Pattern	Standard Land Pattern
Environment	Mounting on board (Wind velocity = 0 m/s)	Mounting on board (Wind velocity = 0 m/s)
Board Material	Glass cloth epoxy plastic (Double sided)	Glass cloth epoxy plastic (Double sided)
Board Dimensions	30 mm x 30 mm x 1.6 mm	50 mm x 50 mm x 1.6 mm
Copper Ratio	Top side: Approx. 20% , Back side: Approx. 100%	Top side: Approx. 10% , Back side: Approx. 100%
Through-hole	$\phi 0.85$ mm x 10 pcs	-

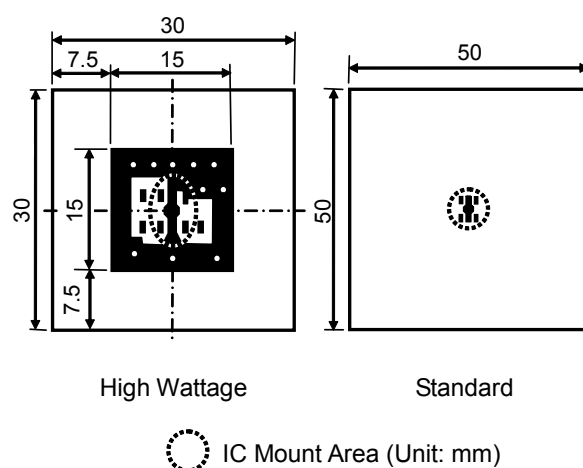
Measurement Result (SOT-89-5)

($T_a = 25^\circ\text{C}$, $T_{j\text{max}} = 125^\circ\text{C}$)

	High Wattage Land Pattern	Standard Land Pattern	Free Air
Power Dissipation	1300 mW	900 mW	500 mW
Thermal Resistance	77°C/W	111°C/W	200°C/W



Power Dissipation vs. Ambience Temperature
(SOT-89-5)

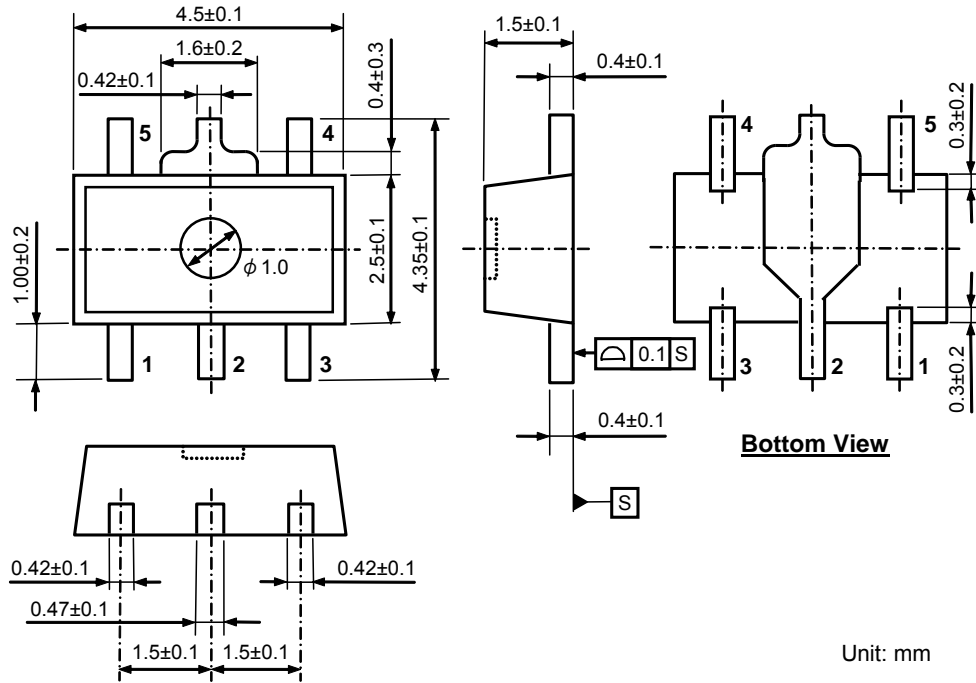


Measurement Board Pattern
(SOT-89-5)

R1515x

NO.EC-153-150701

PACKAGE DIMENSIONS (SOT-89-5)

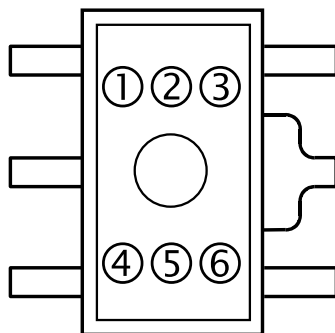


Unit: mm

MARK SPECIFICATION (SOT-89-5)

①②③④: Product Code ... Refer to R1515H MARK SPECIFICATION TABLE

⑤⑥: Lot Number ... Alphanumeric Serial Number



R1515H MARK SPECIFICATION TABLE (SOT-89-5)

Product Name	①②③④	V _{SET}	Product Name	①②③④	V _{SET}	Product Name	①②③④	V _{SET}
R1515H020B	N 0 2 0	2.0 V	R1515H060B	N 0 6 0	6.0 V	R1515H100B	N 1 0 0	10.0 V
R1515H021B	N 0 2 1	2.1 V	R1515H061B	N 0 6 1	6.1 V	R1515H101B	N 1 0 1	10.1 V
R1515H022B	N 0 2 2	2.2 V	R1515H062B	N 0 6 2	6.2 V	R1515H102B	N 1 0 2	10.2 V
R1515H023B	N 0 2 3	2.3 V	R1515H063B	N 0 6 3	6.3 V	R1515H103B	N 1 0 3	10.3 V
R1515H024B	N 0 2 4	2.4 V	R1515H064B	N 0 6 4	6.4 V	R1515H104B	N 1 0 4	10.4 V
R1515H025B	N 0 2 5	2.5 V	R1515H065B	N 0 6 5	6.5 V	R1515H105B	N 1 0 5	10.5 V
R1515H026B	N 0 2 6	2.6 V	R1515H066B	N 0 6 6	6.6 V	R1515H106B	N 1 0 6	10.6 V
R1515H027B	N 0 2 7	2.7 V	R1515H067B	N 0 6 7	6.7 V	R1515H107B	N 1 0 7	10.7 V
R1515H028B	N 0 2 8	2.8 V	R1515H068B	N 0 6 8	6.8 V	R1515H108B	N 1 0 8	10.8 V
R1515H029B	N 0 2 9	2.9 V	R1515H069B	N 0 6 9	6.9 V	R1515H109B	N 1 0 9	10.9 V
R1515H030B	N 0 3 0	3.0 V	R1515H070B	N 0 7 0	7.0 V	R1515H110B	N 1 1 0	11.0 V
R1515H031B	N 0 3 1	3.1 V	R1515H071B	N 0 7 1	7.1 V	R1515H111B	N 1 1 1	11.1 V
R1515H032B	N 0 3 2	3.2 V	R1515H072B	N 0 7 2	7.2 V	R1515H112B	N 1 1 2	11.2 V
R1515H033B	N 0 3 3	3.3 V	R1515H073B	N 0 7 3	7.3 V	R1515H113B	N 1 1 3	11.3 V
R1515H034B	N 0 3 4	3.4 V	R1515H074B	N 0 7 4	7.4 V	R1515H114B	N 1 1 4	11.4 V
R1515H035B	N 0 3 5	3.5 V	R1515H075B	N 0 7 5	7.5 V	R1515H115B	N 1 1 5	11.5 V
R1515H036B	N 0 3 6	3.6 V	R1515H076B	N 0 7 6	7.6 V	R1515H116B	N 1 1 6	11.6 V
R1515H037B	N 0 3 7	3.7 V	R1515H077B	N 0 7 7	7.7 V	R1515H117B	N 1 1 7	11.7 V
R1515H038B	N 0 3 8	3.8 V	R1515H078B	N 0 7 8	7.8 V	R1515H118B	N 1 1 8	11.8 V
R1515H039B	N 0 3 9	3.9 V	R1515H079B	N 0 7 9	7.9 V	R1515H119B	N 1 1 9	11.9 V
R1515H040B	N 0 4 0	4.0 V	R1515H080B	N 0 8 0	8.0 V	R1515H120B	N 1 2 0	12.0 V
R1515H041B	N 0 4 1	4.1 V	R1515H081B	N 0 8 1	8.1 V			
R1515H042B	N 0 4 2	4.2 V	R1515H082B	N 0 8 2	8.2 V			
R1515H043B	N 0 4 3	4.3 V	R1515H083B	N 0 8 3	8.3 V			
R1515H044B	N 0 4 4	4.4 V	R1515H084B	N 0 8 4	8.4 V			
R1515H045B	N 0 4 5	4.5 V	R1515H085B	N 0 8 5	8.5 V			
R1515H046B	N 0 4 6	4.6 V	R1515H086B	N 0 8 6	8.6 V			
R1515H047B	N 0 4 7	4.7 V	R1515H087B	N 0 8 7	8.7 V			
R1515H048B	N 0 4 8	4.8 V	R1515H088B	N 0 8 8	8.8 V			
R1515H049B	N 0 4 9	4.9 V	R1515H089B	N 0 8 9	8.9 V			
R1515H050B	N 0 5 0	5.0 V	R1515H090B	N 0 9 0	9.0 V			
R1515H051B	N 0 5 1	5.1 V	R1515H091B	N 0 9 1	9.1 V			
R1515H052B	N 0 5 2	5.2 V	R1515H092B	N 0 9 2	9.2 V			
R1515H053B	N 0 5 3	5.3 V	R1515H093B	N 0 9 3	9.3 V			
R1515H054B	N 0 5 4	5.4 V	R1515H094B	N 0 9 4	9.4 V			
R1515H055B	N 0 5 5	5.5 V	R1515H095B	N 0 9 5	9.5 V			
R1515H056B	N 0 5 6	5.6 V	R1515H096B	N 0 9 6	9.6 V			
R1515H057B	N 0 5 7	5.7 V	R1515H097B	N 0 9 7	9.7 V			
R1515H058B	N 0 5 8	5.8 V	R1515H098B	N 0 9 8	9.8 V			
R1515H059B	N 0 5 9	5.9 V	R1515H099B	N 0 9 9	9.9 V			

POWER DISSIPATION (HSOP-6J)

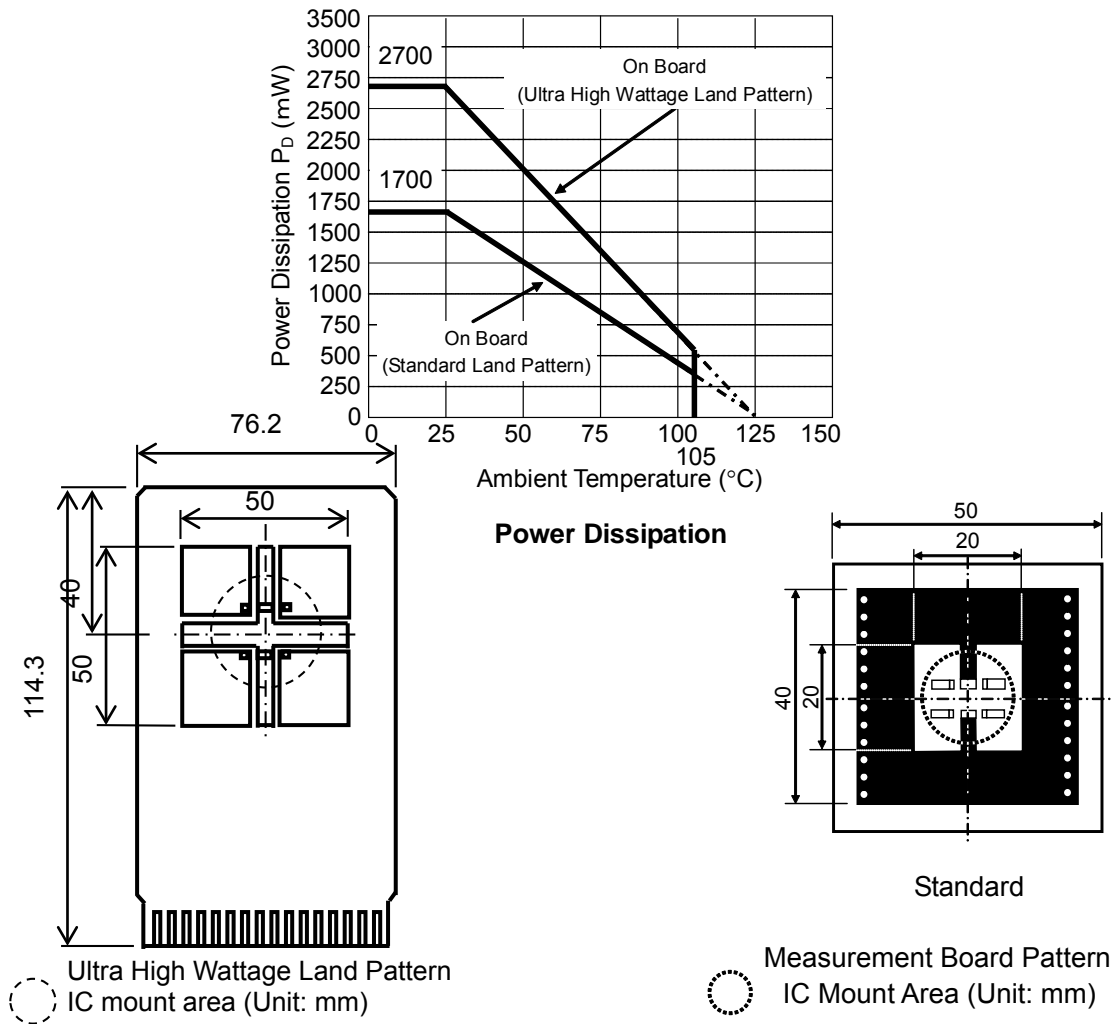
Power Dissipation (P_D) depends on conditions of mounting on board. This specification is based on the measurement at the condition below:

Measurement Conditions

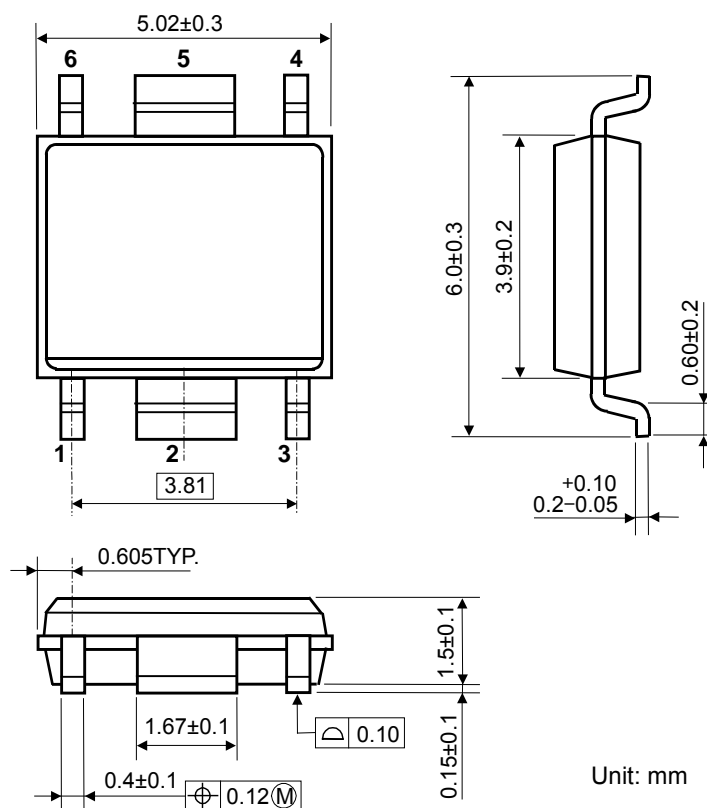
	Ultra High Wattage Land Pattern	Standard Land Pattern
Environment	Mounting on Board (Wind velocity = 0 m/s)	Mounting on Board (Wind velocity = 0 m/s)
Board Material	Glass cloth epoxy plastic (4 Layers)	Glass cloth epoxy plastic (2 Layers)
Board Dimensions	76.2 mm × 114.3 mm × 0.8 mm	50 mm × 50 mm × 1.6 mm
Copper Ratio	96%	50%
Through-hole	φ0.3 mm × 28 pcs	φ0.5 mm × 24 pcs

Measurement Result (Ta = 25°C, Tjmax = 125°C)

	Ultra High Wattage Land Pattern	Standard Land Pattern	Free Air
Power Dissipation	2700 mW	1700 mW	540 mW
Thermal Resistance	37°C/W	59°C/W	185°C/W



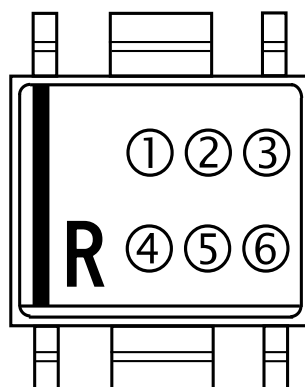
PACKAGE DIMENSIONS (HSOP-6J)



MARK SPECIFICATION (HSOP-6J)

①②③④: Product Code ... Refer to R1515S MARK SPECIFICATION TABLE

⑤⑥: Lot Number ... Alphanumeric Serial Number



R1515x

NO.EC-153-150701

R1515S MARK SPECIFICATION TABLE (HSOP-6J)

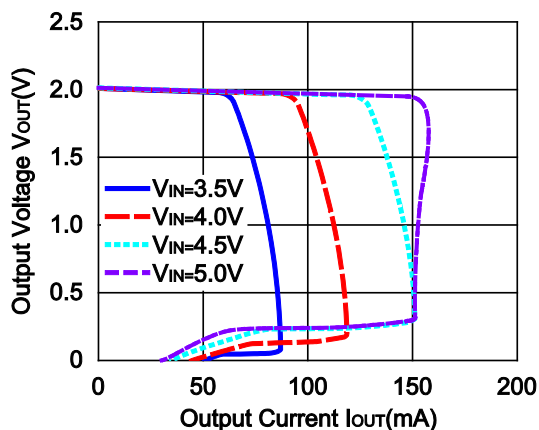
Product Name	①②③④	V _{SET}	Product Name	①②③④	V _{SET}	Product Name	①②③④	V _{SET}
R1515S020B	F 0 2 0	2.0 V	R1515S060B	F 0 6 0	6.0 V	R1515S100B	F 1 0 0	10.0 V
R1515S021B	F 0 2 1	2.1 V	R1515S061B	F 0 6 1	6.1 V	R1515S101B	F 1 0 1	10.1 V
R1515S022B	F 0 2 2	2.2 V	R1515S062B	F 0 6 2	6.2 V	R1515S102B	F 1 0 2	10.2 V
R1515S023B	F 0 2 3	2.3 V	R1515S063B	F 0 6 3	6.3 V	R1515S103B	F 1 0 3	10.3 V
R1515S024B	F 0 2 4	2.4 V	R1515S064B	F 0 6 4	6.4 V	R1515S104B	F 1 0 4	10.4 V
R1515S025B	F 0 2 5	2.5 V	R1515S065B	F 0 6 5	6.5 V	R1515S105B	F 1 0 5	10.5 V
R1515S026B	F 0 2 6	2.6 V	R1515S066B	F 0 6 6	6.6 V	R1515S106B	F 1 0 6	10.6 V
R1515S027B	F 0 2 7	2.7 V	R1515S067B	F 0 6 7	6.7 V	R1515S107B	F 1 0 7	10.7 V
R1515S028B	F 0 2 8	2.8 V	R1515S068B	F 0 6 8	6.8 V	R1515S108B	F 1 0 8	10.8 V
R1515S029B	F 0 2 9	2.9 V	R1515S069B	F 0 6 9	6.9 V	R1515S109B	F 1 0 9	10.9 V
R1515S030B	F 0 3 0	3.0 V	R1515S070B	F 0 7 0	7.0 V	R1515S110B	F 1 1 0	11.0 V
R1515S031B	F 0 3 1	3.1 V	R1515S071B	F 0 7 1	7.1 V	R1515S111B	F 1 1 1	11.1 V
R1515S032B	F 0 3 2	3.2 V	R1515S072B	F 0 7 2	7.2 V	R1515S112B	F 1 1 2	11.2 V
R1515S033B	F 0 3 3	3.3 V	R1515S073B	F 0 7 3	7.3 V	R1515S113B	F 1 1 3	11.3 V
R1515S034B	F 0 3 4	3.4 V	R1515S074B	F 0 7 4	7.4 V	R1515S114B	F 1 1 4	11.4 V
R1515S035B	F 0 3 5	3.5 V	R1515S075B	F 0 7 5	7.5 V	R1515S115B	F 1 1 5	11.5 V
R1515S036B	F 0 3 6	3.6 V	R1515S076B	F 0 7 6	7.6 V	R1515S116B	F 1 1 6	11.6 V
R1515S037B	F 0 3 7	3.7 V	R1515S077B	F 0 7 7	7.7 V	R1515S117B	F 1 1 7	11.7 V
R1515S038B	F 0 3 8	3.8 V	R1515S078B	F 0 7 8	7.8 V	R1515S118B	F 1 1 8	11.8 V
R1515S039B	F 0 3 9	3.9 V	R1515S079B	F 0 7 9	7.9 V	R1515S119B	F 1 1 9	11.9 V
R1515S040B	F 0 4 0	4.0 V	R1515S080B	F 0 8 0	8.0 V	R1515S120B	F 1 2 0	12.0 V
R1515S041B	F 0 4 1	4.1 V	R1515S081B	F 0 8 1	8.1 V			
R1515S042B	F 0 4 2	4.2 V	R1515S082B	F 0 8 2	8.2 V			
R1515S043B	F 0 4 3	4.3 V	R1515S083B	F 0 8 3	8.3 V			
R1515S044B	F 0 4 4	4.4 V	R1515S084B	F 0 8 4	8.4 V			
R1515S045B	F 0 4 5	4.5 V	R1515S085B	F 0 8 5	8.5 V			
R1515S046B	F 0 4 6	4.6 V	R1515S086B	F 0 8 6	8.6 V			
R1515S047B	F 0 4 7	4.7 V	R1515S087B	F 0 8 7	8.7 V			
R1515S048B	F 0 4 8	4.8 V	R1515S088B	F 0 8 8	8.8 V			
R1515S049B	F 0 4 9	4.9 V	R1515S089B	F 0 8 9	8.9 V			
R1515S050B	F 0 5 0	5.0 V	R1515S090B	F 0 9 0	9.0 V			
R1515S051B	F 0 5 1	5.1 V	R1515S091B	F 0 9 1	9.1 V			
R1515S052B	F 0 5 2	5.2 V	R1515S092B	F 0 9 2	9.2 V			
R1515S053B	F 0 5 3	5.3 V	R1515S093B	F 0 9 3	9.3 V			
R1515S054B	F 0 5 4	5.4 V	R1515S094B	F 0 9 4	9.4 V			
R1515S055B	F 0 5 5	5.5 V	R1515S095B	F 0 9 5	9.5 V			
R1515S056B	F 0 5 6	5.6 V	R1515S096B	F 0 9 6	9.6 V			
R1515S057B	F 0 5 7	5.7 V	R1515S097B	F 0 9 7	9.7 V			
R1515S058B	F 0 5 8	5.8 V	R1515S098B	F 0 9 8	9.8 V			
R1515S059B	F 0 5 9	5.9 V	R1515S099B	F 0 9 9	9.9 V			

TYPICAL CHARACTERISTICS

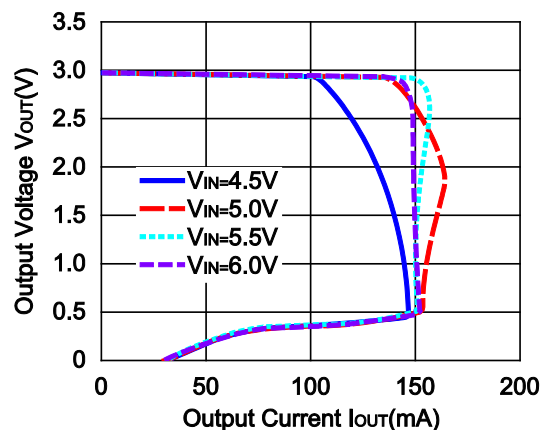
Note: Typical Characteristics are intended to be used as reference data; they are not guaranteed.

1) Output Voltage vs. Output Current ($T_a=25^\circ\text{C}$)

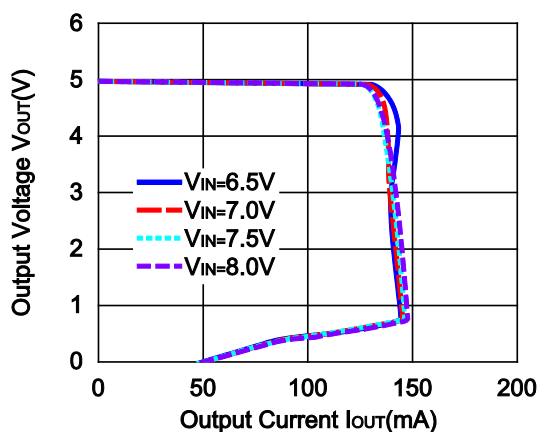
R1515x020B



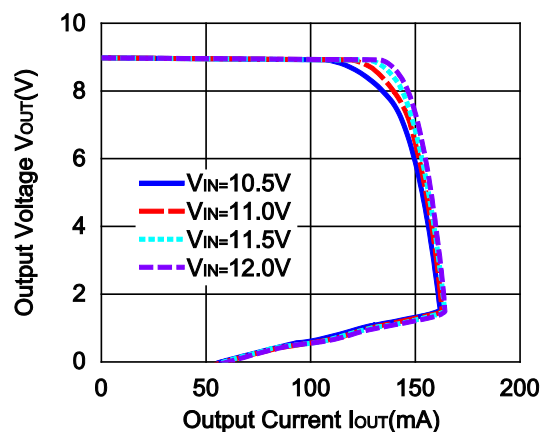
R1515x030B



R1515x050B

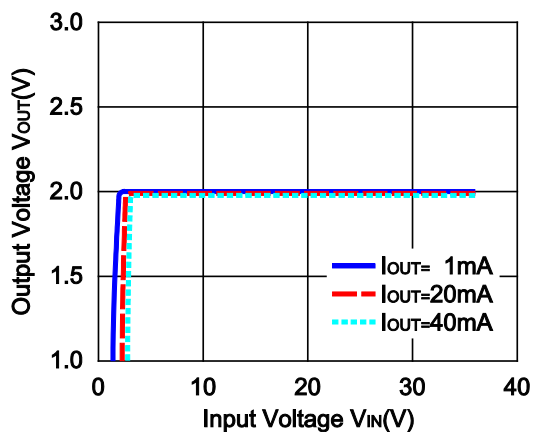


R1515x090B

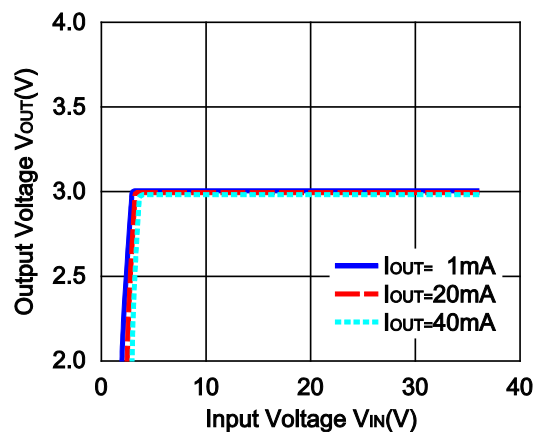


2) Output Voltage vs. Input Voltage ($T_a=25^\circ\text{C}$)

R1515x020B



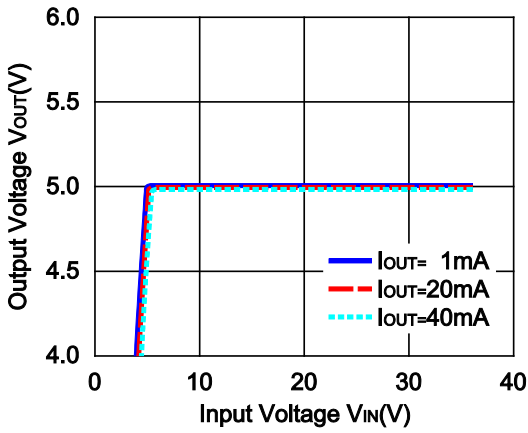
R1515x030B



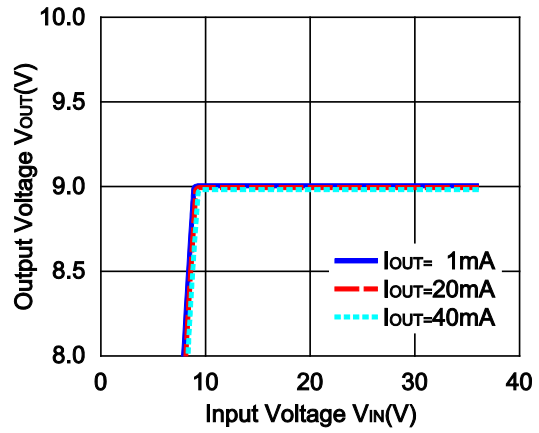
R1515x

NO.EC-153-150701

R1515x050B

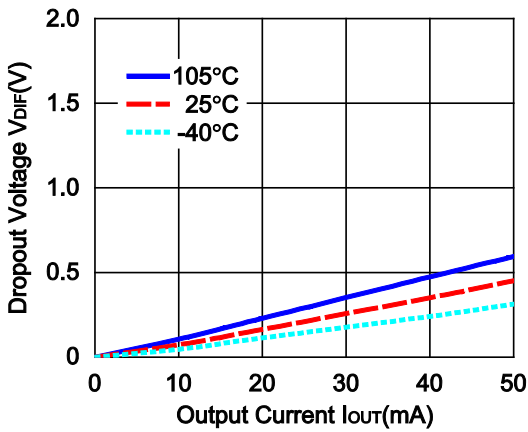


R1515x090B

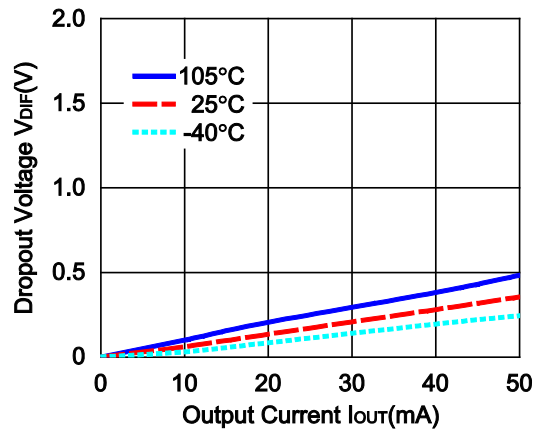


3) Dropout Voltage vs. Output Current

R1515x050B

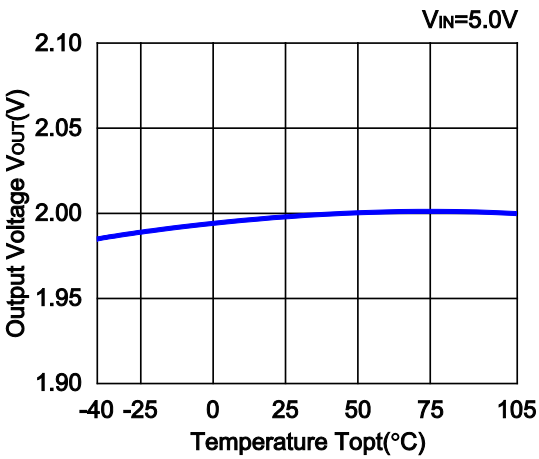


R1515x090B

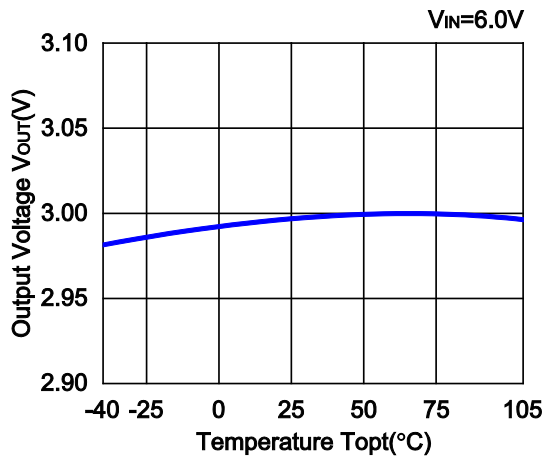


4) Output Voltage vs. Temperature

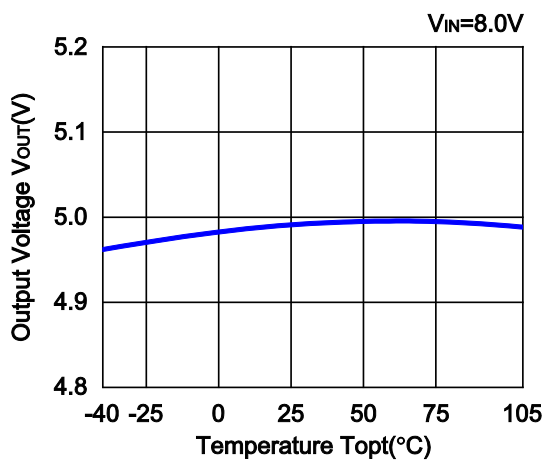
R1515x020B



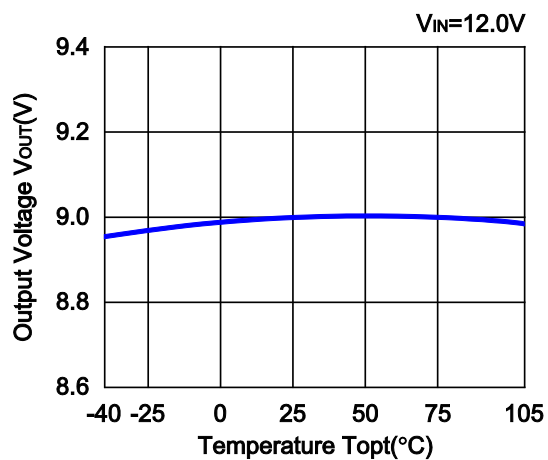
R1515x030B



R1515x050B

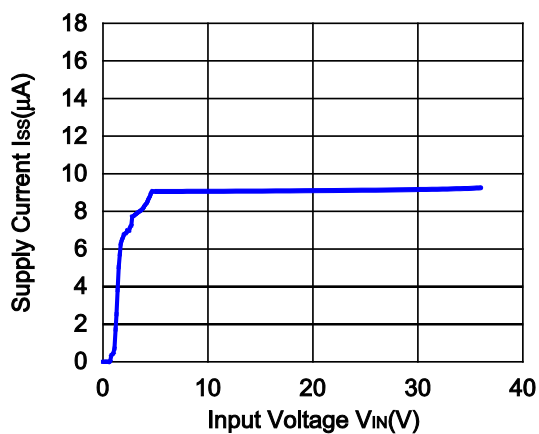


R1515x090B

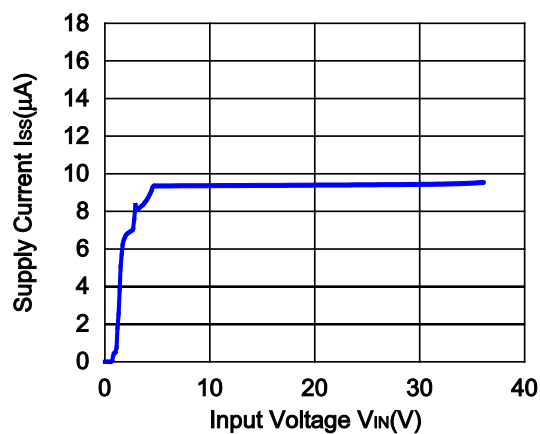


5) Supply Current vs. Input Voltage ($T_a=25^{\circ}C$)

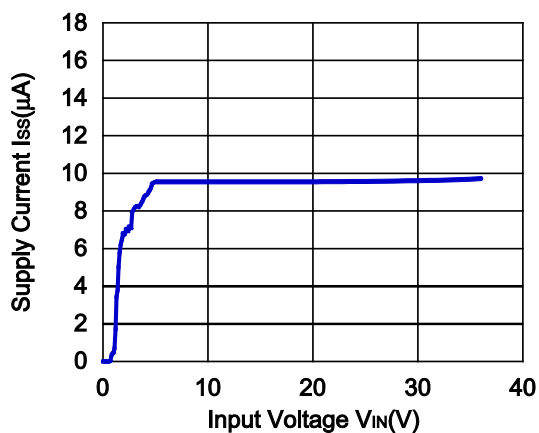
R1515x020B



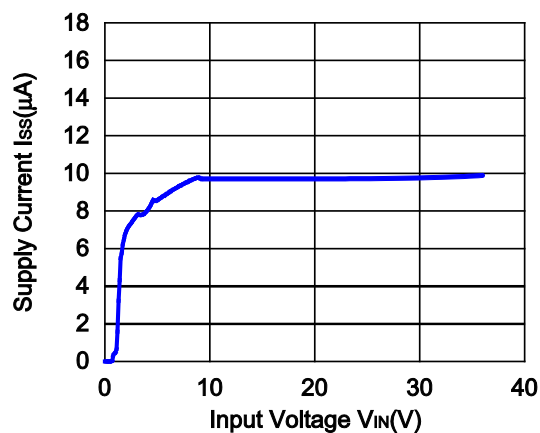
R1515x030B



R1515x050B

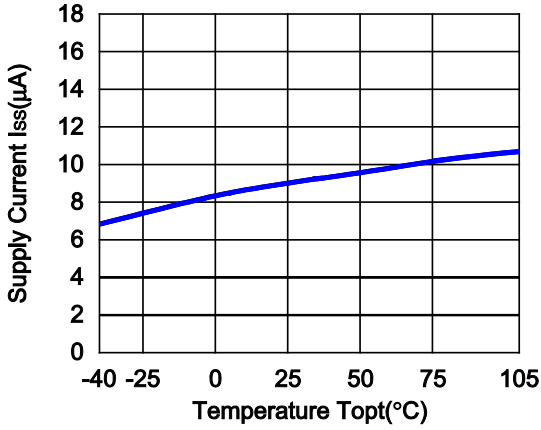


R1515x090B

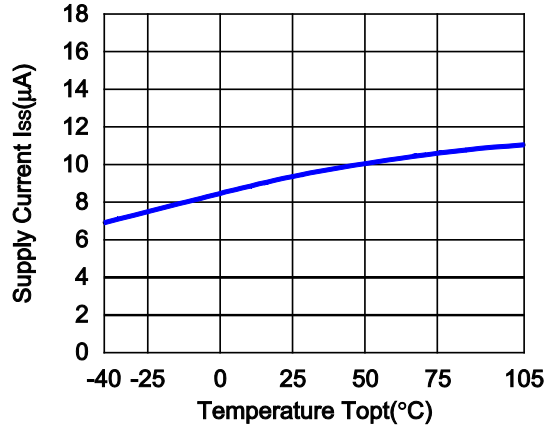


6) Supply Current vs. Temperature

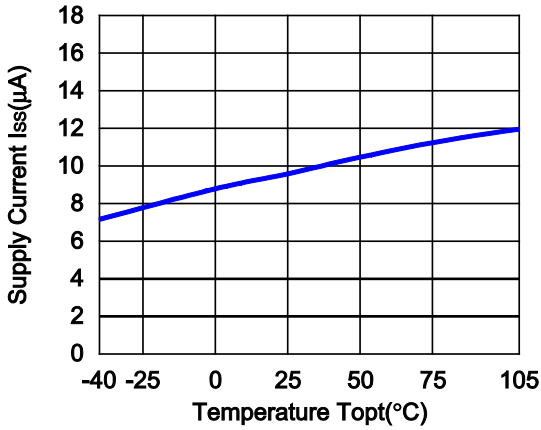
R1515x020B



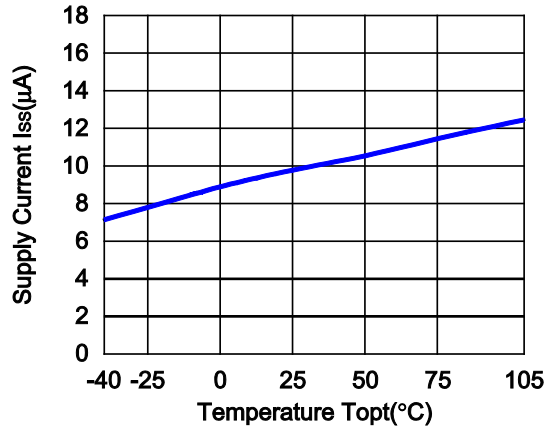
R1515x030B



R1515x050B

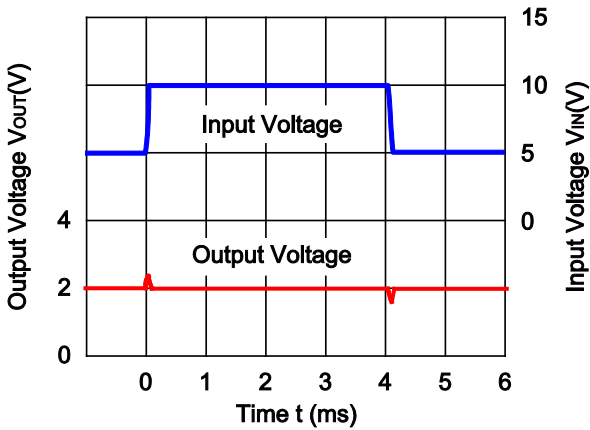


R1515x090B

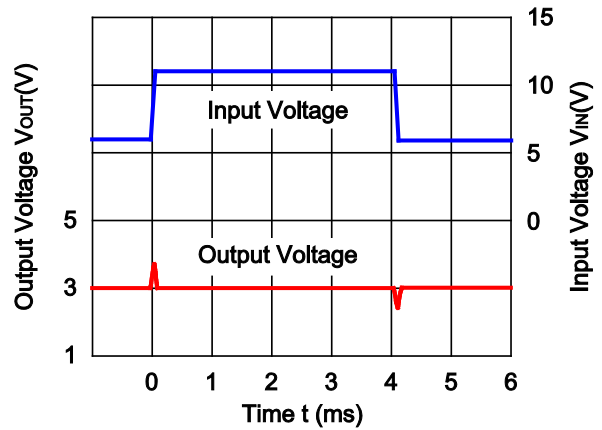


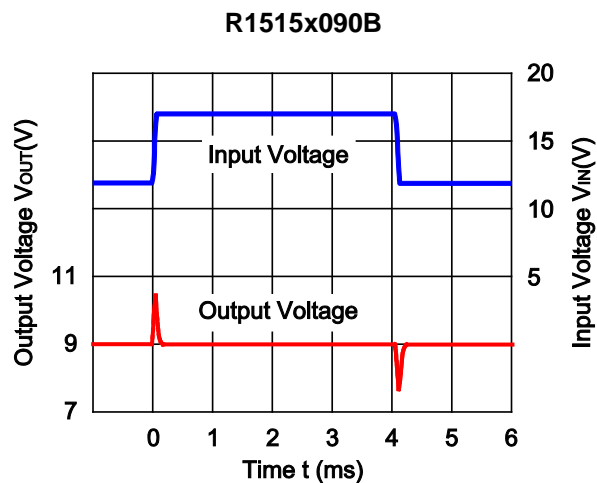
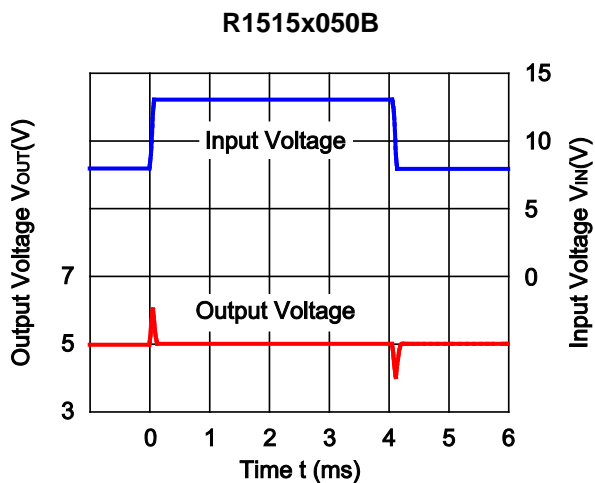
7) Input Transient Response (I_{OUT}=1mA, tr=tf=50μs, C2=Ceramic 0.1μF, Ta=25°C)

R1515x020B

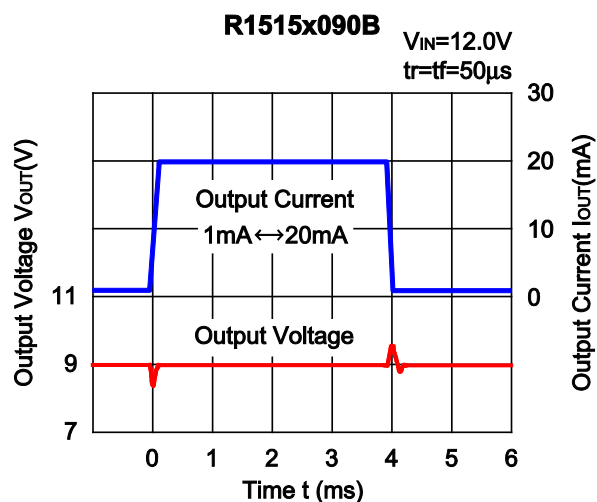
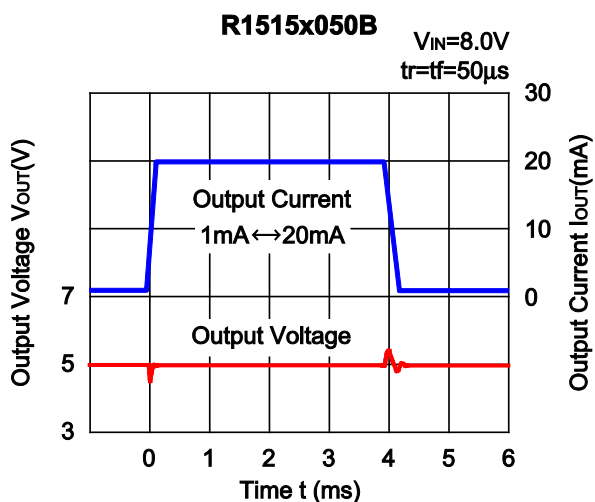
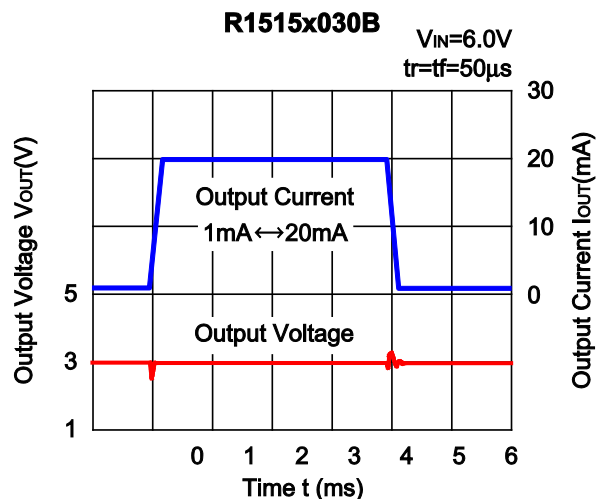
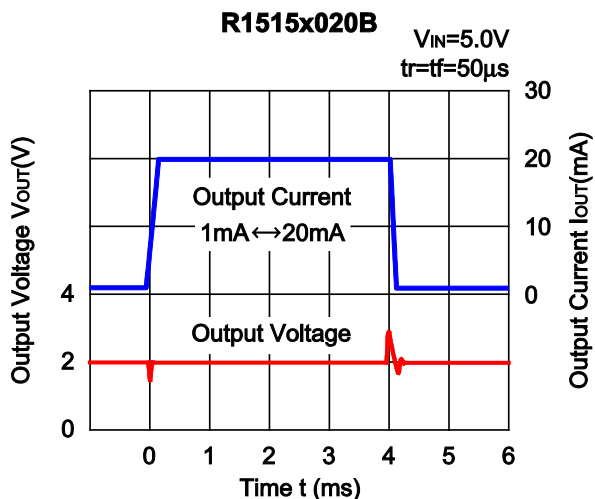


R1515x030B





8) Load Transient Response (C2=Ceramic 0.1 μ F, Ta=25°C)





1. The products and the product specifications described in this document are subject to change or discontinuation of production without notice for reasons such as improvement. Therefore, before deciding to use the products, please refer to Ricoh sales representatives for the latest information thereon.
2. The materials in this document may not be copied or otherwise reproduced in whole or in part without prior written consent of Ricoh.
3. Please be sure to take any necessary formalities under relevant laws or regulations before exporting or otherwise taking out of your country the products or the technical information described herein.
4. The technical information described in this document shows typical characteristics of and example application circuits for the products. The release of such information is not to be construed as a warranty of or a grant of license under Ricoh's or any third party's intellectual property rights or any other rights.
5. The products in this document are designed for automotive applications. However, when using the products for automotive applications, please make sure to contact Ricoh sales representative in advance due to confirming the quality level.
6. We are making our continuous effort to improve the quality and reliability of our products, but semiconductor products are likely to fail with certain probability. In order to prevent any injury to persons or damages to property resulting from such failure, customers should be careful enough to incorporate safety measures in their design, such as redundancy feature, fire containment feature and fail-safe feature. We do not assume any liability or responsibility for any loss or damage arising from misuse or inappropriate use of the products.
7. Anti-radiation design is not implemented in the products described in this document.
8. The X-ray exposure can influence functions and characteristics of the products. Confirm the product functions and characteristics in the evaluation stage.
9. WLCSP products should be used in light shielded environments. The light exposure can influence functions and characteristics of the products under operation or storage.
10. There can be variation in the marking when different AOI (Automated Optical Inspection) equipment is used. In the case of recognizing the marking characteristic with AOI, please contact Ricoh sales or our distributor before attempting to use AOI.
11. Please contact Ricoh sales representatives should you have any questions or comments concerning the products or the technical information.



Ricoh is committed to reducing the environmental loading materials in electrical devices with a view to contributing to the protection of human health and the environment.

Ricoh has been providing RoHS compliant products since April 1, 2006 and Halogen-free products since April 1, 2012.

RICOH RICOH ELECTRONIC DEVICES CO., LTD.

<https://www.e-devices.ricoh.co.jp/en/>

Sales & Support Offices

Ricoh Electronic Devices Co., Ltd.

Shin-Yokohama Office (International Sales)

2-3, Shin-Yokohama 3-chome, Kohoku-ku, Yokohama-shi, Kanagawa, 222-8530, Japan
Phone: +81-50-3814-7687 Fax: +81-45-474-0074

Ricoh Americas Holdings, Inc.

675 Campbell Technology Parkway, Suite 200 Campbell, CA 95008, U.S.A.
Phone: +1-408-610-3105

Ricoh Europe (Netherlands) B.V.

Semiconductor Support Centre

Prof. W.H. Keesomlaan 1, 1183 DJ Amstelveen, The Netherlands
Phone: +31-20-5474-309

Ricoh International B.V. - German Branch

Semiconductor Sales and Support Centre

Oberrather Strasse 6, 40472 Düsseldorf, Germany
Phone: +49-211-6546-0

Ricoh Electronic Devices Korea Co., Ltd.

3F, Haesung Bldg, 504, Teheran-ro, Gangnam-gu, Seoul, 135-725, Korea
Phone: +82-2-2135-5700 Fax: +82-2-2051-5713

Ricoh Electronic Devices Shanghai Co., Ltd.

Room 403, No.2 Building, No.690 Bibo Road, Pu Dong New District, Shanghai 201203,
People's Republic of China
Phone: +86-21-5027-3200 Fax: +86-21-5027-3299

Ricoh Electronic Devices Shanghai Co., Ltd. Shenzhen Branch

1205, Block D (Jinlong Building), Kingkey 100, Hongbao Road, Luohu District,
Shenzhen, China
Phone: +86-755-8348-7600 Ext 225

Ricoh Electronic Devices Co., Ltd.

Taipei office

Room 109, 10F-1, No.51, Hengyang Rd., Taipei City, Taiwan (R.O.C.)
Phone: +886-2-2313-1621/1622 Fax: +886-2-2313-1623

Mouser Electronics

Authorized Distributor

Click to View Pricing, Inventory, Delivery & Lifecycle Information:

[Ricoch Electronics:](#)

[R1515H033B-T1-JE](#) [R1515S033B-E2-JE](#) [R1515S050B-E2-JE](#)