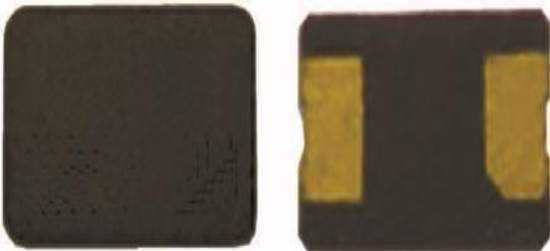


Datasheet

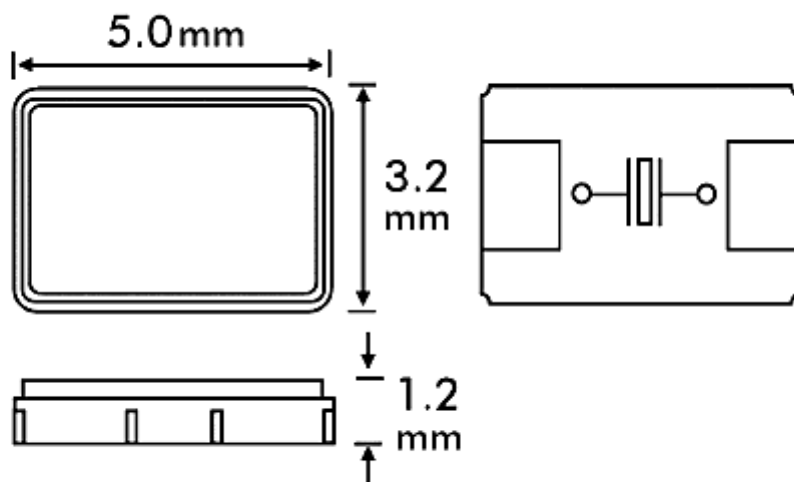
Crystal 16MHz, ± 30 ppm, 2-Pin SMD, 5 x 3.2 x 0.9mm

RS Stock No: 693-9077



Product Details

MJ2 - Euroquartz



Crystals 5x3.2mm Ceramic case



General Specifications:

Standard Frequency	16MHz
Mounting Type	Surface Mount
Load Capacitance	12pF
Package Type	SMD
Pin Count	2
Length	5mm
Width	3.2mm
Height	0.9mm
Dimensions	5 x 3.2 x 0.9mm
Frequency Tolerance	±30ppm
Frequency Stability	±30ppm
Series Resistance	0.06kΩ
Frequency Ageing	±5 ppm/yr
Minimum Operating Temperature	-40 °C
Board Level Components	Y
Maximum Operating Temperature	+85 °C
Mode of Oscillation	Fundamental