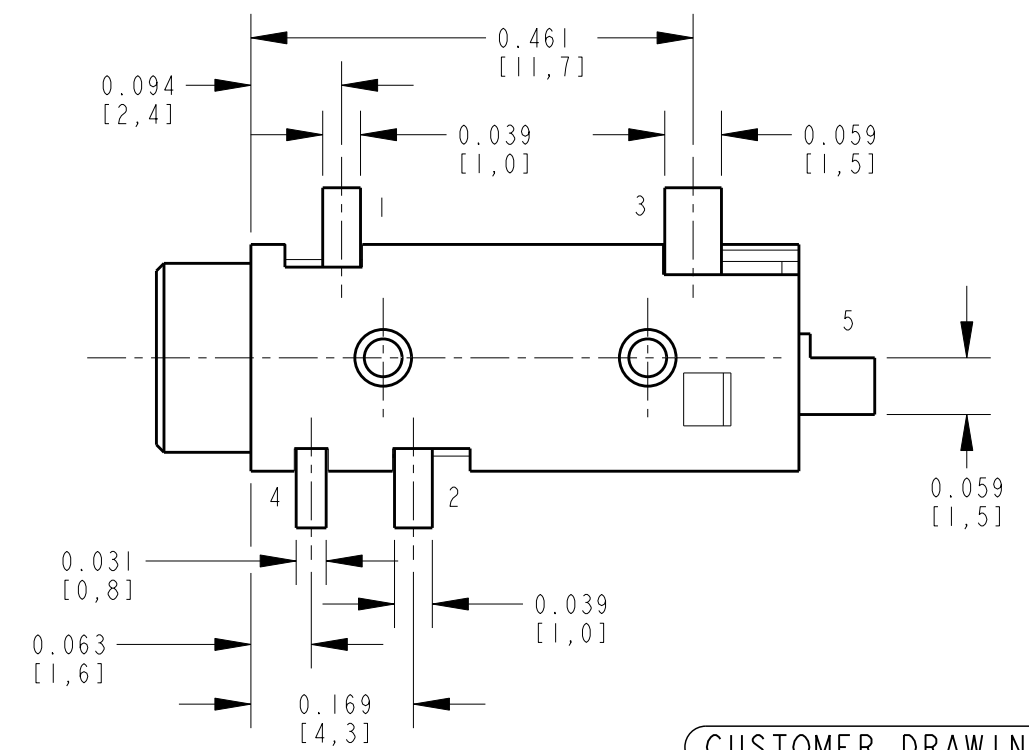
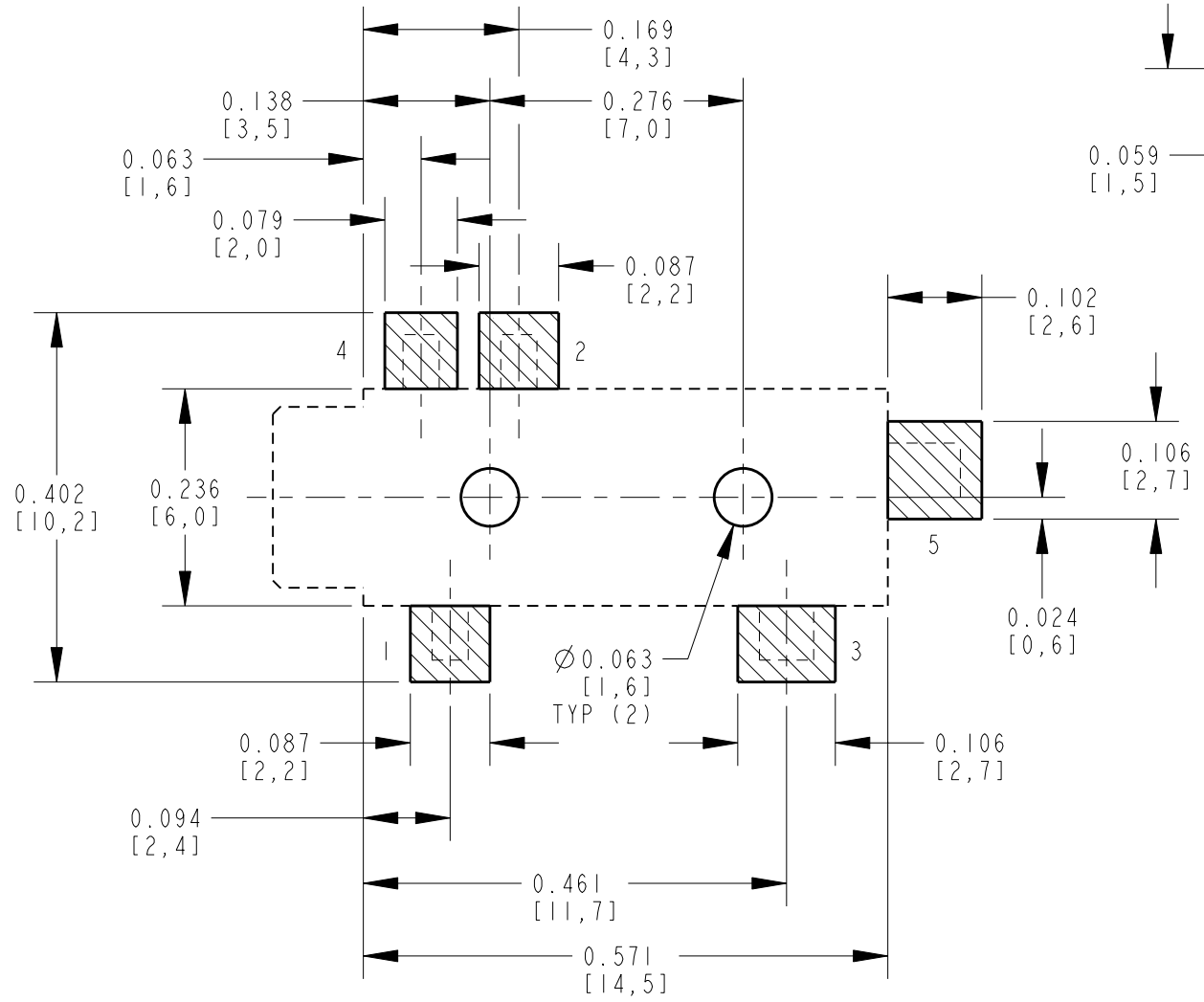
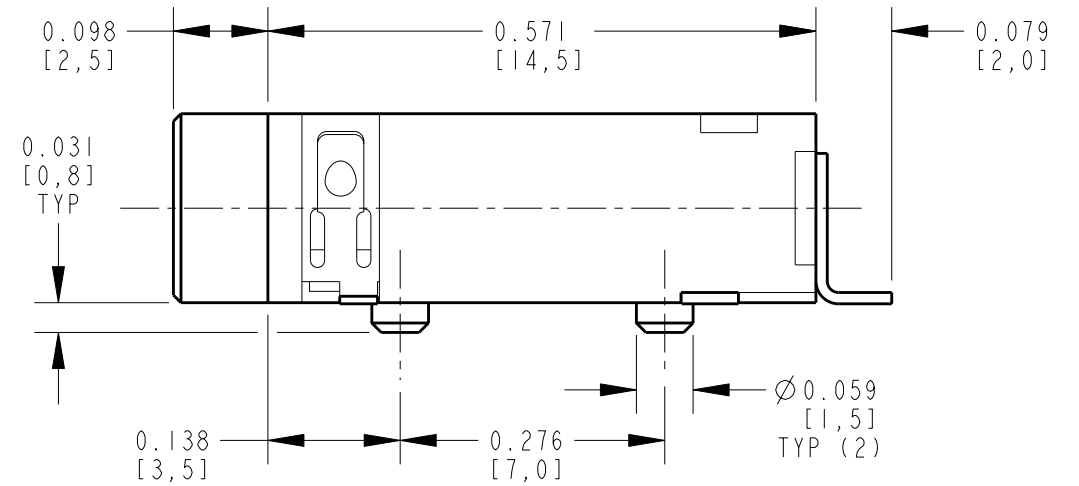
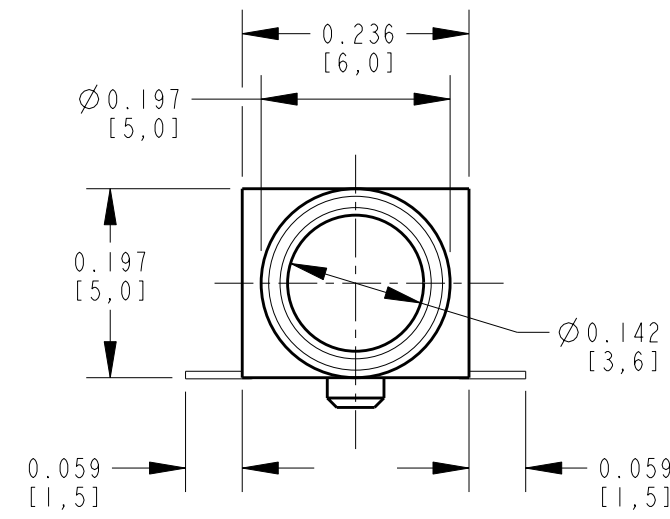


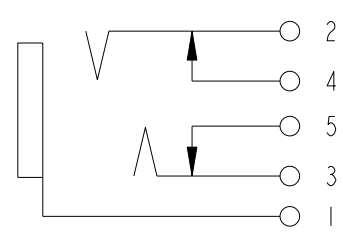
NOTES:

1. ALL DIMENSIONS ARE REFERENCE.
2. MATERIALS:  
HOUSING: THERMOPLASTIC, BLACK  
TERMINALS: COPPER ALLOY, GOLD PLATED (B)
3. SUPPLIED ON TAPE AND REEL, SEE SHEET 2.
4. THIS PRODUCT IS RoHS COMPLIANT.



PCB LAYOUT  
COMPONENT SIDE

CUSTOMER DRAWING



SCHEMATIC

REV	ECO NUMBER	DATE	BY	APVD
C	27337	7-30-14	TO	TJK
B	26972	6-20-12	TO	TJK
A	25182	1-13-06	JL	GG

REVISIONS

★ STAR SYMBOL DENOTES CRITICAL DIMENSION

UNLESS OTHERWISE SPECIFIED

1. ALL DIMENSIONS IN INCHES  
- TWO PLACE DECIMALS ±0.01  
- THREE PLACE DECIMALS ±0.005  
- ANGLES ±1°  
- ALL DIA. CONCENTRIC WITHIN 0.005 T.I.R.
2. FEATURES ON THE SAME CENTERLINE MUST BE ALIGNED WITHIN ±0.002
3. REMOVE ALL BURRS

DO NOT SCALE DRAWING

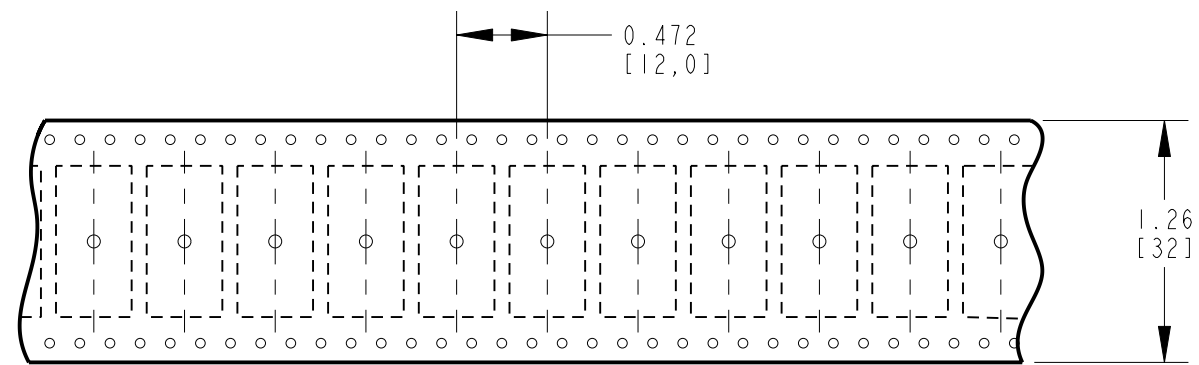
THIS DRAWING DESCRIBES A DESIGN CONSIDERED PROPRIETARY IN NATURE, DEVELOPED AND MANUFACTURED BY SWITCHCRAFT INC. AND IS RELEASED ON A CONFIDENTIAL BASIS FOR IDENTIFICATION PURPOSES ONLY.									
SIZE	WIDTH	MULT	LBS/M	TEMPER					
FINISH					MATERIAL				
SPEC No.					SPEC No.				
FIRST USED ON					SCALE				
					NONE				
DATE DRAWN	BY	CHKD	APVD						
13-Jan-06	JL	GG	GG						
			1-13-06						
			1-13-06						
NAME								PART No.	
3.5MM PHONE JACK								35RASMT4BHNTRX	
SURFACE MOUNT, RoHS								REV	
								C	

Switchcraft®

SHEET 1 OF 2

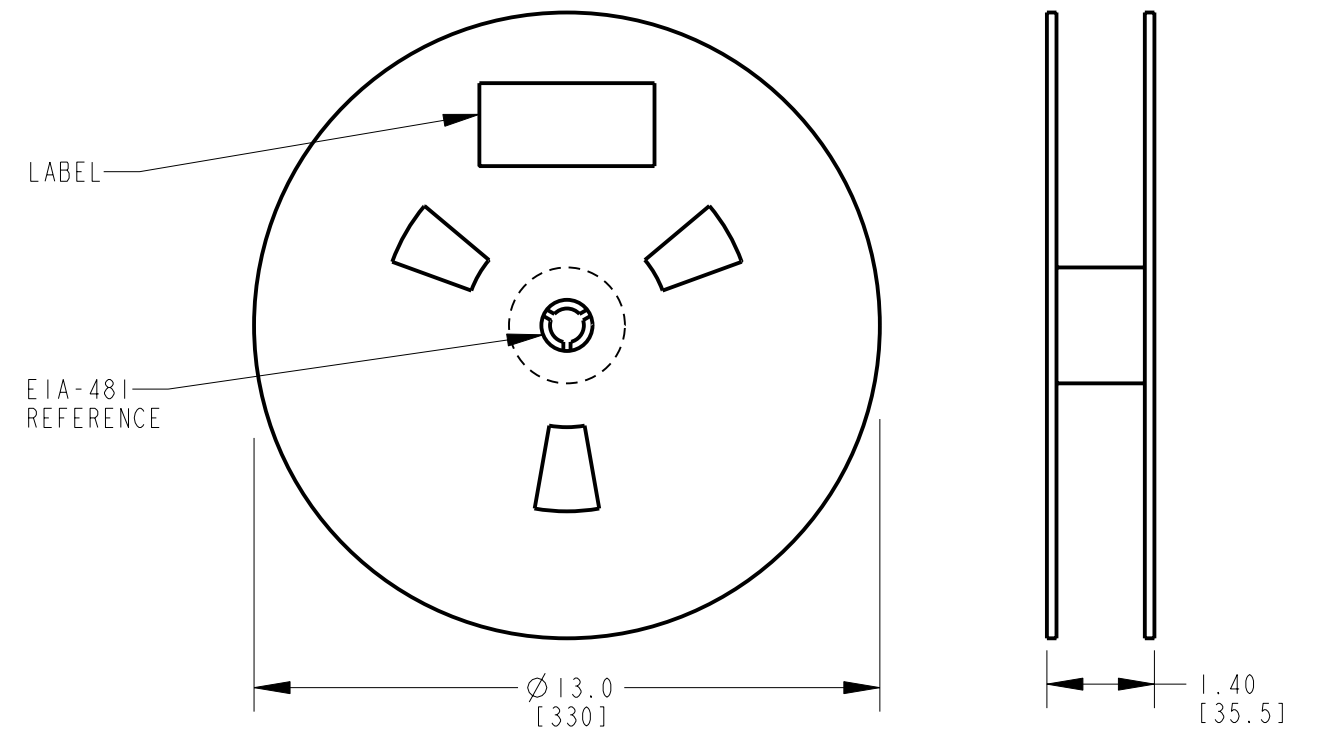
A: CARRIER SIZE

1. DETAIL SIZES REFERENCE: EIA-481
2. SPECIFICATION: 32 MM X 12 MM
3. COVER TAPE: SPECIFICATION ATTACHED (CONDUCTIVE)



B: REEL SIZE

1. QUANTITY: 1000 PCS/REEL BC
2. MATERIAL: THERMOPLASTIC



CUSTOMER DRAWING

SCALE NONE	<b>Switchcraft</b> <sup>®</sup>
DATE DRAWN 13-Jan-06	
SHEET 2 OF 2	
DRAWN BY JL	PART No. 35RASMT4BHNTRX
	REV C

# Mouser Electronics

Authorized Distributor

Click to View Pricing, Inventory, Delivery & Lifecycle Information:

[Switchcraft:](#)

[35RASMT4BHNTRX](#)