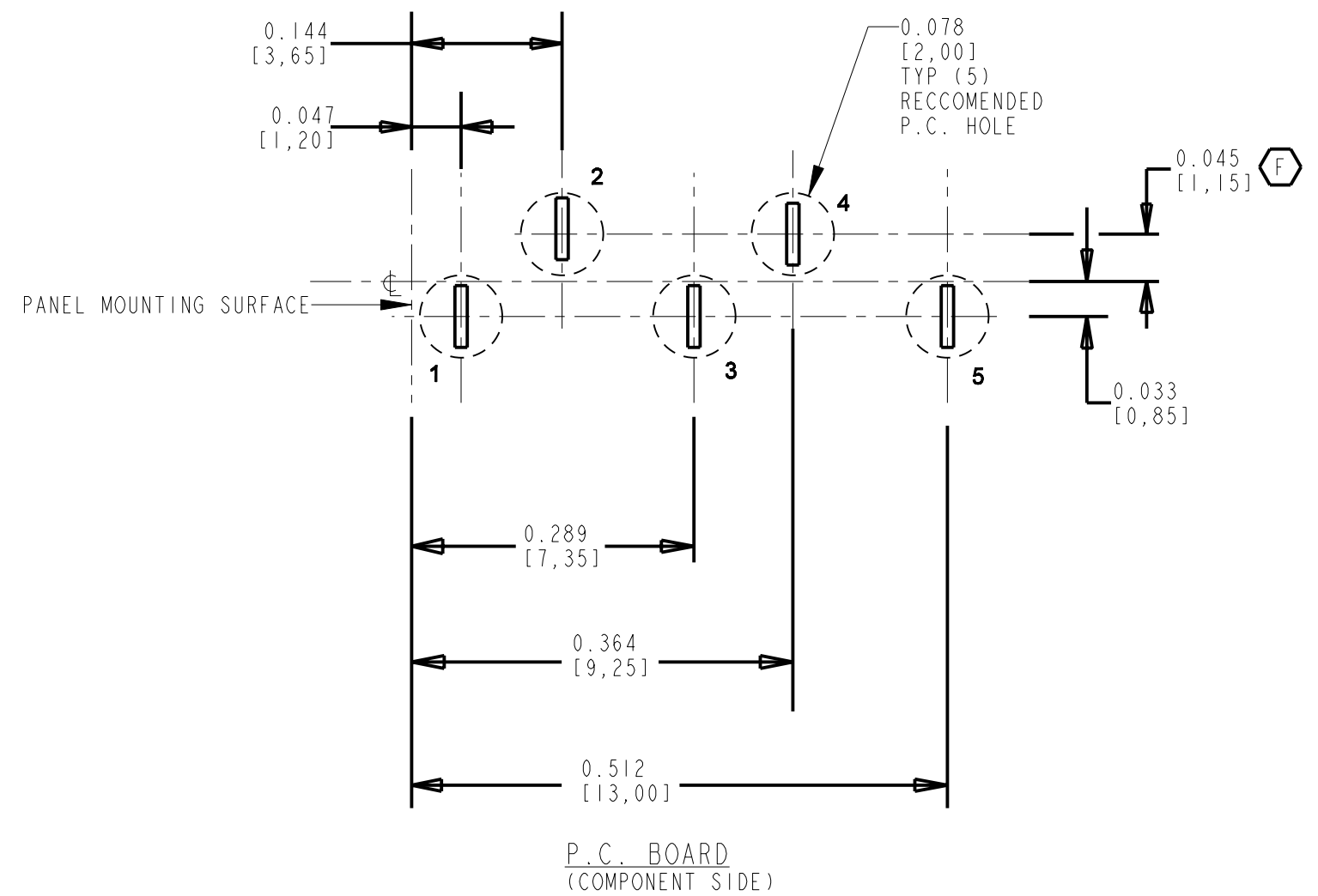
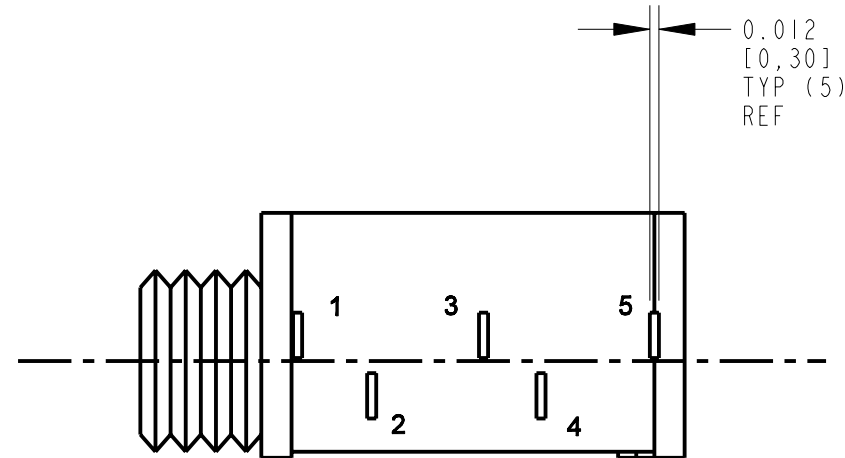
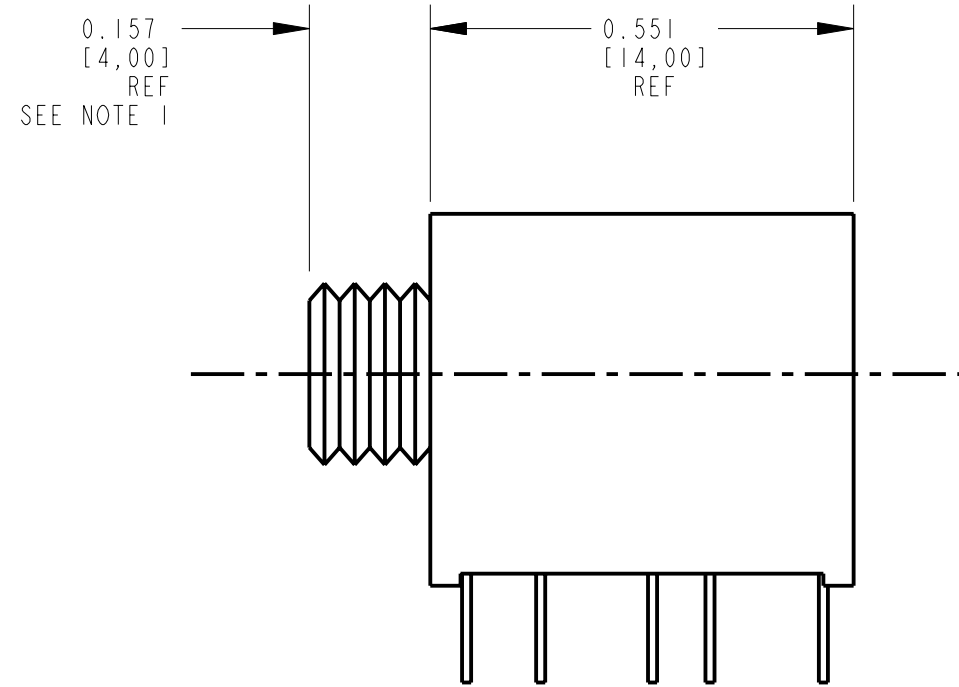
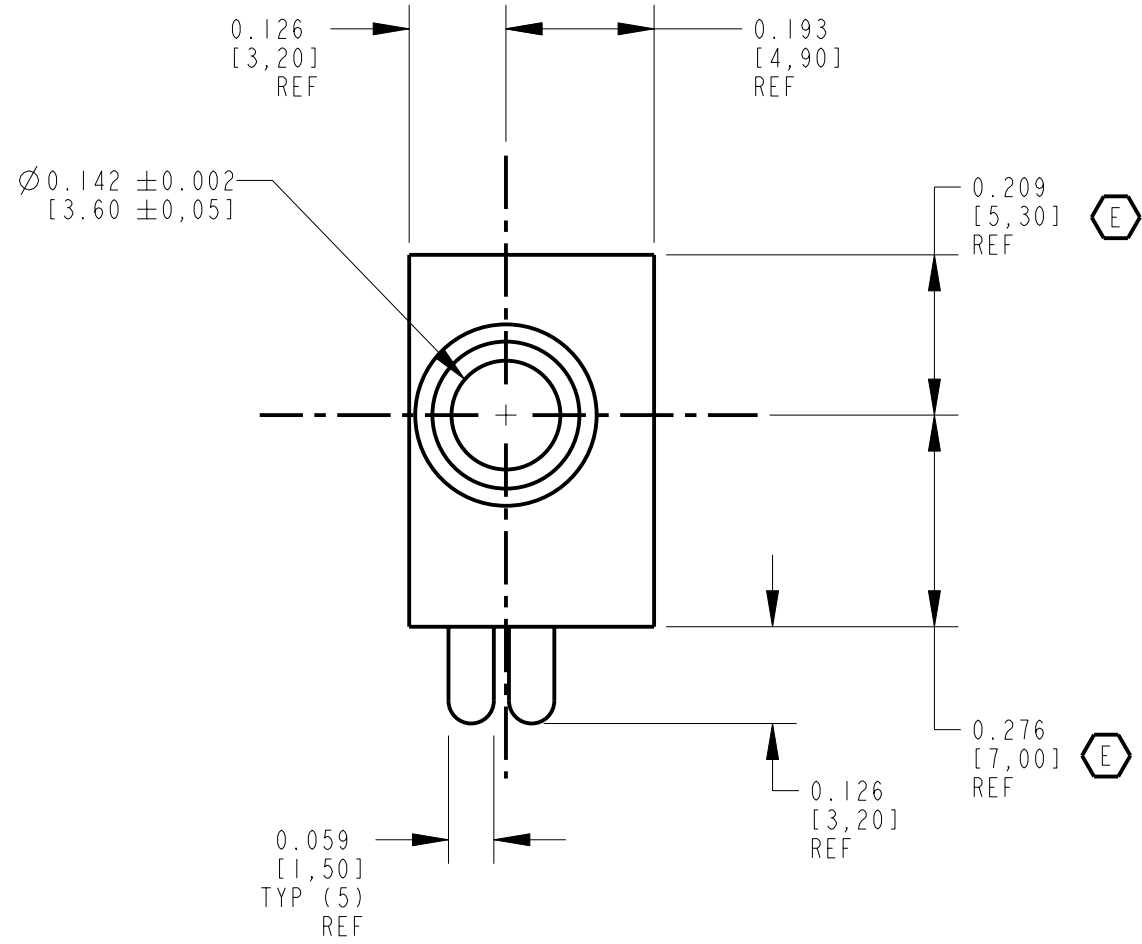
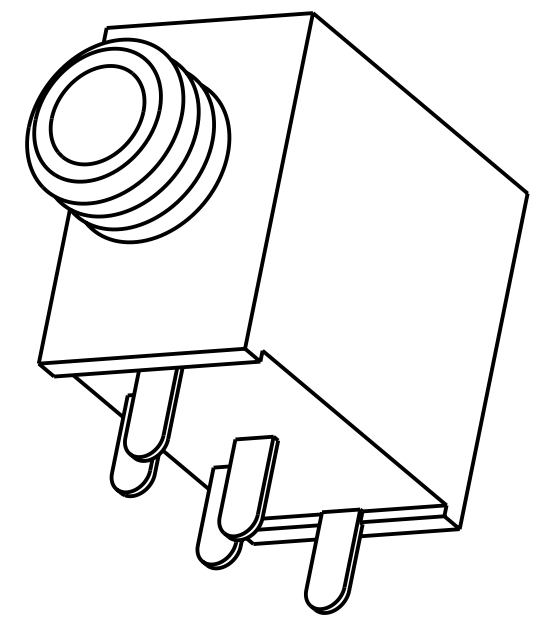
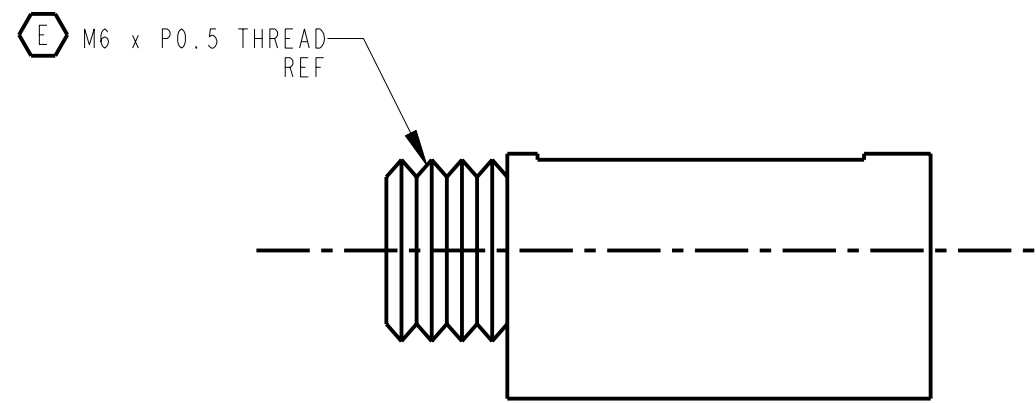


NOTES:

- ELECTRICAL:  
CONTACT RESISTANCE: 20 MILLIOHMS MAX, INITIAL  
50 MILLIOHMS MAX, AFTER LIFE  
INSULATION RESISTANCE: 50 MEGAOHMS MIN. AT 500 VDC  
DIELECTRIC WITHSTANDING VOLTAGE: 250 VAC
- MECHANICAL:  
LIFE: 5000 CYCLES  
INSERTION FORCE: 0,4 KG TO 1,6 KG  
WITHDRAWAL FORCE: 0,4 KG TO 1,4 KG
- MATERIALS:  
HOUSING: PBT +15% GLASS FILLED, BLACK, UL94V0  
BUSHING: BRASS, NICKEL PLATED  
SPRINGS: COPPER ALLOY, SILVER PLATED  
COVER: POLYCARBONATE, CLEAR, UL94V0.
- THIS PRODUCT IS RoHS COMPLIANT.



PART NO.	SCHEMATIC
35RAPC3BV4	
35RAPC4BV4	
35RAPC2BV4	
35RAPC2AV4	

SUPPLIED WITH KNURL NUT.

CUSTOMER DRAWING

G	27551	8-4-15	TO	TJK	★ STAR SYMBOL DENOTES CRITICAL DIMENSION	THIS DRAWING DESCRIBES A DESIGN CONSIDERED PROPRIETARY IN NATURE, DEVELOPED AND MANUFACTURED BY SWITCHCRAFT INC. AND IS RELEASED ON A CONFIDENTIAL BASIS FOR IDENTIFICATION PURPOSES ONLY.
F	27312	6-19-14	TJK	TJK		
E	26658	11-10-10	TO	TJK	UNLESS OTHERWISE SPECIFIED	SIZE
D	ECO #20278	11-5-96	MM	EBR	1. ALL DIMENSIONS IN INCHES - TWO PLACE DECIMALS ±0.01 - THREE PLACE DECIMALS ±0.005 - FRACTIONAL DIMENSIONS ±1/64 - ANGLES ±1° - ALL DIA. CONCENTRIC WITHIN 0.005 T.I.R.	WIDTH
C	ECO #19567	5-5-95	SG	GHJ	2. FEATURES ON THE SAME CENTERLINE MUST BE ALIGNED WITHIN ±0.002	MULT
B	ECO #19058	6-29-94	LR	EBR	3. REMOVE ALL BURRS	LBS/M
A	FIRST DRAWN	12-7-93	LR	EBR	DO NOT SCALE DRAWING	TEMPER
REV	ECO NUMBER	DATE	BY	APVD		FINISH
REVISIONS						SPEC No.
						FIRST USED ON
						SCALE
						DATE DRAWN
						BY
						CHKD
						APVD
						LR
						EBR
						DATE
						7-Dec-93
						12-10-93
						12-10-93
						NAME
						3.5 MM VERTICAL STEREO JACK, RoHS
						PART No.
						35RAPC_V4
						REV
						G

# Mouser Electronics

Authorized Distributor

Click to View Pricing, Inventory, Delivery & Lifecycle Information:

[Switchcraft:](#)

[35RAPC2BVN4](#) [35RAPC2BV4](#) [35RAPC3BV4](#) [35RAPC4BV4](#) [35RAPC2AV4](#)