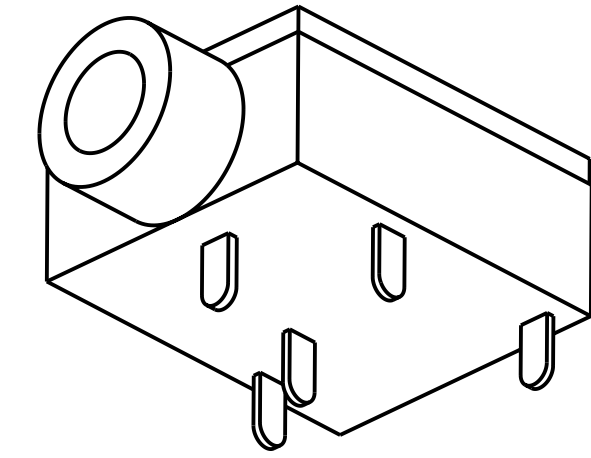
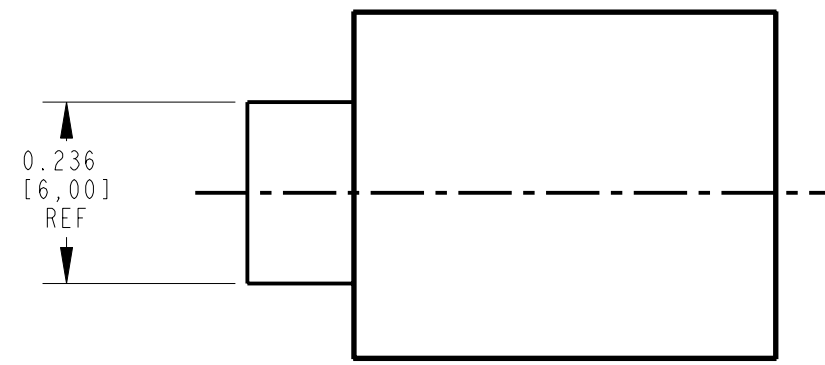
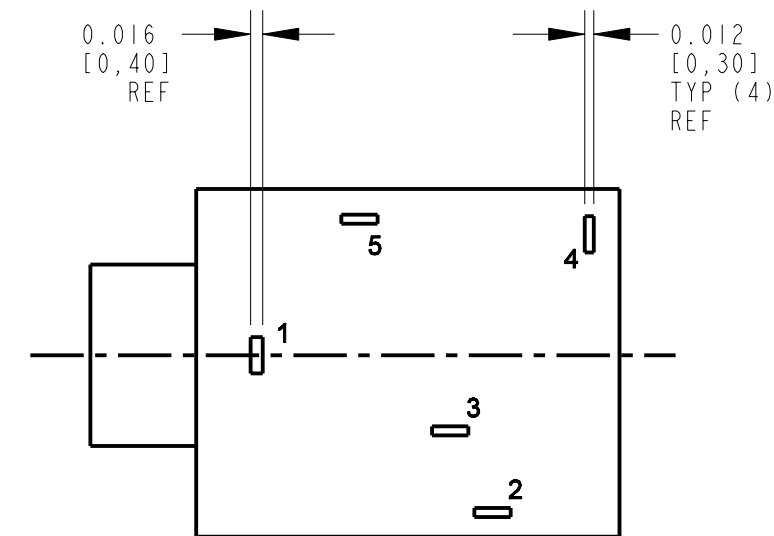
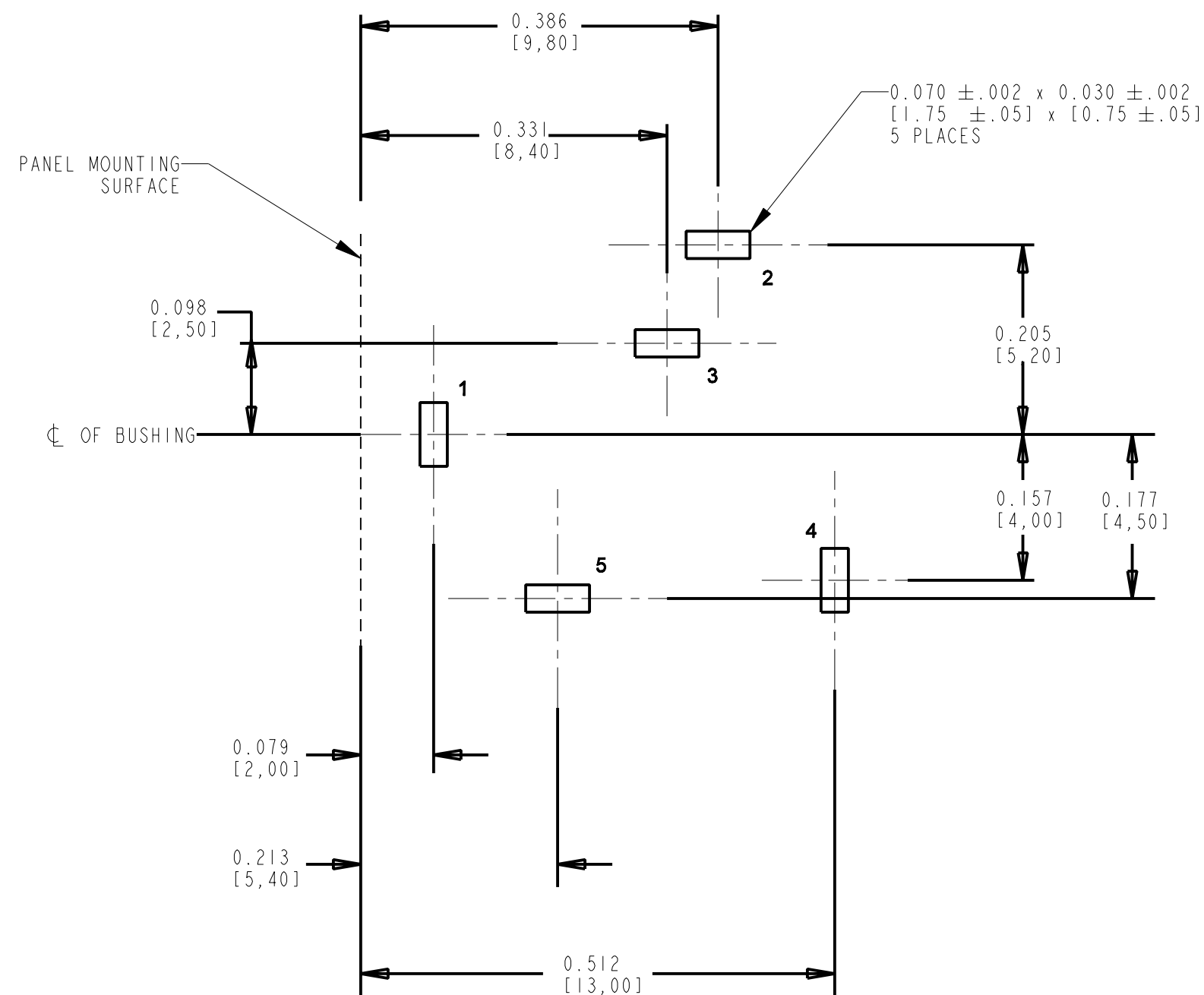
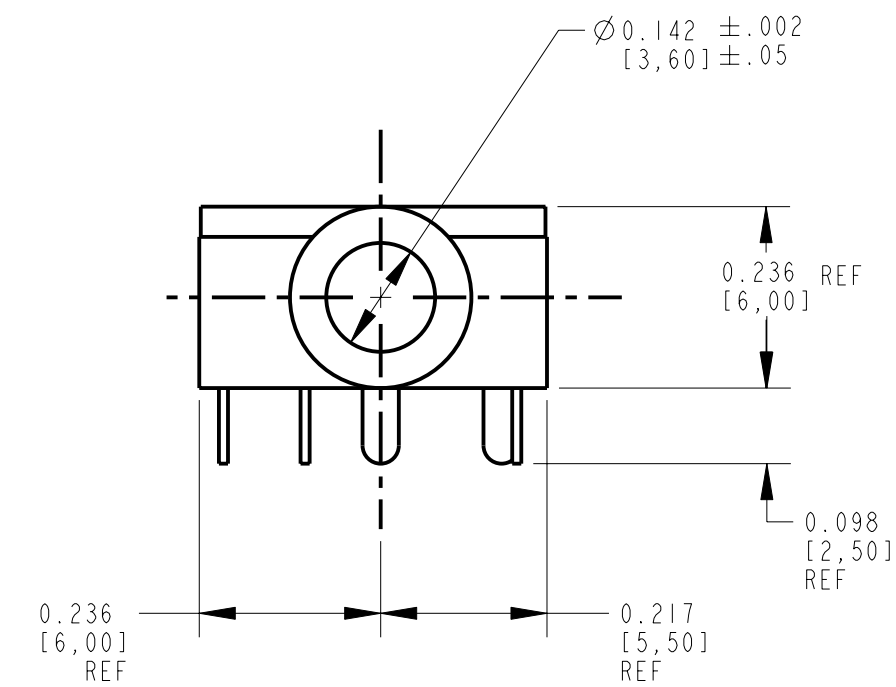
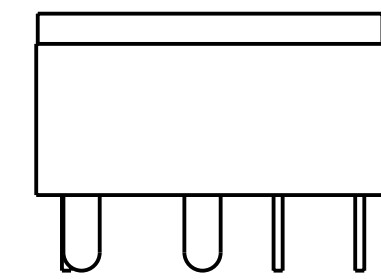
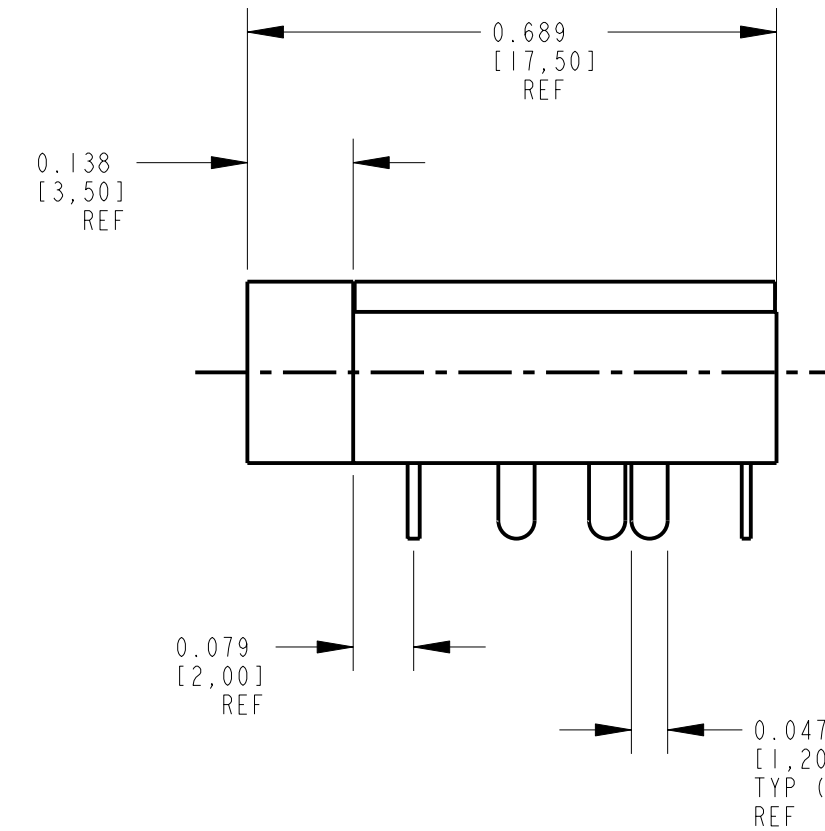


NOTES:

1. ELECTRICAL:
CONTACT RESISTANCE: 20 MILLIOHMS MAX. INITIAL
100 MILLIOHMS MAX. AFTER LIFE
INSULATION RESISTANCE: 100 MEGAOHMS MIN.
DIELECTRIC WITH STANDING VOLTAGE: 250 VAC.
2. MECHANICAL:
LIFE: 5000 CYCLES
INSERTION FORCE: 0,4 KG TO 1,6 KG
WITHDRAWAL FORCE: 0,4 KG TO 1,4 KG
3. MATERIALS:
HOUSING: PBT BLACK, UL94-V0
BUSHING: BRASS, NICKEL PLATED
SPRINGS: COPPER ALLOY, SILVER PLATED
COVER: POLYCARBONATE, CLEAR, UL94-V0
4. THIS PRODUCT IS RoHS COMPLIANT.



SCALE 4:1



PART NO.	SCHEMATIC
35RAPC3BHN3	
35RAPC4BHN3	
35RAPC2BHN3	
35RAPC2AHN3	

CUSTOMER DRAWING

REVISIONS				STAR SYMBOL DENOTES CRITICAL DIMENSION				THIS DRAWING DESCRIBES A DESIGN CONSIDERED PROPRIETARY IN NATURE, DEVELOPED AND MANUFACTURED BY SWITCHCRAFT INC. AND IS RELEASED ON A CONFIDENTIAL BASIS FOR IDENTIFICATION PURPOSES ONLY.					
REV	ECO NUMBER	DATE	BY	APVD	SIZE	WIDTH	MULT	LBS/M	TEMPER	FINISH		MATERIAL	
D	27551	8-4-15	TO	TJK	UNLESS OTHERWISE SPECIFIED				SPEC No.		SPEC No.		
C	26658	11-10-10	TO	TJK	1. ALL DIMENSIONS IN INCHES				FIRST USED ON		SCALE		
B	26553	6-8-10	TJK	TJK	- TWO PLACE DECIMALS ±0.01				DATE DRAWN		BY	CHKD	APVD
A	RELEASE TO MFG. ECO #19561	5-4-95	SG	GHJ	- THREE PALCE DECIMALS ±0.005				4-May-95	SG	5-8-95	5-8-95	
				2. FEATURES ON THE SAME CENTERLINE MUST BE ALIGNED WITHIN ±0.002				NAME				PART No.	
				3. REMOVE ALL BURRS				3.5 MM HORIZONTAL, NON THREADED BUSHING MONO/STEREO JACK, RoHS				35RAPC_HN3	
				DO NOT SCALE DRAWING				ROUTING				REV	
								C				D	

RECOMMENDED PC BOARD COMPONENT SIDE

Mouser Electronics

Authorized Distributor

Click to View Pricing, Inventory, Delivery & Lifecycle Information:

Switchcraft:

[35RAPC2AHN3](#) [35RAPC2BHN3](#) [35RAPC3BHN3](#) [35RAPC4BHN3](#)