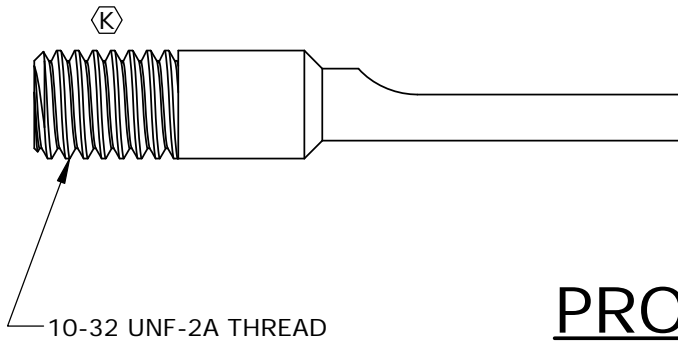
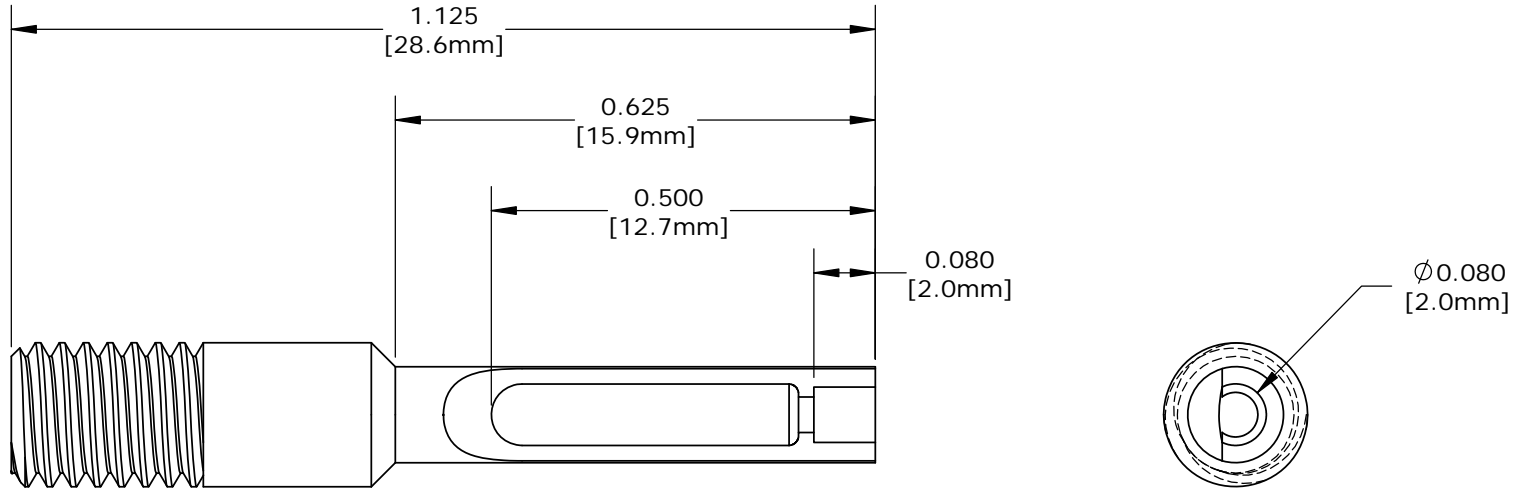


PART NUMBER: 356-20

CUSTOMER PRINT

NOTES:

1. MATERIAL: STAINLESS STEEL
2. ALL DIMENSION FOR REFERENCE ONLY



10-32 UNF-2A THREAD

PROPRIETARY

THIS DOCUMENT CONTAINS CONFIDENTIAL INFORMATION PROPRIETARY TO CONXALL CORPORATION. ANY REPRODUCTION, DISCLOSURE, OR USE OF THIS DOCUMENT /INFORMATION IS EXPRESSLY PROHIBITED UNLESS AUTHORIZED IN WRITING BY CONXALL CORPORATION.

DIMENSIONS IN BRACKETS [] ARE METRIC

K	SS	03-10-20	ADDED PROJECTED VIEW AND UPDATED MFG DRAWING PER ECR 9509
J	SS	07-16-19	UPDATED MATERIAL FOR NOTE 1 PER ECR 9429
H	AN	01-04-18	INSERTION BIT RIB TO TIP DIM. WAS 0.120 PER ECR 9245
	AN	06-19-17	CREATED SHEET PER DOR 17-7819JS
REV.	INIT.	DATE	DESCRIPTION
<small>ALL INFORMATION ILLUSTRATED IS THE PROPERTY OF "CONXALL CORPORATION." UNAUTHORIZED DUPLICATION OR DISTRIBUTION OF THIS DOCUMENT IS PROHIBITED.</small>			ORIG. DRAWN BY: G.A. DATE: 10-04-94
<small>ALL UNITS ARE IN FEET, INCHES, FRACTION OF INCHES AND DECIMALS.</small>			CHECKED BY:
<small>▷ = CRITICAL CHARACTERISTIC FLAG PER SPEC. XXXX</small>			APPROVED BY:
SCALE	SIZE	SHEET	
NTS	A	1 OF 1	
FILE:	356-20	DIRECTORY:	SLW
TITLE: SOCKET REMOVAL BIT SIZE #20			CUSTOMER: STANDARD PRODUCT
PART NUMBER: 356-20			REV K



Mouser Electronics

Authorized Distributor

Click to View Pricing, Inventory, Delivery & Lifecycle Information:

[Switchcraft:](#)

[356-20](#) [356-202](#)