

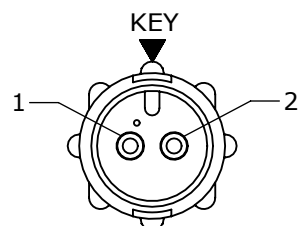
CUSTOMER PRINT

PART NUMBER: 18282-XPG-3XX

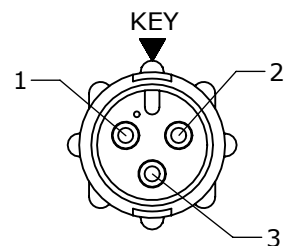
NOTES:

1. ALL PARTS TO BE BULK PACKED
2. CONTACTS ARE INSTALLED INTO CONNECTOR.

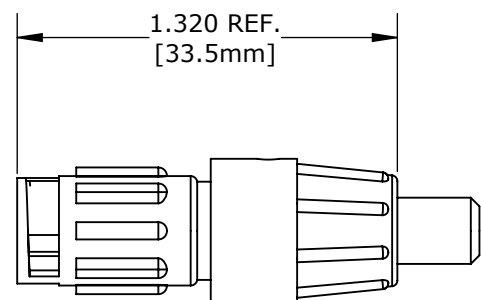
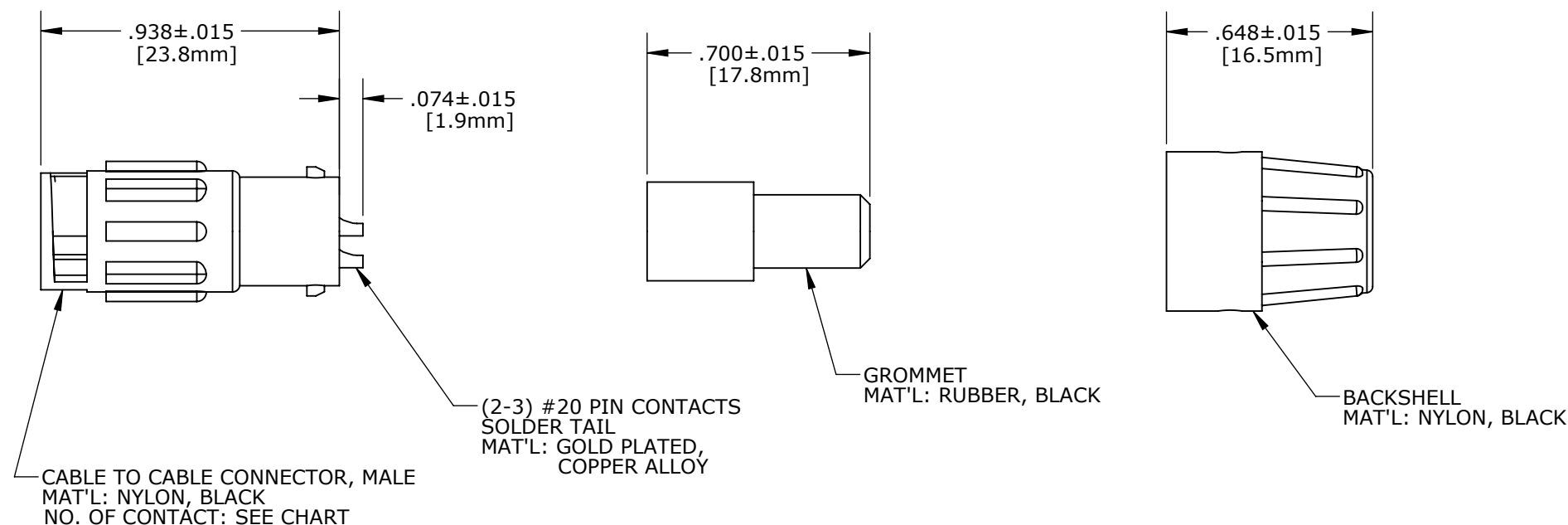
ASS'Y P/N	NO. OF CONTACT	CABLE O.D.
18282-2PG-311	2 POS.	.09-.14 [2.3-3.5mm]
18282-2PG-315		.15-.17 [3.8-4.3mm]
18282-2PG-318		.18-.20 [4.6-5.1mm]
18282-3PG-311	3 POS.	.09-.14 [2.3-3.5mm]
18282-3PG-315		.15-.17 [3.8-4.3mm]
18282-3PG-318		.18-.20 [4.6-5.1mm]



FACE VIEW
18282-2PG-3XX



FACE VIEW
18282-3PG-3XX



SHOWN ASSEMBLED KIT
FOR CUSTOMER REFERENCE ONLY

DIMENSIONS IN BRACKET [] ARE METRIC.

CUSTOMER APPROVAL

THIS DOCUMENT CONTAINS CONFIDENTIAL INFORMATION PROPRIETARY TO CONXALL CORPORATION. ANY REPRODUCTION, DISCLOSURE, OR USE OF THIS DOCUMENT /INFORMATION IS EXPRESSLY PROHIBITED UNLESS AUTHORIZED IN WRITING BY CONXALL CORPORATION.

APPROVED BY: _____
DATE: _____

RoHS COMPLIANT

A	AN	11-08-11	DRAWING CREATED PER DOR 11-E149SL
REV.	INIT.	DATE	DESCRIPTION
	AN	11-07-11	
<small>ALL INFORMATION ILLUSTRATED IS THE PROPERTY OF CONXALL CORPORATION. UNAUTHORIZED DUPLICATION OR DISTRIBUTION OF THIS DOCUMENT IS PROHIBITED.</small>			<p>601 E. WILDWOOD VILLA PARK, IL 60181</p>
<small>ALL UNITS ARE IN FEET, INCHES, FRACTION OF INCHES AND DECIMALS. UNLESS OTHERWISE SPECIFIED TOLERANCES: 3 PLACE DECIMALS ±.010 ANGLES ±1° FRACTIONS ±1/16 - CRITICAL CHARACTERISTIC FLAG PER SPEC. XXXX</small>			
APPROVED BY:		SCALE	TITLE: CABLE TO CABLE CONN. ASS'Y (2-3) #20 PIN CONTACTS, SOLDER MINI-CON-X
DATE:		SIZE	CUSTOMER: STANDARD PRODUCT
		SHEET	PART NUMBER: 18282-XPG-3XX
		1 OF 1	REV A
FILE:	DIRECTORY:		
18282-XPG-3XX	SLW		

Mouser Electronics

Authorized Distributor

Click to View Pricing, Inventory, Delivery & Lifecycle Information:

Switchcraft:

[18282-3PG-311](#) [18282-2PG-311](#) [18282-3PG-315](#) [18282-2PG-315](#) [18282-2PG-318](#) [18282-2PG-3XX](#) [18282-3PG-318](#) [18282-3PG-3XX](#)