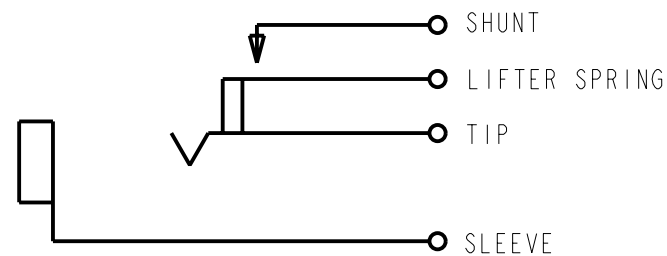
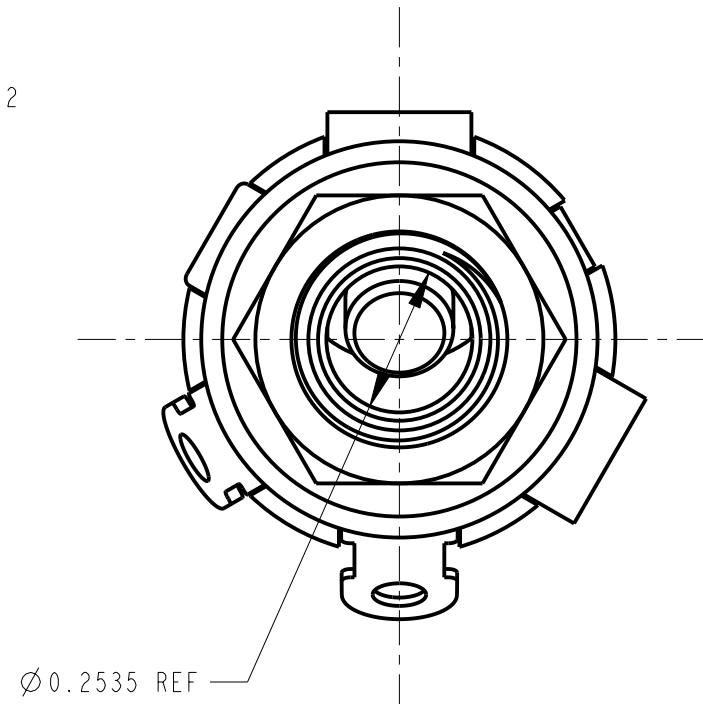
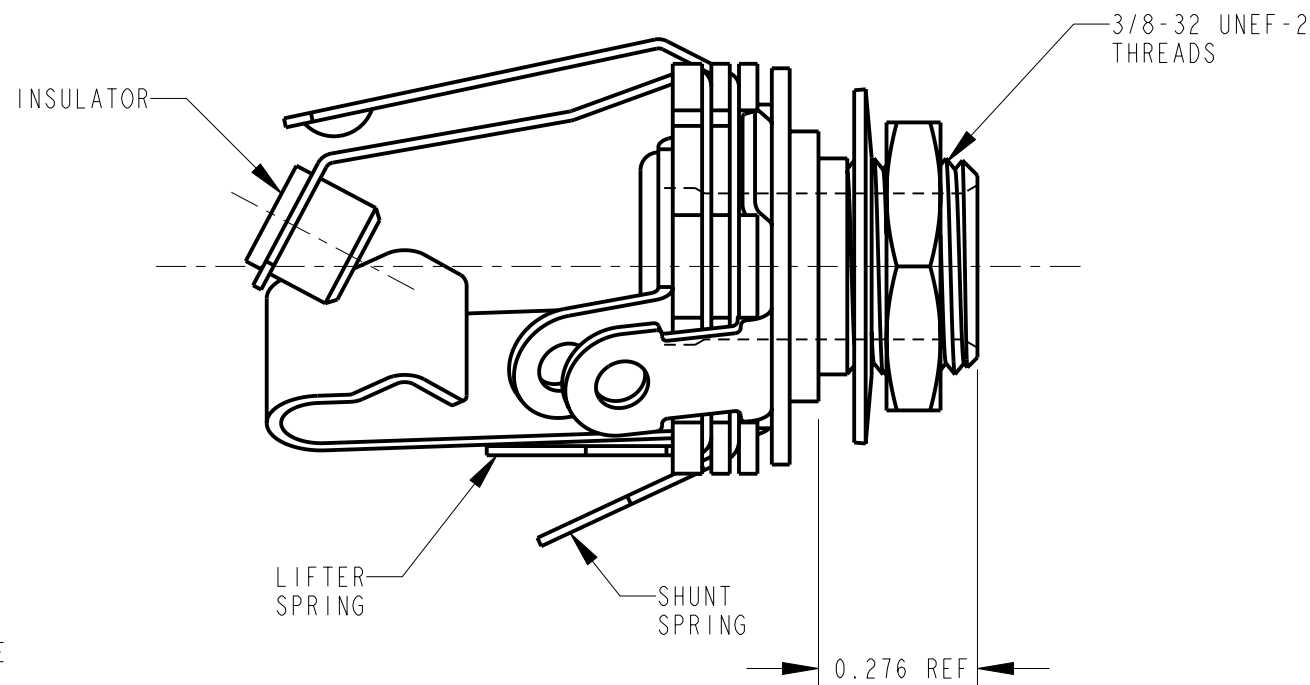
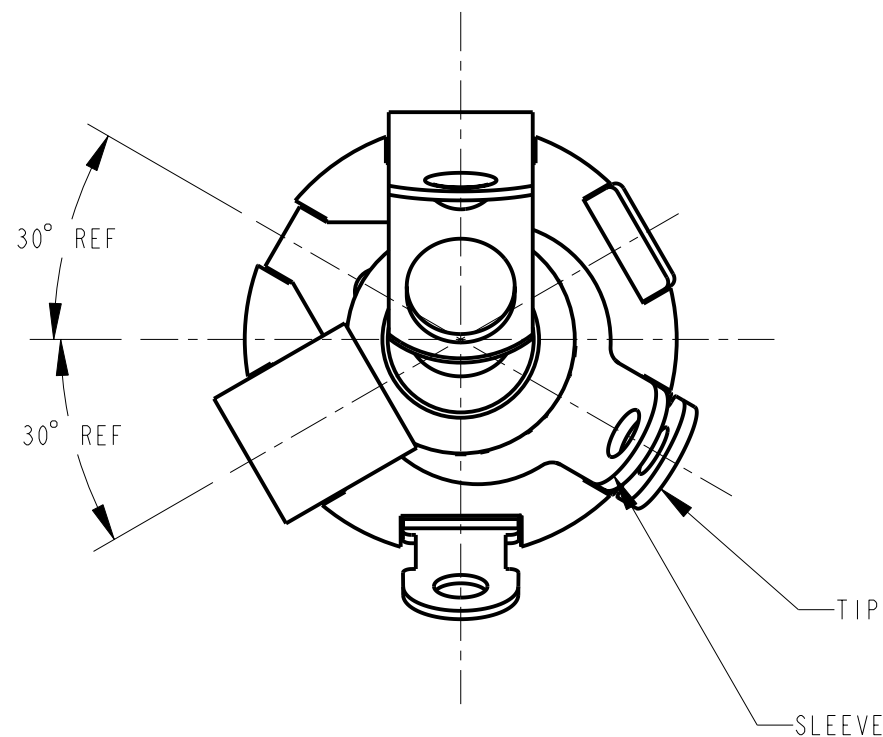


NOTES:

1. HARDWARE SHIPPED UNASSEMBLED.

MATERIALS:

SPRINGS: NICKEL SILVER ALLOY
 INSULATORS: PHENOLIC
 TERMINALS: COPPER ALLOY, TIN PLATED
 BUSHING: COPPER ALLOY, NICKEL PLATED
 WASHER: C.R. STEEL
 HEX NUT: BRASS, NICKEL PLATED



SCHEMATIC

CUSTOMER DRAWING

REV	ECO NUMBER	DATE	BY	APVD
E	ECO #23089	10-20-99	DA	DK
REVISIONS				

- ★ STAR SYMBOL DENOTES CRITICAL DIMENSION
- UNLESS OTHERWISE SPECIFIED
- 1. ALL DIMENSIONS IN INCHES
 - TWO PLACE DECIMALS ±0.01
 - THREE PLACE DECIMALS ±0.005
 - ANGLES ±1°
 - ALL DIA. CONCENTRIC WITHIN 0.005 T.I.R.
- 2. FEATURES ON THE SAME CENTERLINE MUST BE ALIGNED WITHIN ±0.002
- 3. REMOVE ALL BURRS

DO NOT SCALE DRAWING

THIS DRAWING DESCRIBES A DESIGN CONSIDERED PROPRIETARY IN NATURE, DEVELOPED AND MANUFACTURED BY SWITCHCRAFT INC. AND IS RELEASED ON A CONFIDENTIAL BASIS FOR IDENTIFICATION PURPOSES ONLY.									
SIZE		WIDTH		MULT		LBS/M		TEMPER	
FINISH					MATERIAL				
SPEC No.					SPEC No.				
FIRST USED ON				SCALE					
				3:1					
DATE DRAWN	BY	CHKD	APVD	Switchcraft [®]					
20-Oct-99	DA	DK	DK						
NAME				SHEET		OF		REV	
LITTEL JAX				13		1		E	

Mouser Electronics

Authorized Distributor

Click to View Pricing, Inventory, Delivery & Lifecycle Information:

[Switchcraft:](#)

[13](#)