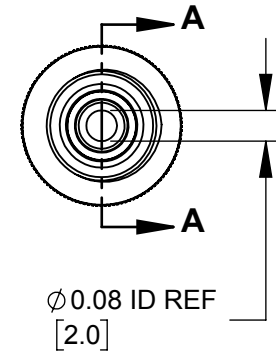
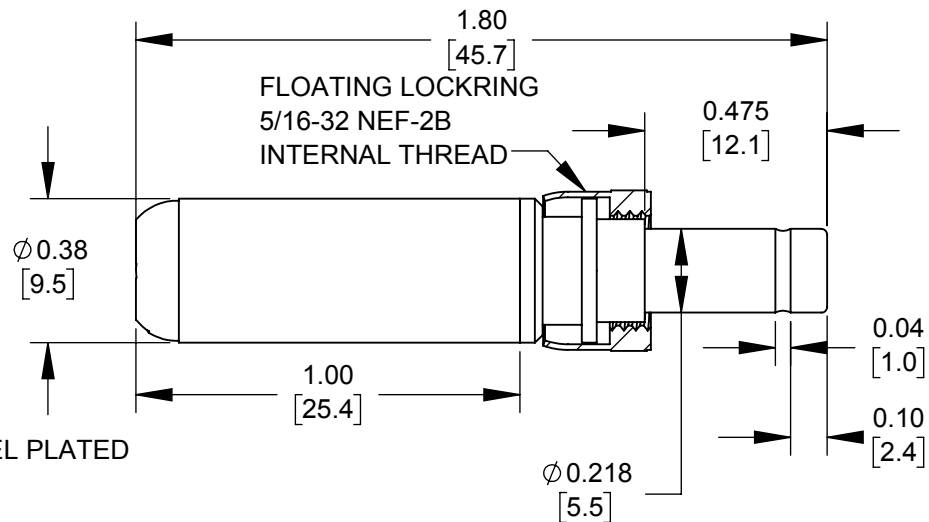
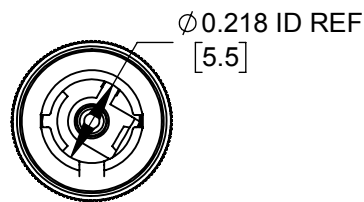


PART NUMBER	HANDLE COLOR
S761KZ	BLACK
S766KZ	RED



NOTES:
 1. MATERIALS
 CONDUCTORS & LOCKRING - BRASS, NICKEL PLATED
 TERMINALS - BRASS, TIN PLATED
 INSULATORS & HANDLE - THERMOPLASTIC

2. THIS PRODUCT IS RoHS COMPLIANT

CUSTOMER DRAWING

THIS DRAWING DESCRIBES A DESIGN CONSIDERED PROPRIETARY IN NATURE, DEVELOPED AND MANUFACTURED BY SWITCHCRAFT INC. AND IS RELEASED ON A CONFIDENTIAL BASIS FOR IDENTIFICATION PURPOSES ONLY.

UNLESS OTHERWISE SPECIFIED

- 1. ALL DIMENSIONS IN INCHES [mm]
- TWO PLACE DECIMALS ± 0.02 [0.5]
- THREE PLACE DECIMALS ± 0.005 [0.13]

SIZE *	WIDTH *	MULT *	LBS/M *	TEMPER *
FINISH *			MATERIAL *	
SPEC No. *			SPEC No. *	
FIRST USED ON *		SCALE 2:1		
DATE DRAWN	BY	CHKD	APVD	
10/24/19	AM	*	*	
NAME $\phi 0.08 [2.0] \text{mm X } 0.475 \text{ LONG}$			PART No.	
IMPROVED PWR PLUG W/LOCKRING, RoHS			S761KZ-S766KZ	
SHEET 1 OF 1				
REV 0A				

Switchcraft®

REV	ECO NUMBER	DATE	BY	APVD
0A	FIRST DRAWN	10/24/19	AM	*
REVISIONS				

DO NOT SCALE DRAWING

SolidWorks CAD File

