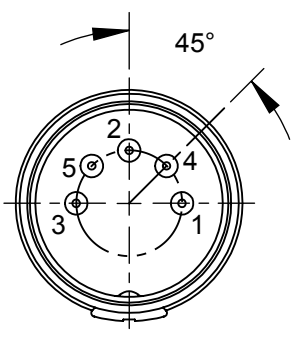
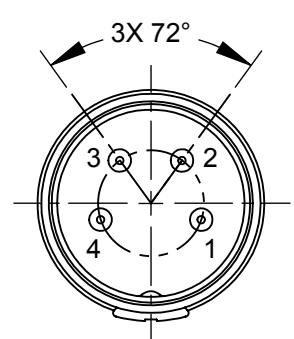


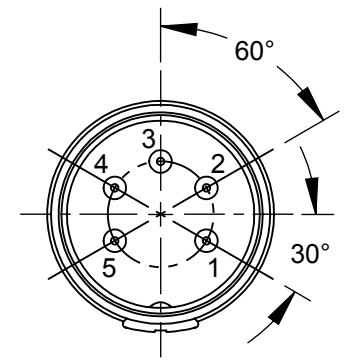
05BL3MX
3 PINS AT 180°



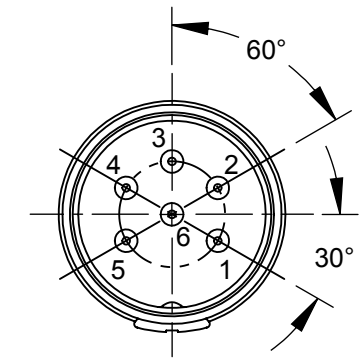
05BL5MX
5 PINS AT 180°



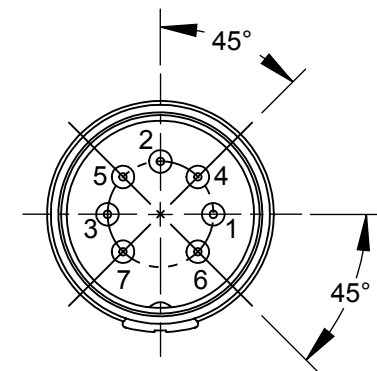
09BL4MX
4 PINS AT 216°



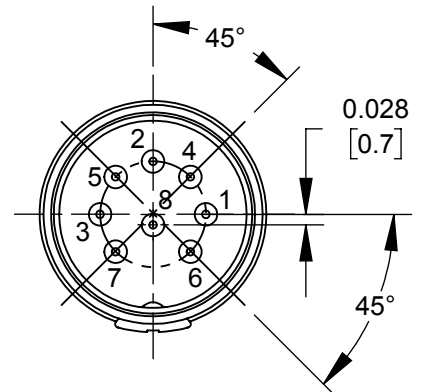
12BL5MX
5 PINS AT 240°



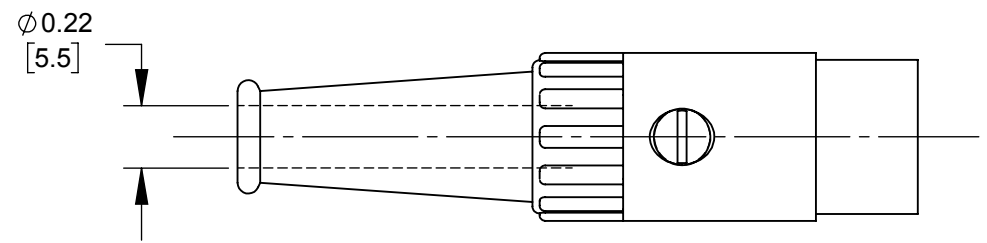
12BL6MX
6 PINS AT 240°



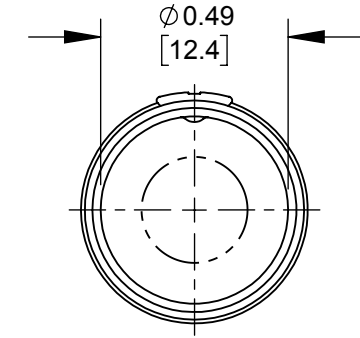
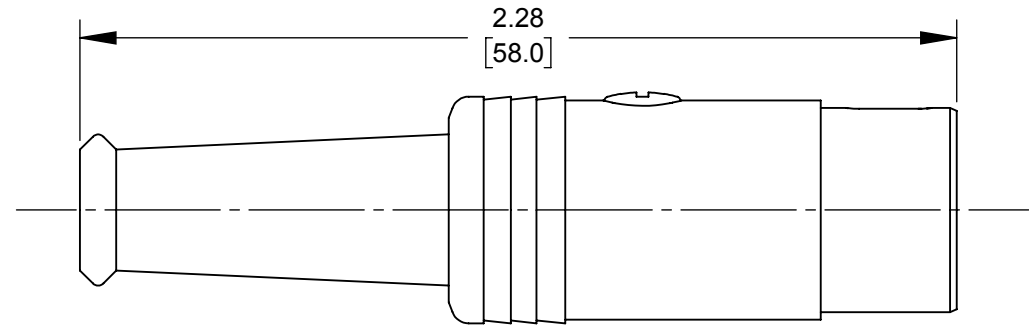
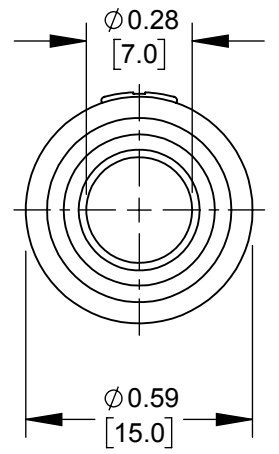
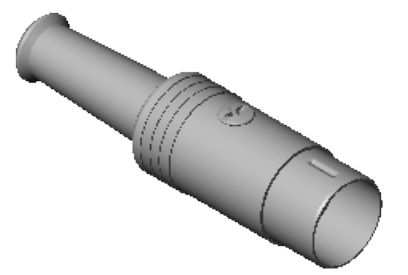
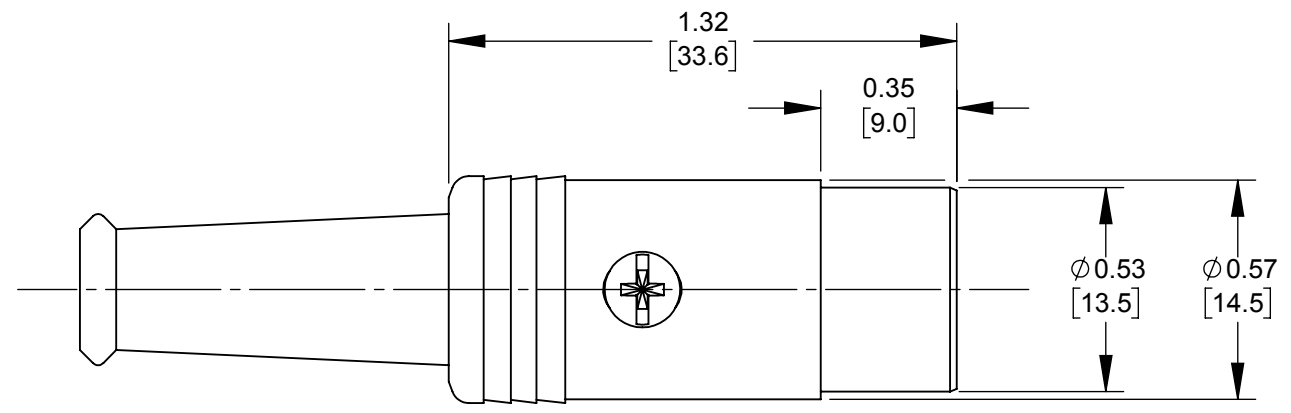
15BL7MX
7 PINS AT 270°



15BL8MX
8 PINS AT 270°



ALTERNATE DESIGN
NICKEL PLATED ZINC ALLOY HOUSING
SCALE 3:2



- NOTES:
- PARTS SHIPPED ASSEMBLED.
 - 0.04 [1.0mm] X 0.06 [1.5mm] DEEP HOLE IN PIN FOR SOLDERING.
 - MATERIALS:
HOUSING - COPPER ALLOY, NICKEL PLATED
FLEX RELIEF - THERMOPLASTIC, BLACK
INSERT - THERMOPLASTIC, BLACK
PINS - COPPER ALLOY, TIN PLATED
CABLE CLAMP - STEEL, NICKEL PLATED
SCREW - STEEL, NICKEL PLATED
 - THESE PRODUCTS ARE RoHS COMPLIANT.

REV	ECO NUMBER	DATE	BY	APVD
A	25265 & 26000	3/3/06	TJK	TJK
REVISIONS				

UNLESS OTHERWISE SPECIFIED

1. ALL DIMENSIONS IN INCHES

- TWO PLACE DECIMALS ±0.02

- THREE PLACE DECIMALS ±0.005

DO NOT SCALE DRAWING

THIS DRAWING DESCRIBES A DESIGN CONSIDERED PROPRIETARY IN NATURE, DEVELOPED AND MANUFACTURED BY SWITCHCRAFT INC. AND IS RELEASED ON A CONFIDENTIAL BASIS FOR IDENTIFICATION PURPOSES ONLY.									
SIZE	WIDTH	MULT	LBS/M	TEMPER					
FINISH					MATERIAL				
SPEC No.					SPEC No.				
FIRST USED ON					SCALE 2:1				
DATE DRAWN	BY	CHKD TO	APVD TJK						
5-10-13	TO	5-10-13	5-13-13						
NAME					PART No.				
MALE DIN, 3-8 PIN CORD PLUG CONNECTOR, RoHS					05BL_MX, 09BL_MX, 12BL_MX, 15BL_MX SERIES				
									REV A

CUSTOMER DRAWING

Mouser Electronics

Authorized Distributor

Click to View Pricing, Inventory, Delivery & Lifecycle Information:

[Switchcraft:](#)

[05BL3MX](#) [09BL4MX](#) [05BL5MX](#)