

## DESCRIPTION

The DS9094F iButton PCB Clip holds an iButton and connects to a printed circuit board. By deflecting the spring clip in the molded housing, an iButton can be inserted and extracted without special tools. If reverse insertion is attempted, the beveled edge on the housing prevents contact.

## FEATURES

- Low-cost holder for F5 size iButton (see DS9094SM for F3 holder)
- Printed circuit board mount
- Contacts are gold plated
- Flammability rating: UL94V-O
- Two versions:
  - DS9094F for F5 size iButton
  - DS9094FS for surface mounting F5 size iButton

## ORDERING INFORMATION

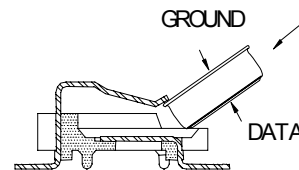
| PART      | TEMP RANGE    | PIN-PACKAGE                            |
|-----------|---------------|--|
| DS9094F+  | -40°C to 85°C | <sup>1</sup> Through-hole mount F5 can |
| DS9094FS+ | -40°C to 85°C | <sup>2</sup> Surface mount F5 can      |

<sup>1</sup>NOTE: Wave- or hand-solder only; do not reflow.

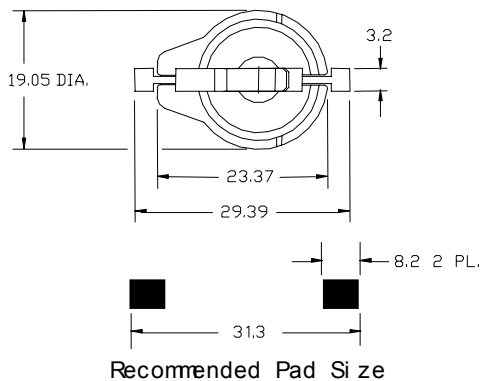
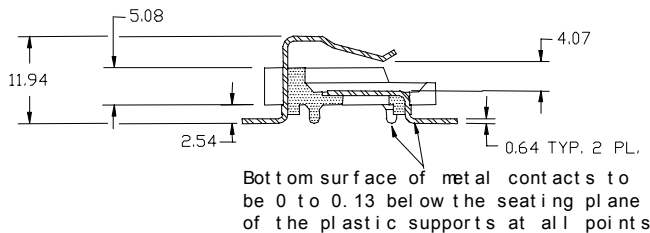
<sup>2</sup>NOTE: Hand-solder only; do not reflow.

+ Denotes lead-free compliance.

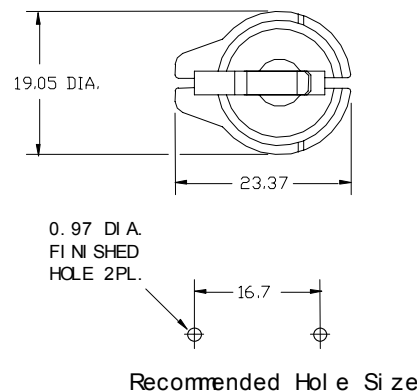
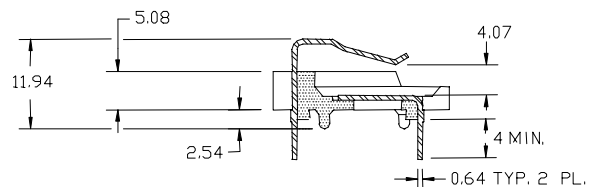
## INSERTION OF iButton



### DS9094FS



### DS9094F



All dimensions in millimeters.

iButton is a registered trademark of Maxim Integrated Products, Inc.

**REVISION HISTORY**

| <b>REVISION DATE</b> | <b>DESCRIPTION</b>           | <b>PAGES CHANGED</b> |
|----------------------|------------------------------|----------------------|
| 051606               | Original release             | —                    |
| 072308               | Updated the soldering notes. | 1                    |

# Mouser Electronics

Authorized Distributor

Click to View Pricing, Inventory, Delivery & Lifecycle Information:

[Analog Devices Inc.:](#)

[DS9094F+](#)