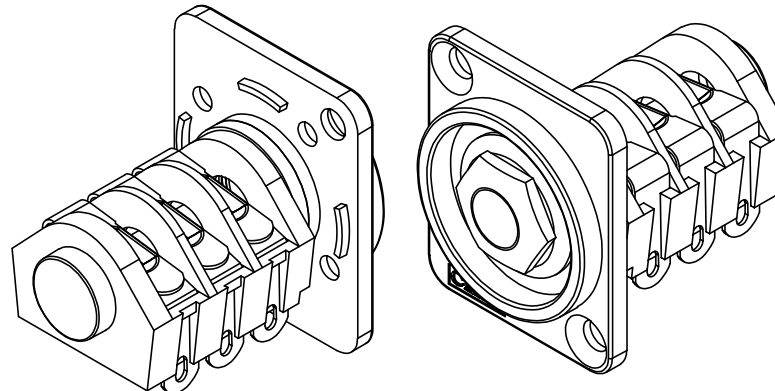
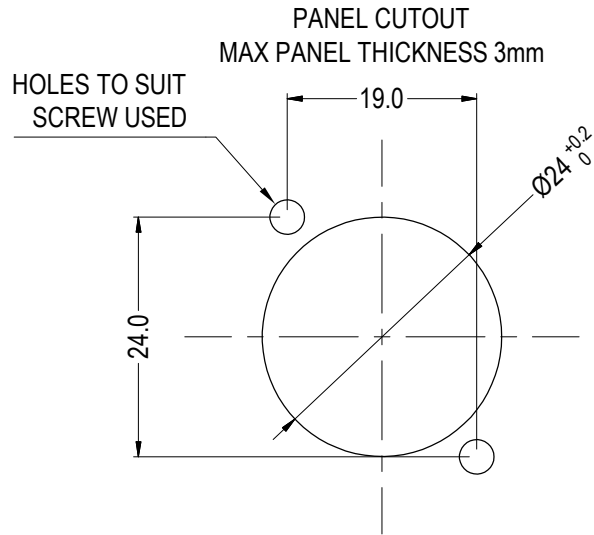
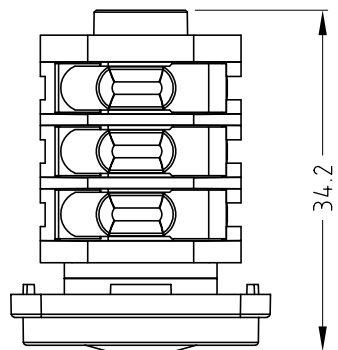
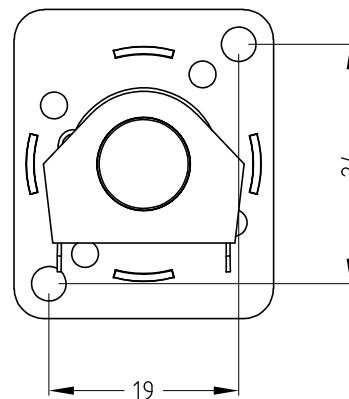
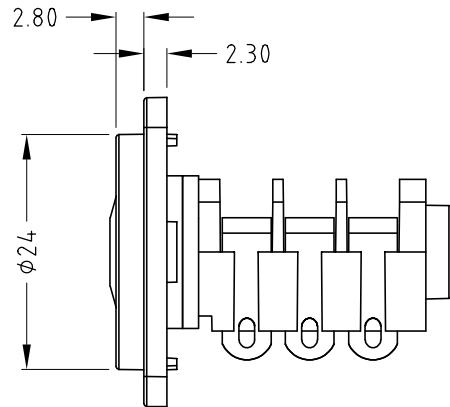
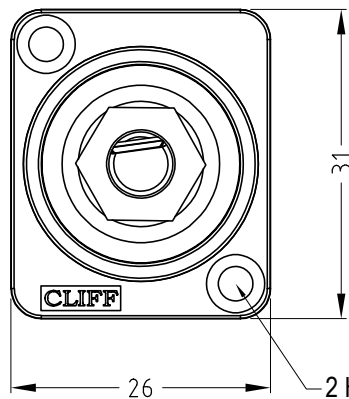


ISS.	AMEND	DATE
1	ISSUED	11/04/18



ITEM	DESCRIPTION	MATERIAL	FINISH
1	FRAME	POLYAMIDE UL94 V2	BLACK
2	JACK BODY	POLYAMIDE UL94 V2	BLACK
3	NUT	BRASS	CHROME
4	BEZEL	POM	BLACK
5	WASHERS	FIBRE	BLACK
6	CONTACTS	NICKEL SILVER	-

CP303080 - CSK HOLES

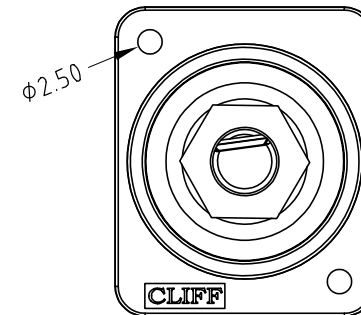


2 HOLES: $\varnothing 3.50$ CSK 82° x $\varnothing 5.85$
 'X' VERSION HAS $\varnothing 2.50$ HOLES.

NOTE:-
 FOR FRONT MOUNT USE SCREWS 7mm MAXIMUM LENGTH.
 FOR BACK MOUNT USE SCREWS 7mm + PANEL THICKNESS MAXIMUM LENGTH.

VARIANTS	
PART NO.	HOLE DETAILS
CP303080	HOLE $\varnothing 3.50$ x CSK 82° x $\varnothing 5.85$
CP303080X	PLAIN HOLE $\varnothing 2.50$

CP303080X - $\varnothing 2.50$ PLAIN HOLES



RoHS
 COMPLIANT

TOLERANCE
 NO DEC. PLACE \pm
 1 DEC. PLACE \pm
 2 DEC. PLACE \pm
 HOLE \varnothing \pm
 ANGLES \pm
 UNLESS OTHERWISE STATED

DO NOT SCALE

Cliff Electronic Components Ltd.
 76 Holmetherpe Avenue, Holmetherpe Industrial Estate,
 Redhill, Surrey, RH1 2PF, England, UK
 Tel: 01737-771375 Fax: 01737-766012 Website: www.cliffuk.co.uk

DIMENSIONS IN MILLIMETERS UNLESS OTHERWISE STATED. WORK TO DIMENSIONS. REMOVE ALL BURRS. IF IN DOUBT ASK.

3rd ANGLE PROJECTION:

MATERIAL: SEE TABLE

TITLE: XRP3 S4/BBB/ST

FINISH: SEE TABLE

THE CONTENTS OF THIS DOCUMENT MUST NOT BE COPIED OR DISCLOSED TO A 3rd PARTY WITHOUT WRITTEN PERMISSION OF CLIFF UK. © 2018

DRAWN: NJB

APPROVED: DPJ

DRWG. No. **CP303080**

FORM: A4DRWGH