

FEATURES

Broadband RF, LO, and IF ports
Conversion gain: 3.7 dB
Noise figure: 12.2 dB
Input IP3: 22.7 dBm
Input P1dB: 8.3 dBm
LO drive: 0 dBm
Differential high impedance RF input port
Single-ended, 50 Ω LO input port
Open-collector IF output port
Single-supply operation: 5 V at 98 mA
Power-down mode
Exposed pad LFCSP: 3 mm \times 3 mm

APPLICATIONS

Cellular base station receivers
ISM receivers
Radio links
RF instrumentation

GENERAL DESCRIPTION

The **AD8342** is a high performance, broadband active mixer. It is well suited for demanding receive channel applications that require wide bandwidth on all ports and very low intermodulation distortion and noise figure.

The **AD8342** provides a typical conversion gain of 3.7 dB with an RF frequency of 238 MHz. The integrated LO driver presents a 50 Ω input impedance with a low LO drive level, helping to minimize the external component count.

The differential high impedance broadband RF port allows easy interfacing to both active devices and passive filters. The RF input accepts input signals as large as 1.6 V p-p or 8 dBm (relative to 50 Ω) at P1dB.

FUNCTIONAL BLOCK DIAGRAM

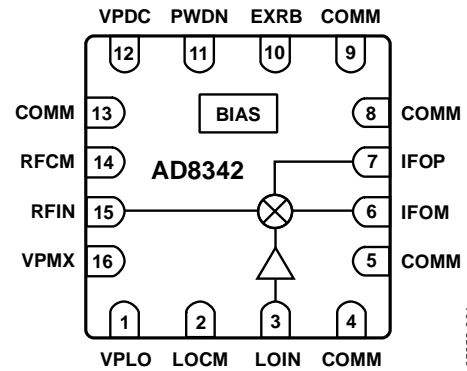


Figure 1.

The open-collector differential outputs provide excellent balance and can be used with a differential filter or IF amplifier, such as the **AD8370**, **AD8375**, **AD8351**, **AD8352**, or **ADL5561**. These outputs can also be converted to a single-ended signal using a matching network or a balun transformer. The outputs are capable of swinging 2 V p-p when biased to the VPOS supply rail.

The **AD8342** is fabricated on an Analog Devices, Inc., proprietary, high performance SiGe IC process. The **AD8342** is available in a 16-lead LFCSP. It operates over a -40°C to $+85^{\circ}\text{C}$ temperature range. An evaluation board is also available.

Rev. C

[Document Feedback](#)

Information furnished by Analog Devices is believed to be accurate and reliable. However, no responsibility is assumed by Analog Devices for its use, nor for any infringements of patents or other rights of third parties that may result from its use. Specifications subject to change without notice. No license is granted by implication or otherwise under any patent or patent rights of Analog Devices. Trademarks and registered trademarks are the property of their respective owners.

One Technology Way, P.O. Box 9106, Norwood, MA 02062-9106, U.S.A.
 Tel: 781.329.4700 ©2005–2016 Analog Devices, Inc. All rights reserved.
[Technical Support](#) www.analog.com

TABLE OF CONTENTS

Features	1	Test Circuit	14
Applications	1	Theory of Operation	15
Functional Block Diagram	1	AC Interfaces	16
General Description	1	IF Port	17
Revision History	2	LO Considerations	18
Specifications	3	High Frequency Applications	19
AC Performance	4	Applications Above 3 GHz	20
Absolute Maximum Ratings	5	Low Frequency Applications	21
Junction to Board Thermal Impedance	5	Evaluation Board	22
ESD Caution	5	Outline Dimensions	25
Pin Configuration and Function Descriptions	6	Ordering Guide	25
Typical Performance Characteristics	7		
Spurious Performance	13		

REVISION HISTORY

3/16—Rev. B to Rev. C

Changes to Product Title	1
Changes to Table 2	4
Changes to Table 3	5
Added Junction to Board Thermal Impedance Section	5
Changes to Figure 2 and Table 4	6
Change to Typical Performance Characteristics Section	7
Moved Spur Table Section and Table 3, Renumbered Sequentially	13
Changed Spur Table Section to Spurious Performance Section	13
Added Test Circuit Section	14
Moved Figure 38	14
Changed Circuit Description Section to Theory of Operation Section	15
Changes to Theory of Operation Section	15
Added Applications Above 3 GHz Section	20
Added Figure 56, Figure 57, and Figure 58, Renumbered Sequentially	21
Updated Outline Dimensions	25
Changes to Ordering Guide	25

7/09—Rev. A to Rev. B

Changed RF and LO Frequency Range from 2.4 GHz to 3 GHz Throughout	1
Changes to General Description Section	1
Added Endnote 2	4
Added Low Frequency Applications Section	19
Added Figure 56 and Figure 57	20
Changes to the Evaluation Board Section	21
Added Figure 59 to Figure 62	22
Updated Outline Dimensions	24
Changes to Ordering Guide	24

1/07—Rev. 0 to Rev. A

Changes to Features	1
Changes to General Description	1
Changes to Table 2	4
Replaced the High Frequency Applications Section	18

4/05—Revision 0: Initial Version

SPECIFICATIONS

$V_S = 5\text{ V}$, $T_A = 25^\circ\text{C}$, $f_{RF} = 238\text{ MHz}$, $f_{LO} = 286\text{ MHz}$, LO power = 0 dBm, $Z_O = 50\ \Omega$, $R_{BIAS} = 1.82\text{ k}\Omega$, RF termination = 100 Ω , IF load = 100 Ω differential, unless otherwise noted.

Table 1.

Parameter	Test Conditions/Comments	Min	Typ	Max	Unit
RF INPUT INTERFACE					
Return Loss	High-Z input terminated with 100 Ω off-chip resistor		10		dB
Input Impedance	Frequency = 238 MHz (measured at RFIN with RFCM ac-grounded)		1 0.4		k Ω pF
DC Bias Level	Internally generated; port must be ac-coupled		2.4		V
OUTPUT INTERFACE					
Output Impedance	Differential impedance, frequency = 48 MHz		10 0.5		k Ω pF
DC Bias Voltage	Supplied externally	4.75	V_S	5.25	V
Power Range	Via a 2:1 impedance ratio transformer			13	dBm
LO INTERFACE					
Return Loss			10		dB
DC Bias Voltage	Internally generated; port must be ac-coupled		$V_S - 1.6$		V
POWER-DOWN INTERFACE					
PWDN Threshold			3.5		V
PWDN Response Time	Device enabled, IF output to 90% of its final level		0.4		μs
	Device disabled, supply current <5 mA		4		μs
PWDN Input Bias Current	Device enabled		-80		μA
	Device disabled		100		μA
POWER SUPPLY					
Positive Supply Voltage		4.75	5	5.25	V
Quiescent Current					
VPDC	Supply current for bias cells		5		mA
VPMX, IFOP, IFOM	Supply current for mixer, $R_{BIAS} = 1.82\text{ k}\Omega$		58		mA
VPLO	Supply current for LO limiting amplifier		35		mA
Total Quiescent Current	$V_S = 5\text{ V}$	85	98	113	mA
Power-Down Current	Device disabled		500		μA

AC PERFORMANCE

$V_S = 5\text{ V}$, $T_A = 25^\circ\text{C}$, LO power = 0 dBm, $Z_O = 50\ \Omega$, $R_{BIAS} = 1.82\ \text{k}\Omega$, RF termination 100 Ω , IF load = 100 Ω differential, unless otherwise noted.

Table 2.

Parameter	Test Conditions/Comments	Min	Typ	Max	Unit
RF Frequency Range ¹			3.8		GHz
LO Frequency Range ¹			4.1		GHz
IF Frequency Range ^{1,2}			2.4		GHz
Conversion Gain	$f_{RF} = 460\ \text{MHz}$, $f_{LO} = 550\ \text{MHz}$, $f_{IF} = 90\ \text{MHz}$		3.2		dB
	$f_{RF} = 238\ \text{MHz}$, $f_{LO} = 286\ \text{MHz}$, $f_{IF} = 48\ \text{MHz}$		3.7		dB
Single Sideband (SSB) Noise Figure	$f_{RF} = 460\ \text{MHz}$, $f_{LO} = 550\ \text{MHz}$, $f_{IF} = 90\ \text{MHz}$		12.5		dB
	$f_{RF} = 238\ \text{MHz}$, $f_{LO} = 286\ \text{MHz}$, $f_{IF} = 48\ \text{MHz}$		12.2		dB
Input Third-Order Intercept (IP3)	$f_{RF1} = 460\ \text{MHz}$, $f_{RF2} = 461\ \text{MHz}$, $f_{LO} = 550\ \text{MHz}$, $f_{IF1} = 90\ \text{MHz}$, $f_{IF2} = 89\ \text{MHz}$, each RF tone $-10\ \text{dBm}$		22.2		dBm
	$f_{RF1} = 238\ \text{MHz}$, $f_{RF2} = 239\ \text{MHz}$, $f_{LO} = 286\ \text{MHz}$, $f_{IF1} = 48\ \text{MHz}$, $f_{IF2} = 47\ \text{MHz}$, each RF tone $-10\ \text{dBm}$		22.7		dBm
Input Second-Order Intercept (IP2)	$f_{RF1} = 460\ \text{MHz}$, $f_{RF2} = 410\ \text{MHz}$, $f_{LO} = 550\ \text{MHz}$, $f_{IF1} = 90\ \text{MHz}$, $f_{IF2} = 140\ \text{MHz}$		50		dBm
	$f_{RF1} = 238\ \text{MHz}$, $f_{RF2} = 188\ \text{MHz}$, $f_{LO} = 286\ \text{MHz}$, $f_{IF1} = 48\ \text{MHz}$, $f_{IF2} = 98\ \text{MHz}$		44		dBm
Input 1 dB Compression Point (P1dB)	$f_{RF} = 460\ \text{MHz}$, $f_{LO} = 550\ \text{MHz}$, $f_{IF} = 90\ \text{MHz}$		8.5		dBm
	$f_{RF} = 238\ \text{MHz}$, $f_{LO} = 286\ \text{MHz}$, $f_{IF} = 48\ \text{MHz}$		8.3		dBm
LO to IF Output Leakage	LO power = 0 dBm, $f_{LO} = 286\ \text{MHz}$		-27		dBc
LO to RF Input Leakage	LO power = 0 dBm, $f_{LO} = 286\ \text{MHz}$		-55		dBc
2× LO to IF Output Leakage	LO power = 0 dBm, $f_{RF} = 238\ \text{MHz}$, $f_{LO} = 286\ \text{MHz}$, IF terminated into 100 Ω and measured with a differential probe		-47		dBm
RF to IF Output Leakage	RF power = $-10\ \text{dBm}$, $f_{RF} = 238\ \text{MHz}$, $f_{LO} = 286\ \text{MHz}$		-32		dBc
IF/2 Spurious	RF power = $-10\ \text{dBm}$, $f_{RF} = 238\ \text{MHz}$, $f_{LO} = 286\ \text{MHz}$		-62		dBc

¹ See the High Frequency Applications section for details.

² See the Low Frequency Applications section for details.

ABSOLUTE MAXIMUM RATINGS

Table 3.

Parameter	Rating
Supply Voltage, V_s	5.5 V
RF Input Level	12 dBm
LO Input Level	12 dBm
PWDN Pin	$V_s + 0.5$ V
IFOP, IFOM Bias Voltage	5.5 V
Minimum Resistor from EXRB to COMM	1.8 k Ω
Internal Power Dissipation	650 mW
θ_{JA} ¹	77°C/W
θ_{JB} ¹	37.4°C/W
Maximum Junction Temperature	135°C
Operating Temperature Range	-40°C to +85°C
Storage Temperature Range	-65°C to +150°C

¹ Measured using a JESD51-7 printed circuit board (PCB).

Stresses at or above those listed under Absolute Maximum Ratings may cause permanent damage to the product. This is a stress rating only; functional operation of the product at these or any other conditions above those indicated in the operational section of this specification is not implied. Operation beyond the maximum operating conditions for extended periods may affect product reliability.

JUNCTION TO BOARD THERMAL IMPEDANCE

The junction to board thermal impedance (θ_{JB}) is the thermal impedance from the die to the leads of the AD8342. The value given in Table 3 is based on the standard PCB described in JESD51-7 for the thermal testing of a surface-mount component. Board size and complexity (number of layers) affect θ_{JB} ; more layers tend to reduce thermal impedance slightly.

If the board temperature is known, use the junction to board thermal impedance to calculate the die temperature (also known as the junction temperature) to ensure that it does not exceed the specified limit of 135°C. For example, if the board temperature is 85°C, the die temperature is given by the equation,

$$T_j = T_B + (P_{DISS} \times \theta_{JB})$$

The worst case power dissipation for the AD8342 is 593 mW (5.25 V \times 113 mA, see Table 1). Therefore, T_j is

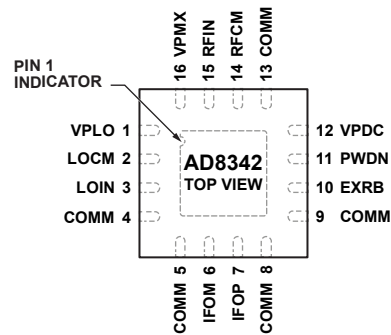
$$T_j = 85^\circ\text{C} + (0.593 \text{ W} \times 37.4^\circ\text{C/W}) = 107.2^\circ\text{C}$$

ESD CAUTION



ESD (electrostatic discharge) sensitive device. Charged devices and circuit boards can discharge without detection. Although this product features patented or proprietary protection circuitry, damage may occur on devices subjected to high energy ESD. Therefore, proper ESD precautions should be taken to avoid performance degradation or loss of functionality.

PIN CONFIGURATION AND FUNCTION DESCRIPTIONS



NOTES
 1. CONNECT THE EXPOSED PAD THROUGH A LOW ELECTRICAL AND THERMAL RESISTANCE PATH TO A GROUND PLANE SIMILAR TO THAT SHOWN IN THE EVALUATION BOARD SECTION.

015352-002

Figure 2. Pin Configuration

Table 4. Pin Function Descriptions

Pin No.	Mnemonic	Description
1	VPLO	Positive Supply Voltage for the LO Buffer: 4.75 V to 5.25 V.
2	LOCM	AC Ground for Limiting LO Amplifier. This pin is internally biased to $V_S - 1.6$ V. AC couple this pin to ground.
3	LOIN	LO Input. Nominal input level: 0 dBm. Input level range: -10 dBm to $+4$ dBm (relative to 50Ω). Internally biased to $V_S - 1.6$ V. This pin must be ac-coupled.
4, 5, 8, 9, 13	COMM	Device Common (DC Ground).
6, 7	IFOM, IFOP	Differential IF Outputs (Open-Collectors). Each requires dc bias of 5.00 V (nominal).
10	EXRB	Mixer Bias Voltage. Connect a resistor from EXRB to ground. The typical value of 1.82 k Ω sets the mixer current to nominal value. The minimum resistor value from EXRB to ground = 1.8 k Ω . This pin is internally biased to 1.17 V.
11	PWDN	Connect to Ground for Normal Operation. Connect this pin to V_S for disable mode.
12	VPDC	Positive Supply Voltage for the DC Bias Cell: 4.75 V to 5.25 V.
14	RFCM	AC Ground for RF Input. Internally biased to 2.4 V. AC couple this pin to ground.
15	RFIN	RF Input. This pin is internally biased to 2.4 V. This pin must be ac-coupled.
16	VPMX	Positive Supply Voltage for the Mixer: 4.75 V to 5.25 V.
	EP	Exposed Pad. Connect the exposed pad through a low electrical and thermal resistance path to a ground plane similar to that shown in the Evaluation Board section. See Figure 62 and Figure 63.

TYPICAL PERFORMANCE CHARACTERISTICS

$V_S = 5\text{ V}$, $T_A = 25^\circ\text{C}$, RF power = -10 dBm , LO power = 0 dBm , $Z_O = 50\ \Omega$, $R_{BIAS} = 1.82\text{ k}\Omega$, RF termination $100\ \Omega$, IF load = $100\ \Omega$ differential, unless otherwise noted.

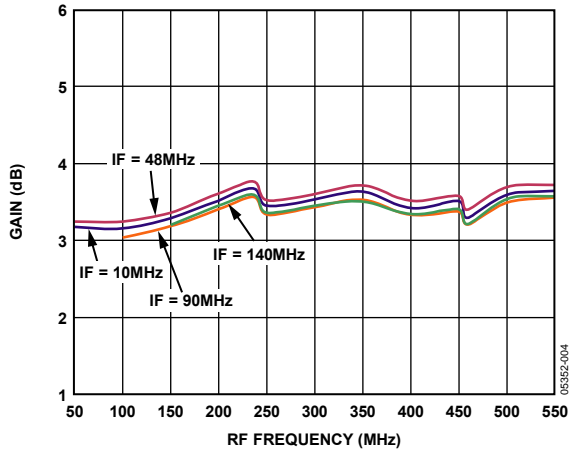


Figure 3. Conversion Gain vs. RF Frequency

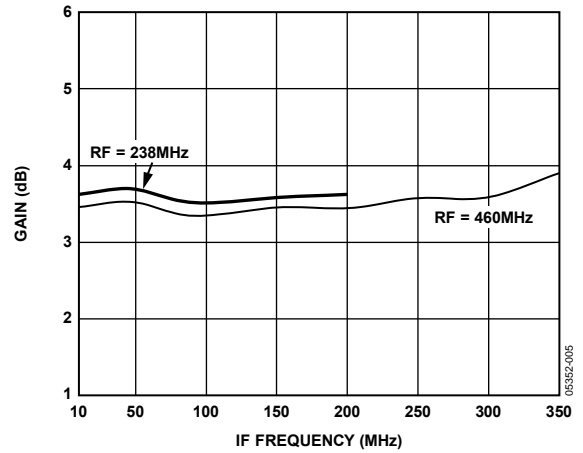


Figure 6. Conversion Gain vs. IF Frequency

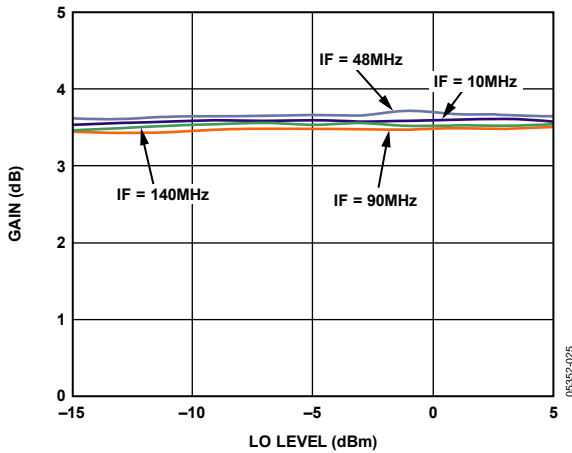


Figure 4. Gain vs. LO Level, RF Frequency = 238 MHz

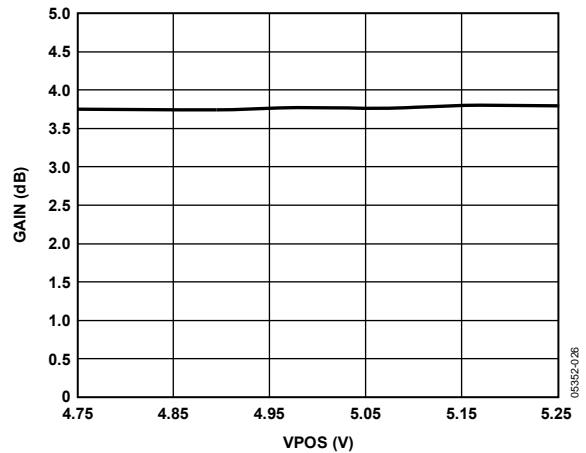


Figure 7. Gain vs. VPOS, $f_{RF} = 238\text{ MHz}$, $f_{LO} = 286\text{ MHz}$

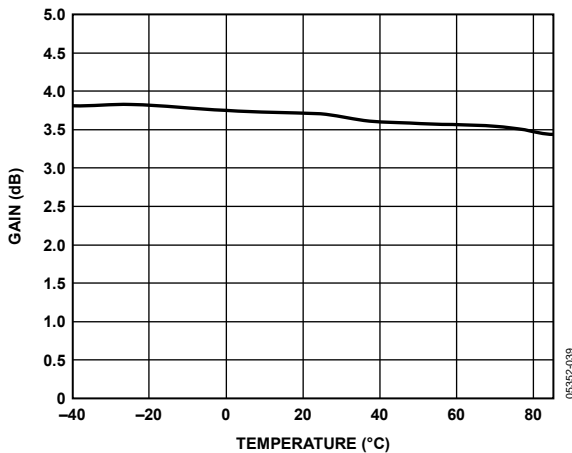


Figure 5. Gain vs. Temperature, $f_{RF} = 238\text{ MHz}$, $f_{LO} = 286\text{ MHz}$

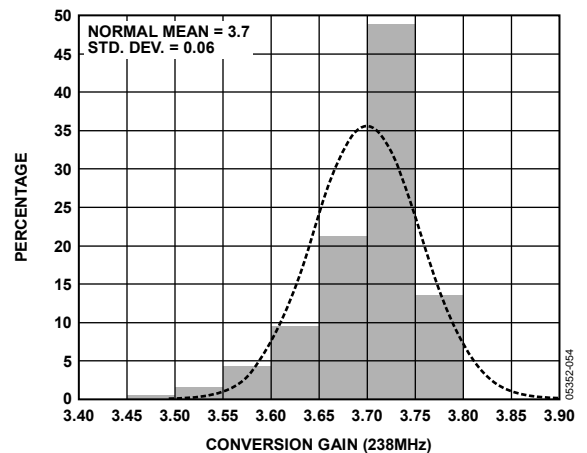


Figure 8. Conversion Gain Distribution, $f_{RF} = 238\text{ MHz}$, $f_{LO} = 286\text{ MHz}$

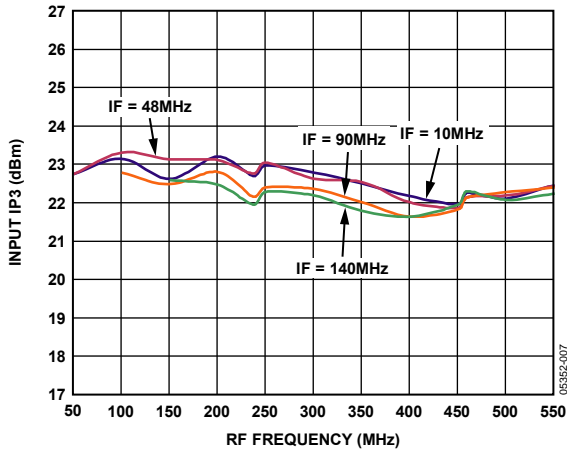


Figure 9. Input IP3 vs. RF Frequency

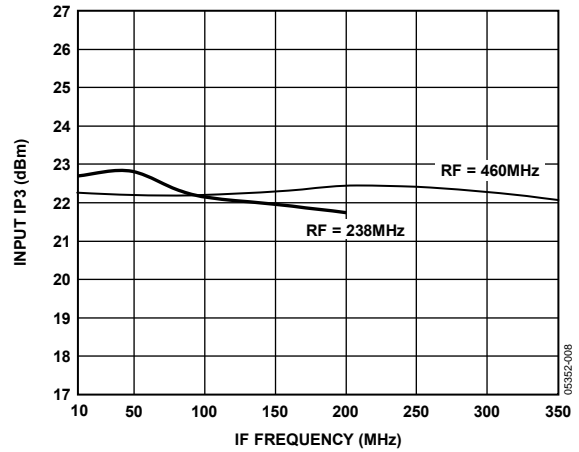


Figure 12. Input IP3 vs. IF Frequency

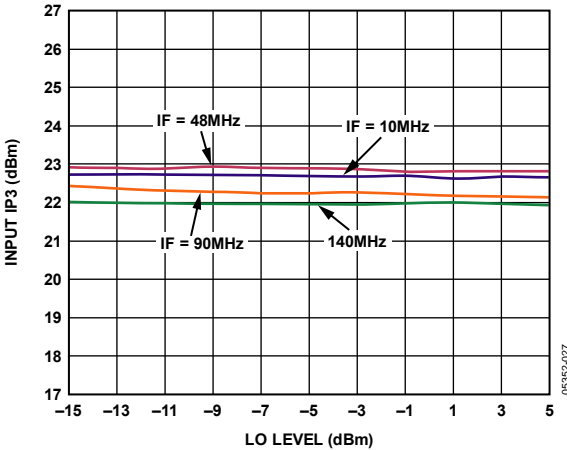


Figure 10. Input IP3 vs. LO Level, $f_{RF1} = 238 \text{ MHz}$, $f_{RF2} = 239 \text{ MHz}$

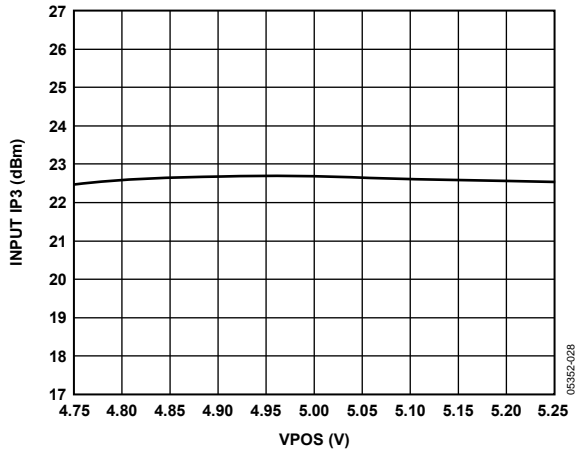


Figure 13. Input IP3 vs. VPOS, $f_{RF} = 238 \text{ MHz}$, $f_{RF2} = 239 \text{ MHz}$
LO Frequency = 286 MHz

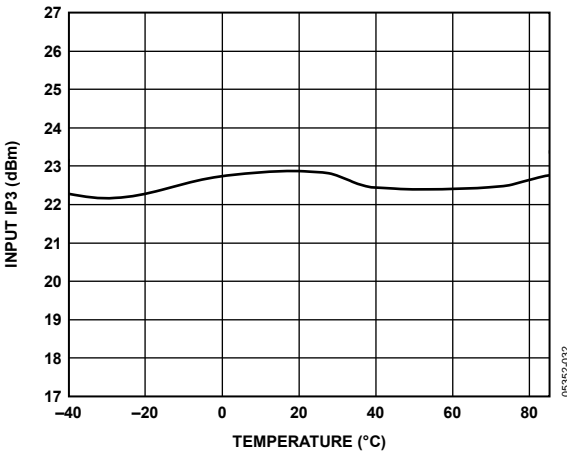


Figure 11. Input IP3 vs. Temperature, $f_{RF1} = 238 \text{ MHz}$, $f_{RF2} = 239 \text{ MHz}$,
 $f_{LO} = 286 \text{ MHz}$

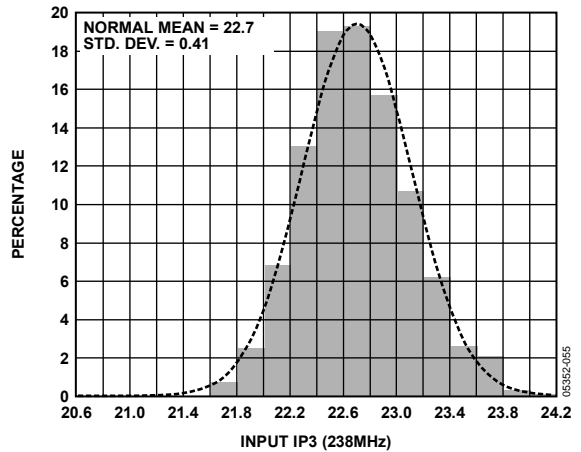


Figure 14. Input IP3 Distribution, $f_{RF} = 238 \text{ MHz}$, $f_{LO} = 286 \text{ MHz}$

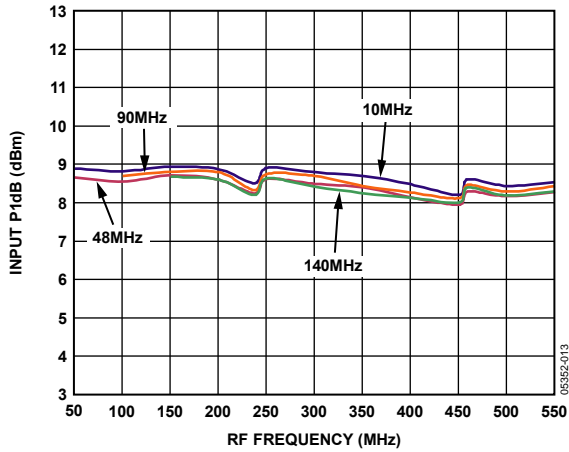


Figure 15. Input P1dB vs. RF Frequency

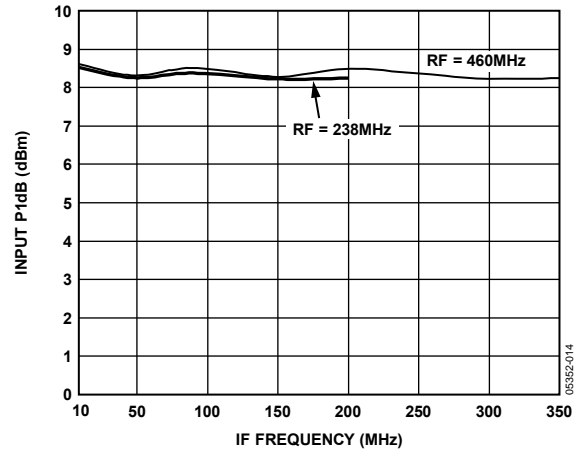


Figure 18. Input P1dB vs. IF Frequency

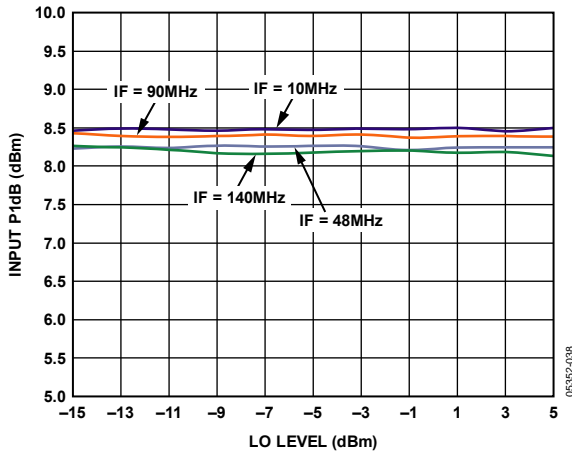


Figure 16. Input P1dB vs. LO Level, $f_{RF} = 238$ MHz

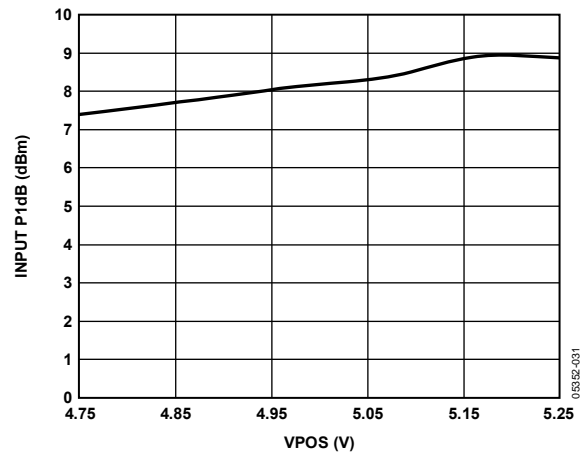


Figure 19. Input P1dB vs. VPOS, $f_{RF} = 238$ MHz, $f_{LO} = 286$ MHz

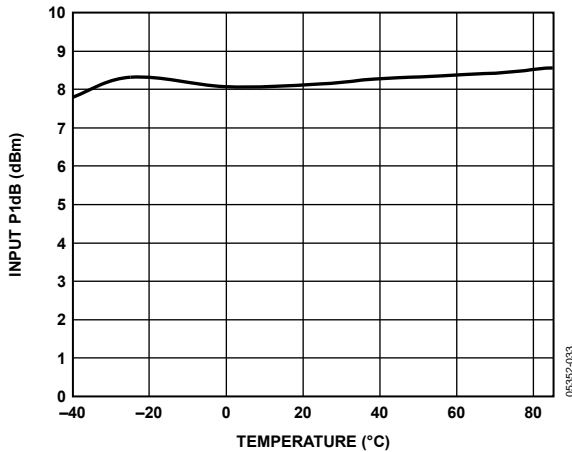


Figure 17. Input P1dB vs. Temperature, $f_{RF} = 238$ MHz, $f_{LO} = 286$ MHz

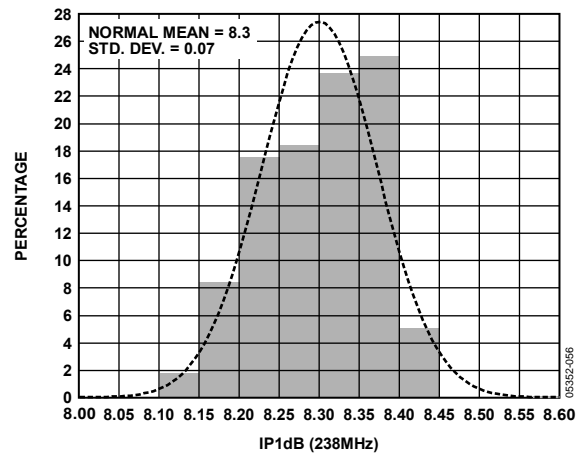


Figure 20. Input IP3 Distribution, $f_{RF} = 238$ MHz, $f_{LO} = 286$ MHz

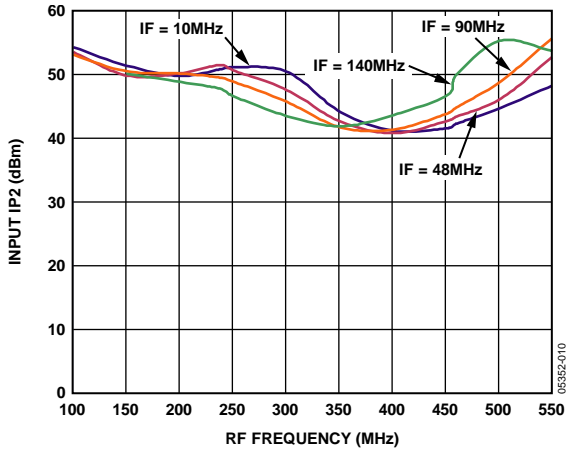


Figure 21. Input IP2 vs. RF Frequency (Second RF = RF - 50 MHz)

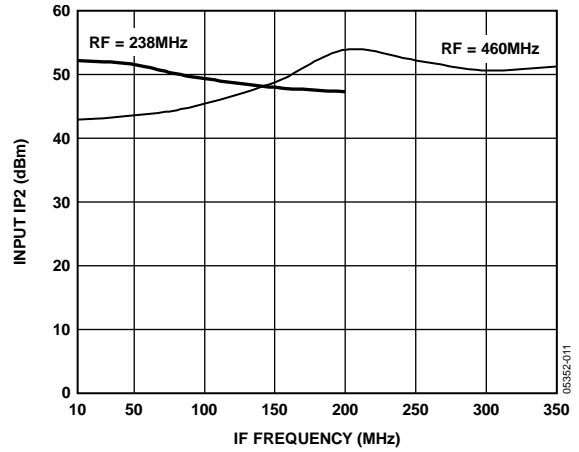


Figure 24. Input IP2 vs. IF Frequency (Second RF = RF - 50 MHz)

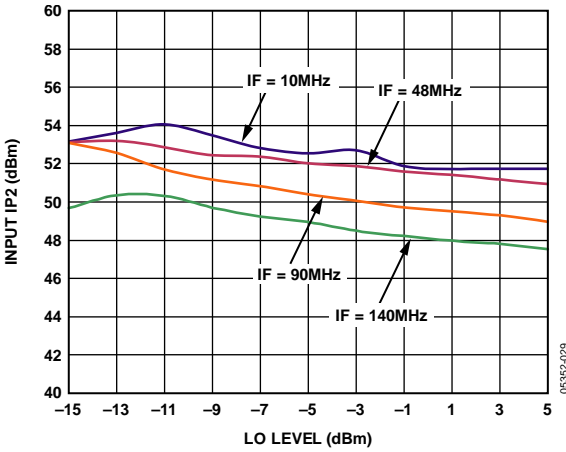


Figure 22. Input IP2 vs. LO Level, $f_{RF} = 238$ MHz, $f_{RF2} = 188$ MHz

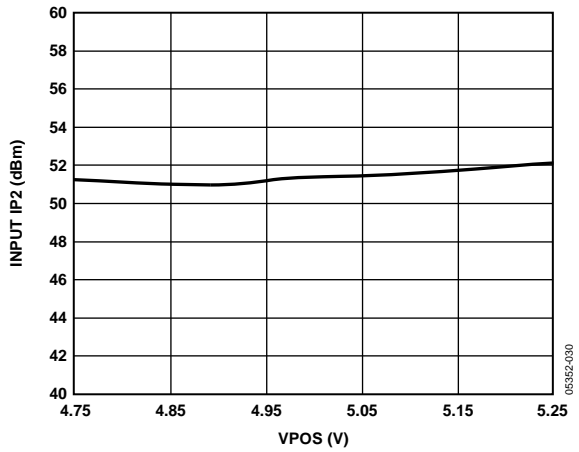


Figure 25. Input IP2 vs. VPOS, $f_{RF1} = 238$ MHz, $f_{RF2} = 188$ MHz, $f_{LO} = 286$ MHz

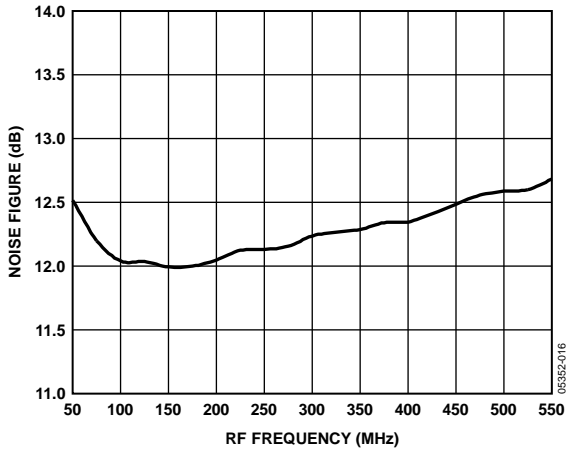


Figure 23. Noise Figure vs. RF Frequency, IF Frequency = 48 MHz

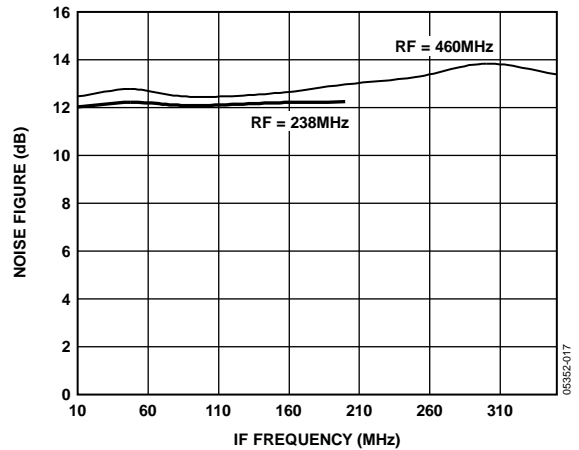


Figure 26. Noise Figure vs. IF Frequency

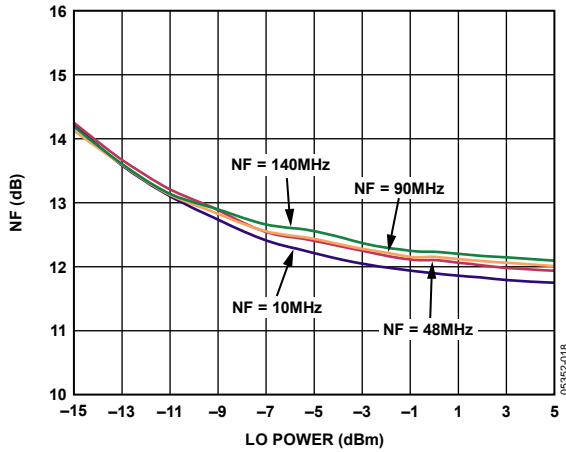


Figure 27. Noise Figure vs. LO Power, $f_{RF} = 238$ MHz

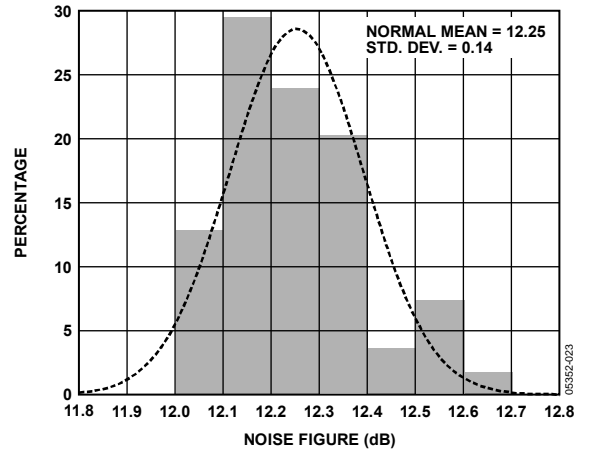


Figure 30. Noise Figure Distribution, $f_{RF} = 238$ MHz, $f_{LO} = 286$ MHz

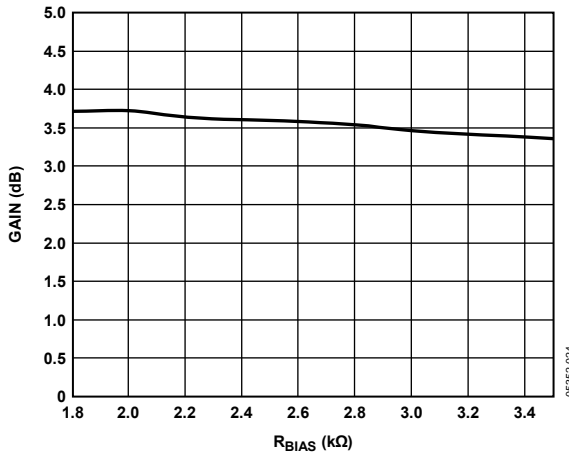


Figure 28. Gain vs. R_{BIAS} , RF Frequency = 238 MHz, LO Frequency = 286 MHz

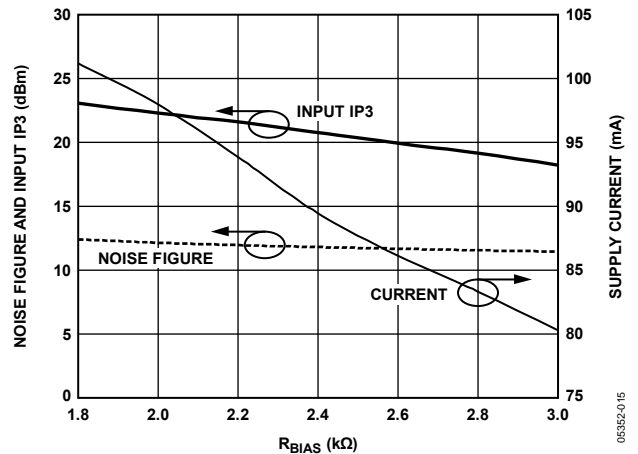


Figure 31. Noise Figure, Input IP3, and Supply Current vs. R_{BIAS} , $f_{RF1} = 238$ MHz, $f_{RF2} = 239$ MHz, $f_{LO} = 286$ MHz

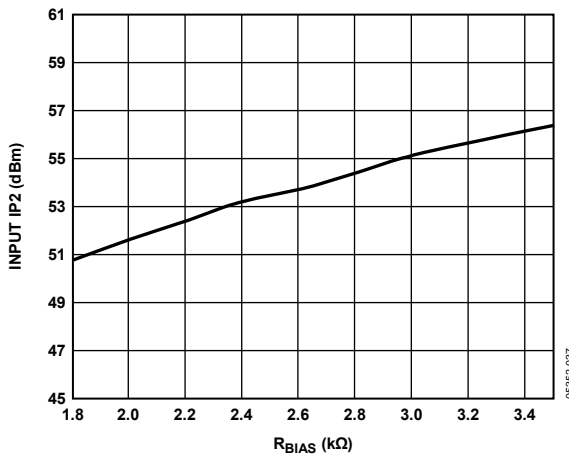


Figure 29. Input IP2 vs. R_{BIAS} , $f_{RF} = 238$ MHz (Second RF = RF - 50 MHz), $f_{LO} = 286$ MHz

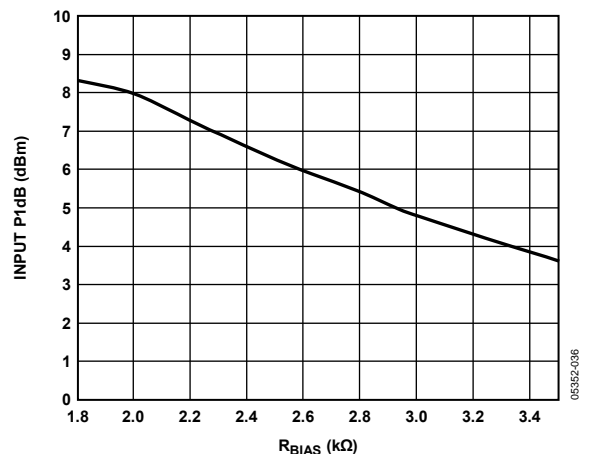


Figure 32. Input P1dB vs. R_{BIAS} , $f_{RF} = 238$ MHz, $f_{LO} = 286$ MHz

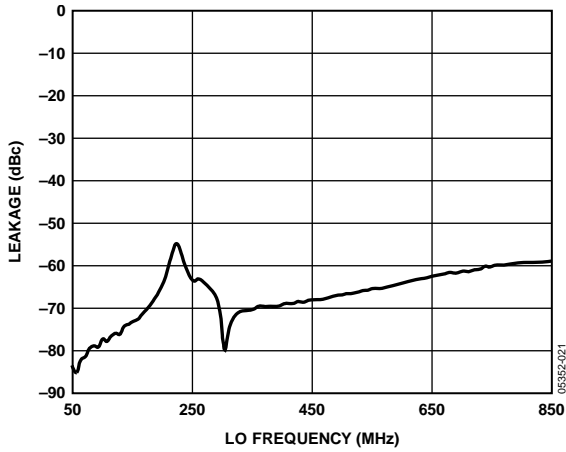


Figure 33. LO to RF Leakage vs. LO Frequency, LO Power = 0 dBm

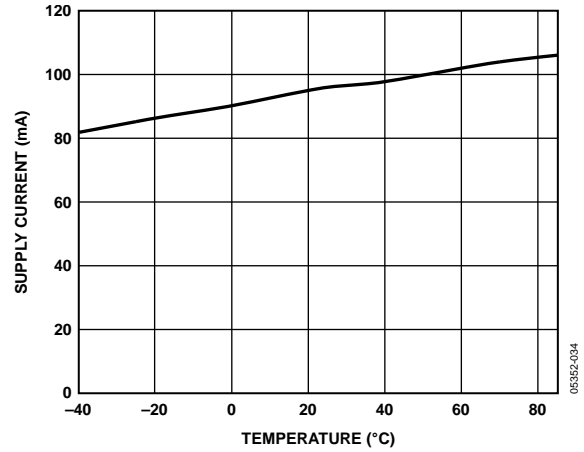


Figure 36. Supply Current vs. Temperature

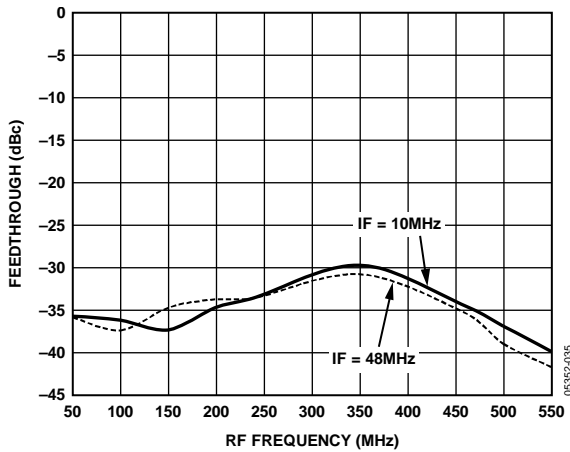


Figure 34. RF to IF Feedthrough, RF Power = -10 dBm

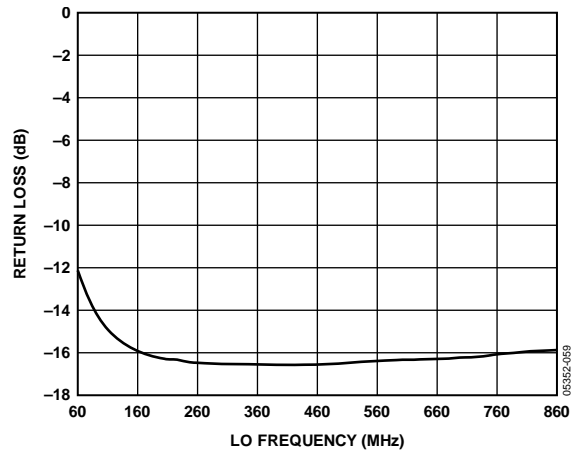


Figure 37. LO Return Loss vs. LO Frequency

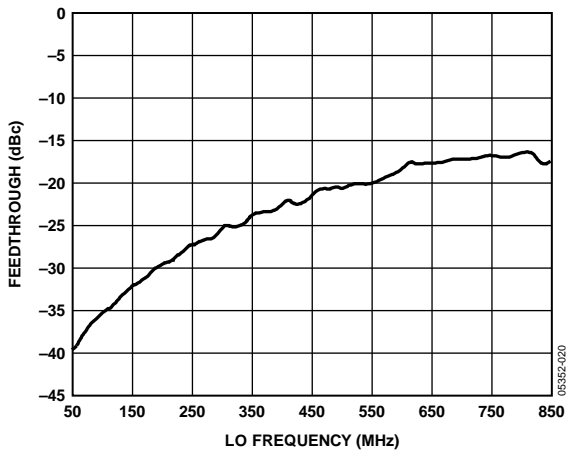


Figure 35. LO to IF Feedthrough vs. LO Frequency, LO Power = 0 dBm

SPURIOUS PERFORMANCE

$N_{f_{RF}} - M_{f_{LO}}$ spur measurements were taken using the standard test board. $V_S = 5\text{ V}$, $T_A = 25^\circ\text{C}$, RF and LO power = 0 dBm, $f_{RF} = 238\text{ MHz}$, $f_{LO} = 286\text{ MHz}$, $Z_O = 50\ \Omega$, $R_{BIAS} = 1.82\text{ k}\Omega$, RF termination 100 Ω , IF load = 100 Ω differential.

Typical noise floor of measurement system = -100 dBm.

Table 5.

		M														
		0	1	2	3	4	5	6	7	8	9	10	11	12	13	14
N	0	<-100	-25	-54	-28	-45	-35	-39	-36	-42	-57	-44	-42	-41	-46	-59
	1	-32	3.5	-42	-6	-48	-16	-50	-28	-57	-37	-68	-45	-54	-37	-61
	2	-52	-47	-51	-49	-54	-56	-56	-62	-62	-66	-71	-80	-80	-67	-79
	3	-81	-57	-79	-61	-82	-61	-74	-69	-94	-85	-89	-86	-86	-90	-81
	4	-78	-70	-80	-79	-80	-85	-87	-92	-93	-96	-95	<-100	-97	<-100	-95
	5	-98	-79	-95	-87	-96	-94	-95	-88	-98	-94	<-100	<-100	<-100	<-100	<-100
	6	<-100	<-100	<-100	-99	<-100	-96	<-100	<-100	<-100	<-100	<-100	<-100	<-100	<-100	<-100
	7	<-100	<-100	<-100	<-100	-96	<-100	-98	<-100	<-100	<-100	<-100	<-100	<-100	<-100	<-100
	8	<-100	<-100	<-100	<-100	<-100	<-100	<-100	<-100	-97	<-100	<-100	<-100	<-100	<-100	<-100
	9	<-100	<-100	<-100	<-100	<-100	<-100	<-100	<-100	<-100	<-100	<-100	-99	<-100	<-100	<-100
	10	<-100	<-100	<-100	<-100	<-100	<-100	<-100	<-100	<-100	<-100	-99	<-100	<-100	<-100	<-100
	11	<-100	<-100	<-100	<-100	<-100	<-100	<-100	-96	<-100	-97	<-100	-96	<-100	<-100	<-100
	12	<-100	<-100	<-100	<-100	<-100	<-100	<-100	<-100	-99	<-100	-98	<-100	<-100	<-100	<-100
	13	<-100	<-100	<-100	<-100	<-100	<-100	<-100	<-100	<-100	-97	<-100	-97	-99	<-100	<-100
	14	<-100	<-100	<-100	<-100	<-100	<-100	<-100	<-100	<-100	<-100	-98	-98	<-100	<-100	<-100
15	<-100	<-100	<-100	<-100	<-100	<-100	<-100	<-100	<-100	<-100	<-100	<-100	<-100	<-100	<-100	

TEST CIRCUIT

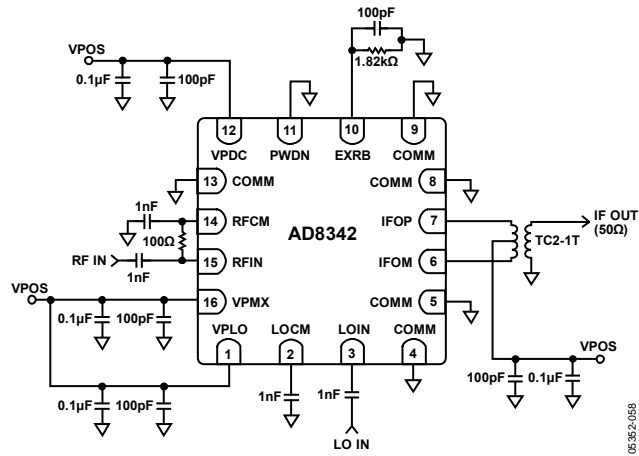


Figure 38. Characterization Circuit Used to Measure Typical Performance Characteristics Data

THEORY OF OPERATION

The **AD8342** is an active mixer, optimized for operation within the RF input frequency range of near dc to 3.8 GHz. It has a differential, high impedance RF input that can be terminated or matched externally. The RF input can be driven either single-ended or differentially. The LO input is a single-ended 50 Ω input. The IF outputs are differential open-collectors. The mixer current can be adjusted by the value of an external resistor to optimize performance for gain, compression, and intermodulation, or for low power operation. Figure 39 shows the basic blocks of the mixer, including the LO buffer, RF voltage-to-current converter, bias cell, and mixing core.

The RF voltage to RF current conversion is done via a resistively degenerated differential pair. To drive this port single-ended, the RFCM pin must be ac grounded and the RFIN pin ac-coupled to the signal source. The RF inputs can also be driven differentially. The voltage to current converter then drives the emitters of a four-transistor switching core. This switching core is driven by an amplified version of the local oscillator signal connected to the LO input. There are three limiting gain stages between the external LO signal and the switching core. The first stage converts the single-ended LO drive to a well-balanced differential drive. The differential drive then passes through two more gain stages, which ensures that a limited signal drives the switching core. This affords the user a lower LO drive requirement, while maintaining excellent distortion and compression performance. The output signal of these three LO gain stages drives the four transistors within the mixer core to commute at the rate of the local oscillator frequency. The output of the mixer core is taken directly from its open-collectors. The open-collector outputs present a high impedance at the IF frequency. The conversion gain of the mixer depends directly on the impedance presented to these open-collectors. In characterization, a 100 Ω load was presented to the device via a 2:1 impedance transformer.

The device also features a power-down function. Application of a logic low at the PWDN pin allows normal operation. A high logic level at the PWDN pin shuts down the **AD8342**. Power consumption when the device is disabled is less than 10 mW.

The bias for the mixer is set with an external resistor (R_{BIAS}) from the EXRB pin to ground. The value of this resistor directly affects the dynamic range of the mixer. The external resistor must not be lower than 1.82 k Ω . Permanent damage to the

device can result if values below 1.8 k Ω are used. This resistor sets the dc current through the mixer core. The performance effects of changing this resistor can be seen in the Typical Performance Characteristics section.

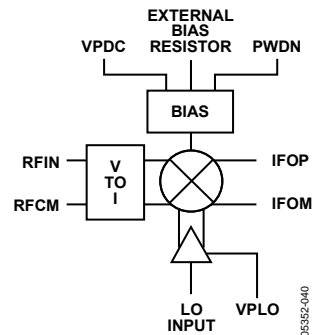


Figure 39. Simplified Schematic Showing the Key Elements of the **AD8342**

As shown in Figure 40, the IF output pins, IFOP and IFOM, are directly connected to the open-collectors of the NPN transistors in the mixer core so the differential and single-ended impedances looking into this port are relatively high, on the order of several k Ω . A connection between the supply voltage and these output pins is required for proper mixer core operation.

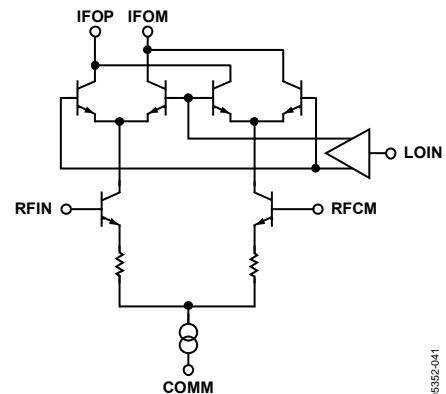


Figure 40. **AD8342** Simplified Schematic

The **AD8342** has three pins for the supply voltage: VPDC, VPMX, and VPLO. These pins are separated to minimize or eliminate possible parasitic coupling paths within the **AD8342** that can cause spurious signals or reduced interport isolation. Consequently, each of these pins must be well bypassed and decoupled as close to the **AD8342** as possible.

AC INTERFACES

The AD8342 is designed to downconvert radio frequencies (RF) to lower intermediate frequencies (IF) using a high- or low-side local oscillator (LO). The LO is injected into the mixer core at a frequency higher or lower than the desired input RF. The frequency difference between the LO and the RF, $f_{LO} - f_{RF}$ (high side) or $f_{RF} - f_{LO}$ (low side), is the intermediate frequency, f_{IF} . In addition to the desired RF signal, an RF image is downconverted to the desired IF frequency. The image frequency is at $f_{LO} + f_{IF}$ when driven with a high-side LO. When using a broadband load, the conversion gain of the AD8342 is nearly constant over the specified RF input band (see Figure 3).

The AD8342 is designed to operate over a broad frequency range. It is essential to ac couple RF and LO ports to prevent dc offsets from skewing the mixer core in an asymmetrical manner, potentially degrading noise figure and linearity.

The RF input of the AD8342 is high impedance, 1 k Ω across the frequency range shown in Figure 41. The input capacitance decreases with frequency due to package parasitics.

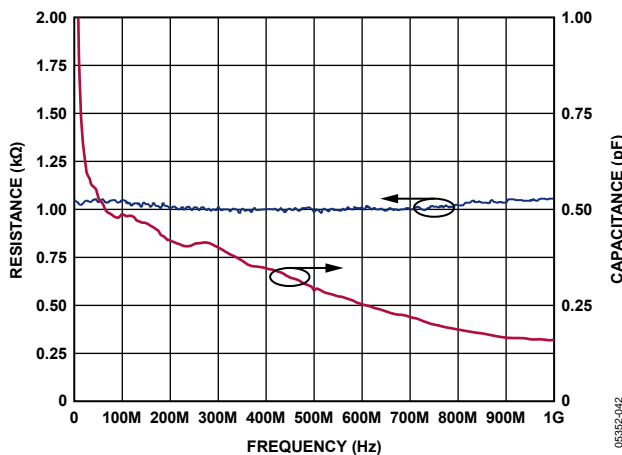


Figure 41. RF Input Impedance

The matching or termination used at the RF input of the AD8342 has a direct effect on its dynamic range. The characterization circuit, as well as the evaluation board, uses a 100 Ω resistor to terminate the RF port. This termination resistor in shunt with the input stage results in a return loss of better than -10 dBm (relative to 50 Ω). Table 6 shows gain, IP3, P1dB, and noise figure (NF) for four different input networks. This data was measured at an RF frequency of 250 MHz and at an LO frequency of 300 MHz.

Table 6. Dynamic Performance for Various Input Networks

Input Network	50 Ω Shunt	100 Ω Shunt	500 Ω Shunt	Matched (see Figure 42)
Gain (dB)	0.66	3.5	5.3	9.3
IIP3 (dBm)	25.4	22.9	20.6	18.5
P1dB (dBm)	10.8	8.4	6.3	2.3
NF (dB)	14	12.5	10.2	10.5

The RF port can also be matched using an LC circuit, as shown in Figure 42.

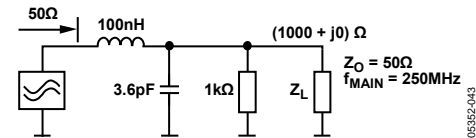


Figure 42. Matching Circuit

Impedance transformations of greater than 10:1 result in a higher Q circuit and thus a narrow RF input bandwidth. A 1 k Ω resistor is placed across the RF input of the device in parallel with the device internal input impedance, creating a 500 Ω load. This impedance is matched to as close as possible to 50 Ω for the source, with standard components using a shunt C, series L matching circuit (see Figure 43).

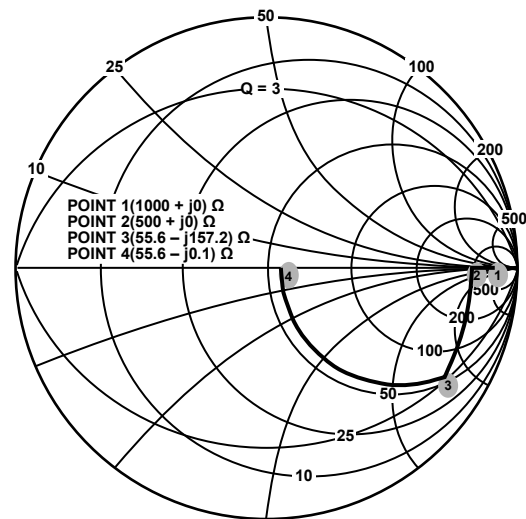


Figure 43. LC Matching Example

IF PORT

The IF port comprises open-collector differential outputs. The NPN open-collectors can be modeled as current sources that are shunted with resistances of ~10 kΩ in parallel with capacitances of ~1 pF.

The specified performance numbers for the AD8342 were measured with 100 Ω differential terminations. However, different load impedances can be used where circumstances dictate. In general, lower load impedances result in lower conversion gain and lower output P1dB. Higher load impedances result in higher conversion gain for small signals, but lower IP3 values for both input and output.

If the IF signal is to be delivered to a remote load, more than a few millimeters away at high output frequencies, avoid unintended parasitic effects due to the intervening PCB traces. One approach is to use an impedance transforming network or transformer located close to the AD8342. If very wideband output is desired, a nearby buffer amplifier may be a better choice, especially if IF response to dc is required. An example of such a circuit is presented in Figure 45, in which the AD8351 differential amplifier is used to drive a pair of 75 Ω transmission lines. The gain of the buffer can be independently set by appropriate choice of the value for the gain resistor, R_G.

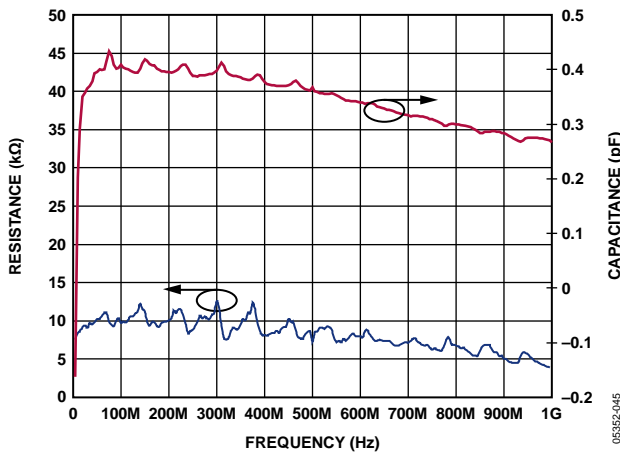


Figure 44. IF Port Impedance

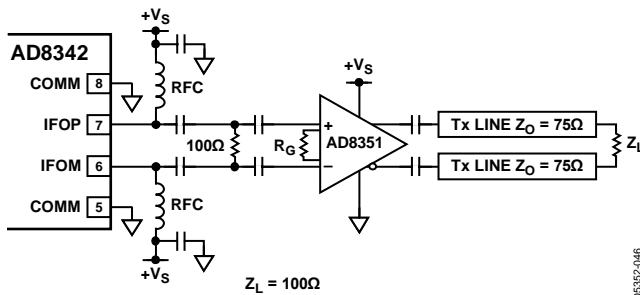


Figure 45. AD8351 Used as Transmission Line Driver and Impedance Buffer

The high input impedance of the AD8351 allows a shunt differential termination to provide the desired 100 Ω load to the AD8342 IF output port.

It is necessary to bias the open-collector outputs using one of the schemes presented in Figure 47 and Figure 48. Figure 47 illustrates the application of a center-tapped impedance transformer. The turn ratio of the transformer must be selected to provide the desired impedance transformation. In the case of a 50 Ω load impedance, use a 2-to-1 impedance ratio transformer to transform the 50 Ω load into a 100 Ω differential load at the IF output pins. Figure 48 illustrates a differential IF interface where pull-up choke inductors are used to bias the open-collector outputs. The shunting impedance of the choke inductors used to couple dc current into the mixer core must be large enough at the IF operating frequency so it does not load down the output current before reaching the intended load. Additionally, the dc current handling capability of the selected choke inductors must be at least 45 mA. The self-resonant frequency of the selected choke must be higher than the intended IF frequency. A variety of suitable choke inductors is commercially available from manufacturers such as Murata and Coilcraft®. Figure 46 shows the loading effects when using nonideal inductors. An impedance transforming network may be required to transform the final load impedance to 100 Ω at the IF outputs. There are several good reference books that explain general impedance matching procedures, including:

- Chris Bowick, *RF Circuit Design*, Newnes, Reprint Edition, 1997.
- David M. Pozar, *Microwave Engineering*, Wiley, Third Edition, 2004.
- Guillermo Gonzalez, *Microwave Transistor Amplifiers: Analysis and Design*, Prentice Hall, Second Edition, 1996.

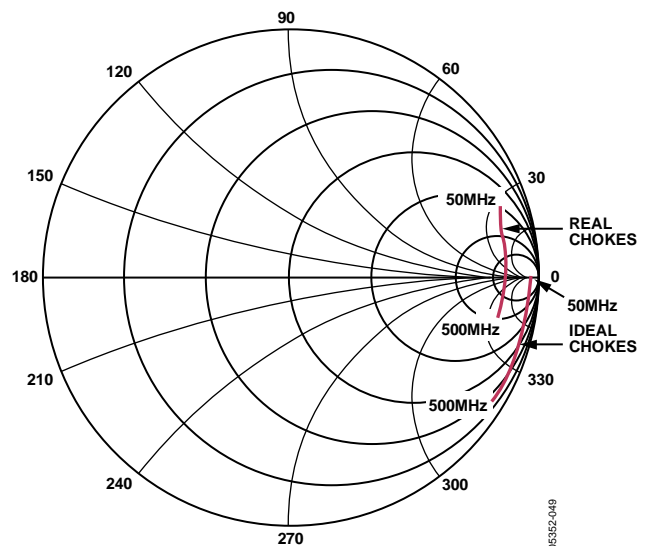


Figure 46. IF Port Loading Effects Due to Finite Q Pull-Up Inductors (Murata BLM18HD601SN1D Chokes)

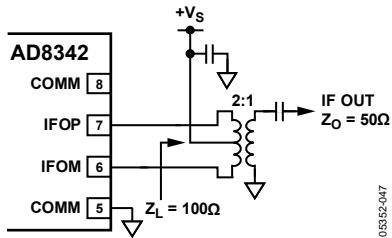


Figure 47. Biasing the IF Port Open-Collector Outputs Using a Center-Tapped Impedance Transformer

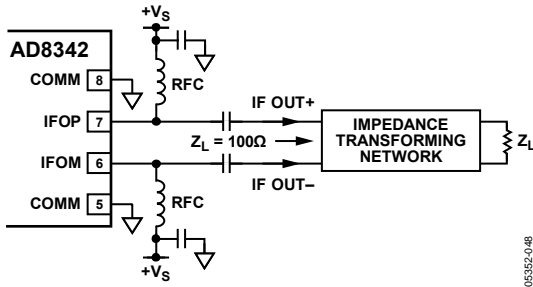


Figure 48. Biasing the IF Port Open-Collector Outputs Using Pull-Up Choke Inductors

The AD8342 is optimized for driving a 100 Ω load. Although the device is capable of driving a wide variety of loads, to maintain optimum distortion and noise performance, it is advised that the presented load at the IF outputs is close to 100 Ω. The linear differential voltage conversion gain of the mixer can be modeled as

$$A_V = G_m \times R_{LOAD}$$

where:

$$G_m = \frac{1}{\pi} \times \frac{g_m}{1 + g_m R_e}$$

R_{LOAD} is the single-ended load impedance.

g_m is the transistor transconductance and is equal to $1810/R_{BIAS}$. $R_e = 15 \Omega$.

The external R_{BIAS} resistor controls the power dissipation and dynamic range of the AD8342. Because the AD8342 has internal resistive degeneration, the conversion gain is primarily determined by the load impedance and the on-chip degeneration resistors. Figure 49 shows how gain varies with IF load. The external R_{BIAS} resistor has only a small effect. The most direct way to affect conversion gain is by varying the load impedance. Small loads result in lower gains while larger loads increase the conversion gain. If the IF load impedance is too large, it causes a decrease in linearity (P1dB, IP3). To maintain positive conversion gain and preserve SFDR performance, the differential load presented at the IF port must remain in the range of about 100 Ω to 250 Ω.

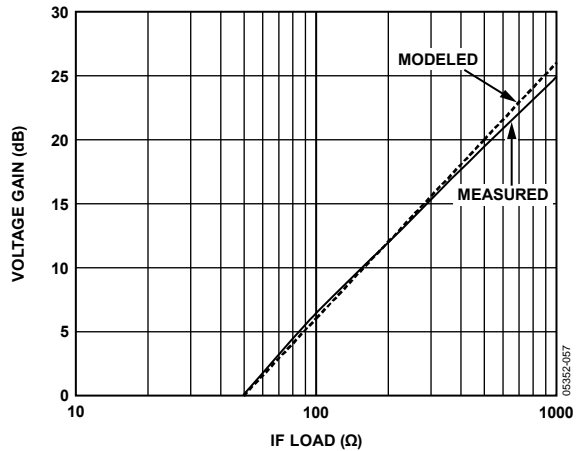


Figure 49. Voltage Conversion Gain vs. IF Loading

LO CONSIDERATIONS

The LOIN port provides a 50 Ω load impedance with common-mode decoupling on LOCM. Again, common-grade ceramic capacitors provide sufficient signal coupling and bypassing of the LO interface.

The LO signal must have adequate phase noise characteristics and low second harmonic content to prevent degradation of the noise figure performance of the AD8342. An LO plagued with poor phase noise can result in reciprocal mixing, a mechanism that causes spectral spreading of the downconverted signal, limiting the sensitivity of the mixer at frequencies adjacent to any large input signals. The internal LO buffer provides enough gain to hard-limit the input LO and provide fast switching of the mixer core. Odd harmonic content present on the LO drive signal does not impact mixer performance; however, even-order harmonics cause the mixer core to commutate in an unbalanced manner, potentially degrading noise performance. Simple lumped element low-pass filtering can be applied to help reject the harmonic content of a given local oscillator, as shown in Figure 50. The filter depicted is a common 3-pole Chebyshev, designed to maintain a 1-to-1 source-to-load impedance ratio with no more than 0.5 dB of ripple in the pass band. Other filter structures can be effective as long as the second harmonic of the LO is filtered to negligible levels, for example, ~30 dB below the fundamental.

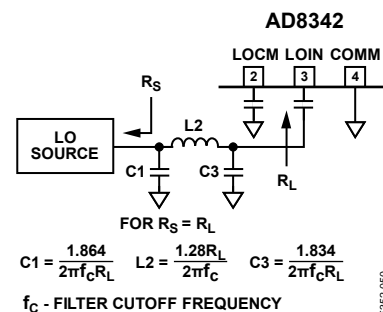


Figure 50. Using a Low-Pass Filter to Reduce LO Second Harmonic

HIGH FREQUENCY APPLICATIONS

The AD8342 is a broadband mixer capable of both up and down conversion. Unlike other mixers that rely on on-chip reactive circuitry to optimize performance over a specific band, the AD8342 is a versatile general-purpose device that can be used from arbitrarily low frequencies to several GHz. In general, the following considerations help ensure optimum performance:

- Minimize the ac loading impedance of IF port bias network.
- Maximize the power transfer to the desired ac load.
- For the maximum conversion gain and the lowest noise performance, reactively match the input as described in the IF Port section.
- For the maximum input compression point and input intercept points, resistively terminate the input as described in the IF Port section.

As an example, Figure 51 shows the AD8342 as an up-converting mixer for a W-CDMA single-carrier transmitter design. For this application, it was desirable to achieve -65 dBc adjacent channel power ratio (ACPR) at a -13 dBm output power level. The ACPR is a measure of both distortion and noise carried into an adjacent frequency channel due to the finite intercept points and noise figure of an active device.

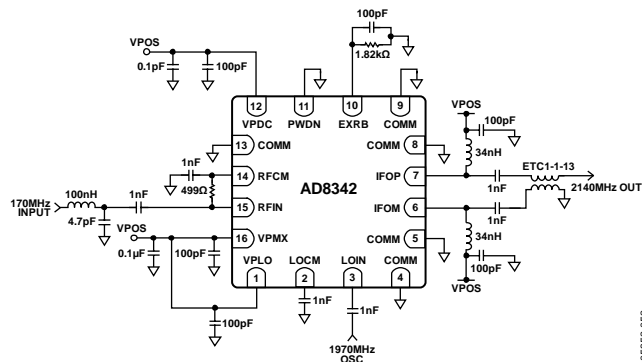


Figure 51. W-CDMA Tx Upconversion Application Circuit

Because a W-CDMA channel encompasses a bandwidth of almost 5 MHz, it is necessary to keep the Q of the matching circuit low enough so that phase and magnitude variations are below an acceptable level over the 5 MHz band. It is possible to use purely reactive matching to transform a 50 Ω source to match the raw ~1 kΩ input impedance of the AD8342. However, the L and C component variations can present production concerns due to the sensitivity of the match. For this application, it is advantageous to reduce the ~1 kΩ input impedance using an external shunt termination resistor to allow a lower Q reactive

matching network. In Figure 52, the input is terminated across the RFIN and RFCM pins using a 499 Ω termination. The termination must be as close to the device as possible to minimize standing wave concerns. The RFCM is bypassed to ground using a 1 nF capacitor. A dc blocking capacitor of 1 nF is used to isolate the dc input voltage present on the RFIN pin from the source. A step-up impedance transformation is realized using a series L shunt C reactive network. The actual values used must accommodate for the series L and stray C parasitics of the connecting transmission line segments. When using the customer evaluation board with the components specified in Figure 51, the return loss over a 5 MHz band centered at 170 MHz was better than 10 dB.

External pull-up choke inductors feed dc bias into the open-collector outputs. It is desirable to select pull-up choke inductors that present high loading reactance at the output frequency. Coilcraft 0302CS series inductors were selected due to their very high self resonant frequency and Q. A 1:1 balun was ac-coupled to the output to convert the differential output to a single-ended signal and present the output with a 50 Ω ac loading impedance.

The performance of the circuit is shown in Figure 52. The average ACPR of the adjacent and alternate channels is presented vs. output power. The circuit provides a 65 dBc ACPR at -13 dBm output power. The optimum ACPR power level can be shifted to the right or left by adjusting the output loading and the loss of the input match.

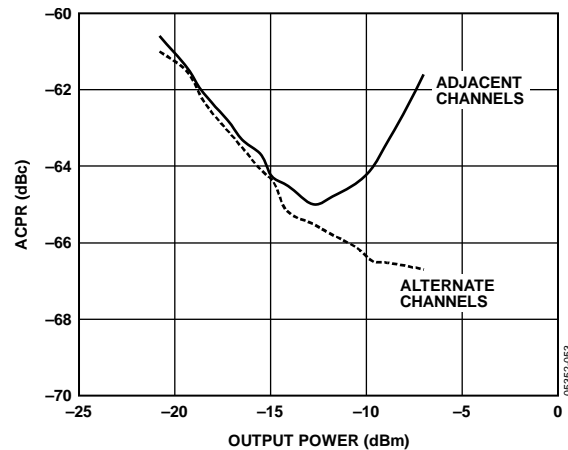
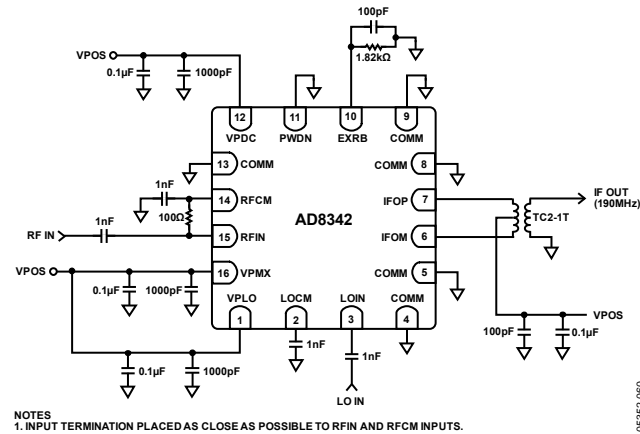


Figure 52. Single Carrier W-CDMA ACPR Performance of Tx Upconversion Circuit (Test Model 1_64)

The available frequency range of the AD8342 is extremely broad. With adequate care, any of the mixer ports can be optimized for extremely low frequencies, or up to several GHz. The standard evaluation board is populated for broadband performance from a few MHz to ~1 GHz. The input match of the RF port degrades at higher frequencies when using the standard eval board. The broadband frequency range can be extended by minimizing parasitics between the input terminating resistor, R5, and the input pins.



NOTES
1. INPUT TERMINATION PLACED AS CLOSE AS POSSIBLE TO RFIN AND RFCM INPUTS.
Figure 53. Modified Evaluation Board Schematic for Broadband Downconversion Performance up to 3 GHz

The measurements in Figure 54 were made using the modified evaluation board as configured in Figure 53.

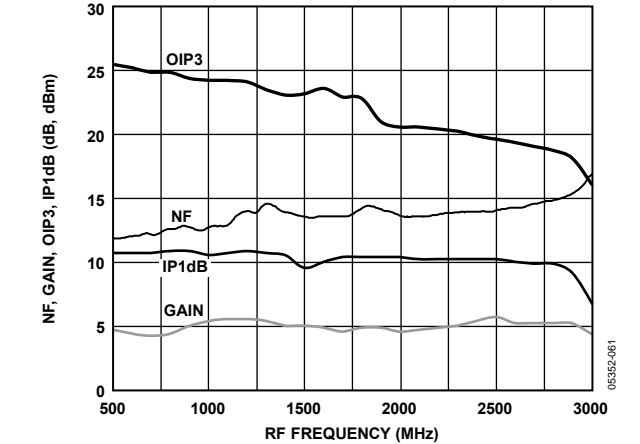


Figure 54. Input OIP3, Input P1dB, Gain, and NF vs. RF Frequency for a 190 MHz IF Using a Low-Side LO

The broadband frequency capabilities of the AD8342 makes it an attractive solution for a variety of applications, including cellular, CATV, point-to-point radio links, and test equipment. As an example, the circuit depicted in Figure 53 can easily be applied as a feedback mixer in a predistortion receiver design. The performance depicted in Figure 55 was measured using a 160 MHz IF. Here, four W-CDMA carriers with high PAR are downconverted for IF sampling so that transmit path nonlinearities can be measured and minimized using digital predistortion techniques.

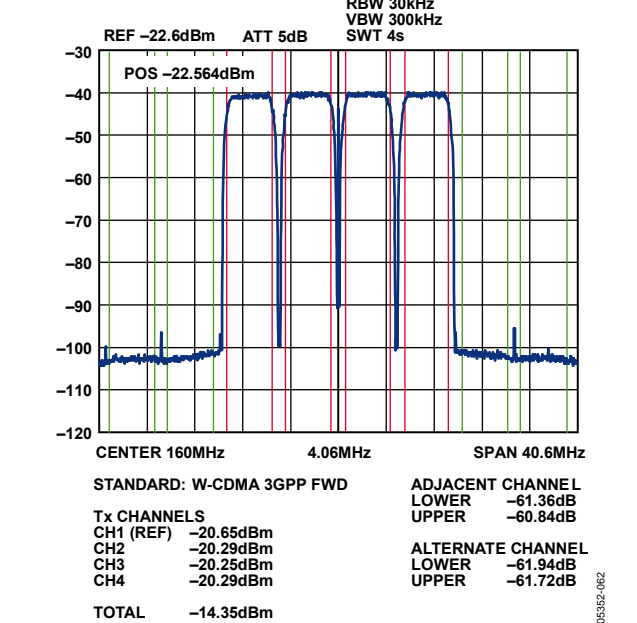


Figure 55. ACPR Performance for Multiple W-CDMA Carriers Being Downconverted from 2140 MHz to 160 MHz for Distortion Analysis

APPLICATIONS ABOVE 3 GHz

Operation of the AD8342 mixer can be extended above 3 GHz; however, bandwidth is limited due to on-chip parasitics. By eliminating all unnecessary parasitics in the LO path, the LO input voltage standing wave ratio (VSWR) can be kept low up to 4 GHz. Figure 56 shows the circuit configuration for the RF input frequency of 3.5 GHz to 3.8 GHz. A 22 Ω resistor is added between the RFCM pin and the 1 nF capacitor to ground, and a 1 pF capacitor is also added to provide the tuning for the desired frequency range. The resulting RF and LO input return losses are shown in Figure 57. Using a fixed LO frequency of 3.4 GHz, the conversion gain response for the RF input frequency range from 3.5 GHz to 3.8 GHz is shown in Figure 59.

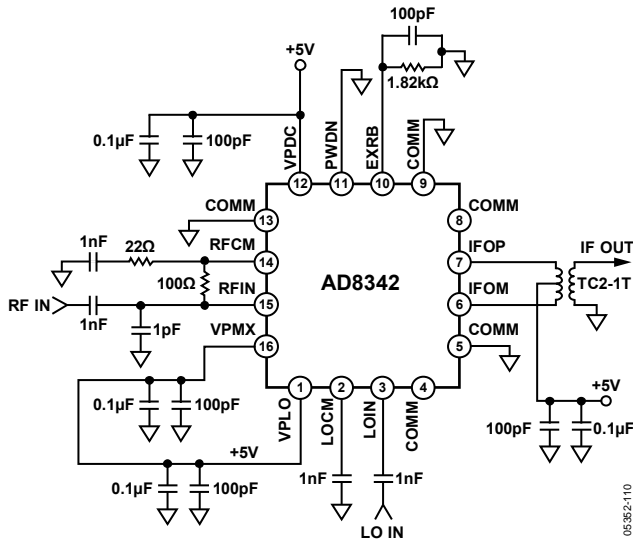


Figure 56. Circuit for 3.5 GHz to 3.8 GHz RF Input

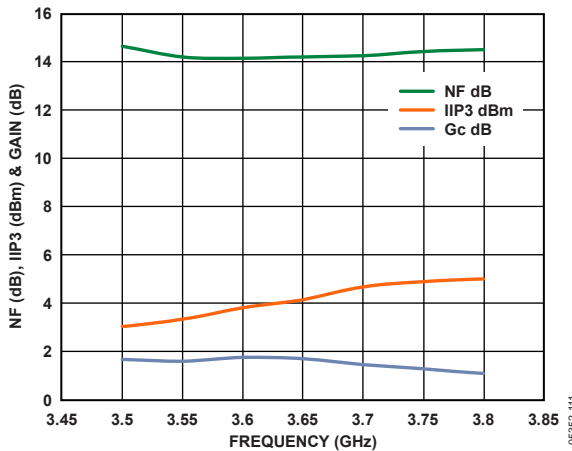


Figure 57. NF, IIP3, and Gain for 3.5 GHz to 3.8 GHz

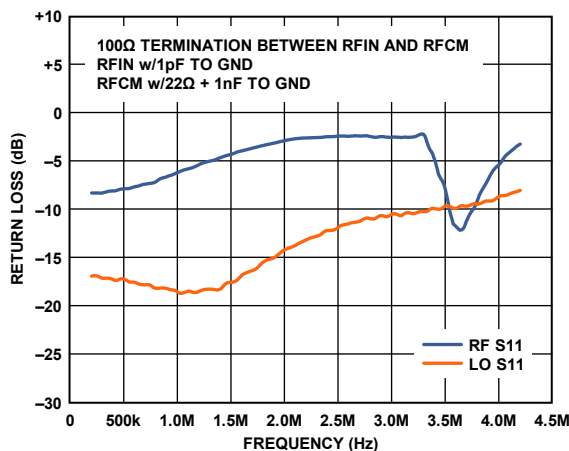


Figure 58. RF and LO Return Loss with Matching

LOW FREQUENCY APPLICATIONS

The AD8342 can be used in extremely low frequency applications. Figure 59 depicts the configuration with necessary modifications at IF ports. Two 10 Ω resistors bias the open-collector outputs and the output coupling capacitors must be large enough to allow intended low frequency operation. Figure 60 illustrates the gain performance at fixed IF of 10 kHz and 1 MHz for broadband downconversion using a low-side LO.

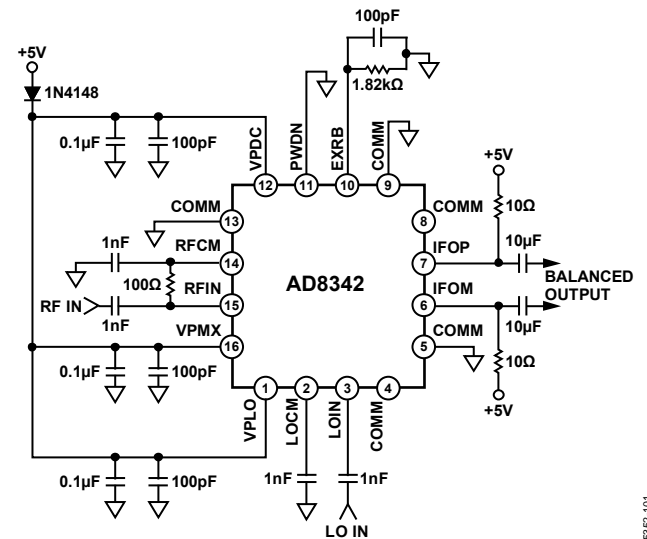


Figure 59. Modified Evaluation Board Schematic for Downconverting Broadband RF to Low IF Frequencies

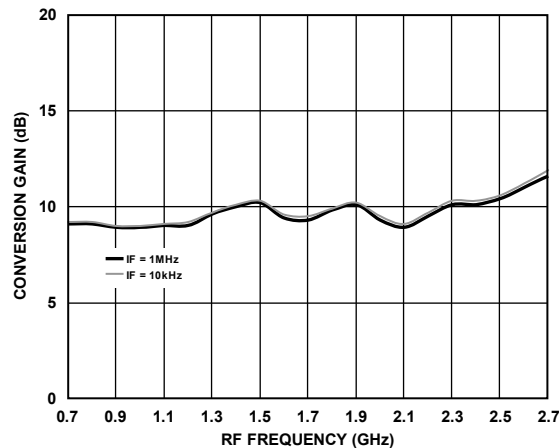


Figure 60. Gain Performance for 1 MHz and 10 kHz IF of Broadband Downconversion

EVALUATION BOARD

An evaluation board is available for the AD8342. The evaluation board is configured for single-ended signaling at the IF output port via a balun transformer. The schematic for the evaluation board is presented in Figure 61. The representations of the board layout are included in Figure 62 through Figure 65.

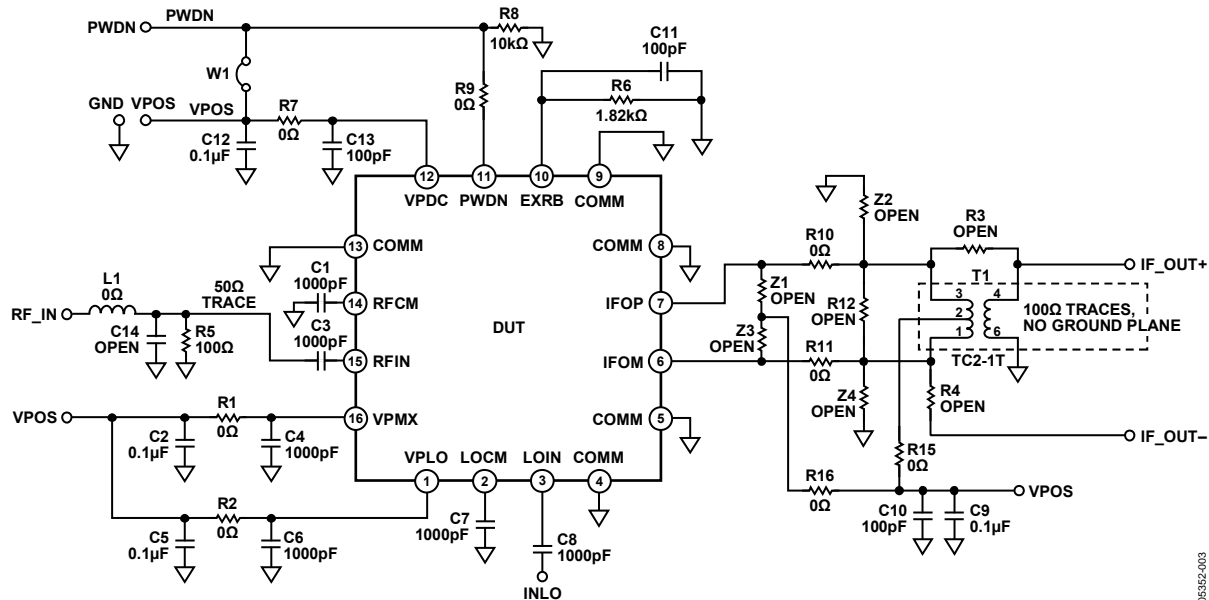


Figure 61. Evaluation Board

Table 7. Evaluation Board Configuration Options

Component	Description	Default Conditions
R1, R2, R7, C2, C4, C5, C6, C9, C10, C12, C13	Supply decoupling. Shorts or power supply decoupling resistors and filter capacitors.	R1, R2, R7 = 0 Ω C4, C6 = 1000 pF C10, C13 = 100 pF C2, C5, C9, C12 = 0.1 μF
R3, R4	Options for a single-ended IF output circuit.	R3, R4 = Open
R6, C11	R _{BIAS} resistor that sets the bias current for the mixer core. The capacitor provides ac bypass for R6.	R6 = 1.82 kΩ C11 = 100 pF
R8	Pull down for the PWDN pin.	R8 = 10 kΩ
R9	Link to the PWDN pin.	R9 = 0 Ω
C3, R5, C14, L1	RF input. C3 provides a dc block for RF input. R5 provides a resistive input termination. C14 and L1 are provided for reactive matching of the input.	C3 = 1000 pF R5 = 100 Ω C14 = Open L1 = 0 Ω
C1	RF common ac coupling. Provides a dc block for the RF input common connection.	C1 = 1000 pF
C8	LO input ac coupling. Provides a dc block for the LO input.	C8 = 1000 pF
C7	LO common ac coupling. Provides a dc block for the LO input common connection.	C7 = 1000 pF
W1	Power down. The device is on when the PWDN pin is connected to ground via a 10 kΩ resistor. The device is disabled when PWDN is connected to the positive supply (V _s) via W1.	
T1, R10, R11, R12, R15, R16, Z3, Z4, Z1, Z2,	IF output interface. T1 converts a differential high impedance IF output to single-ended. When loaded with 50 Ω, this balun presents a 100 Ω load to the mixers collectors. The center tap of the primary supplies the bias voltage (V _s) to the IF output pins.	T1 = TC2-1T, 2:1 (Mini-Circuits®) R12 = Open R10, R11, R15, R16 = 0 Ω Z3, Z4 = Open Z1, Z2 = Open

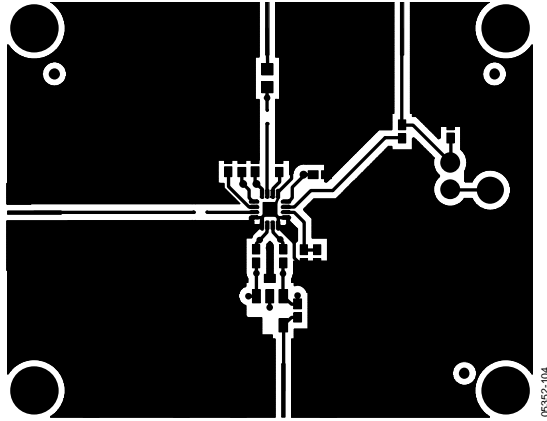


Figure 62. Evaluation Board Artwork Top

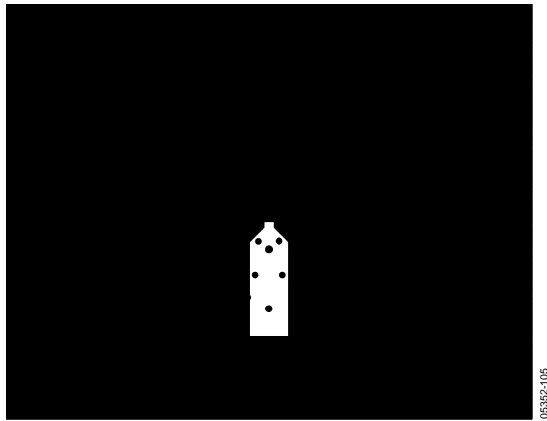


Figure 63. Evaluation Board Artwork Internal 1

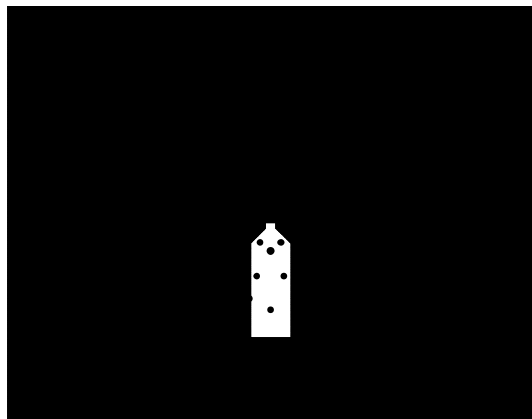


Figure 64. Evaluation Board Artwork Internal 2

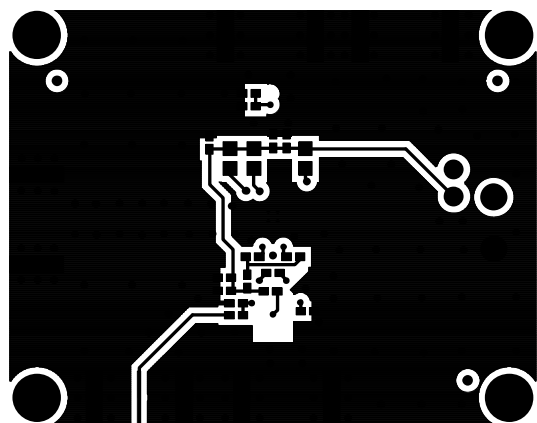
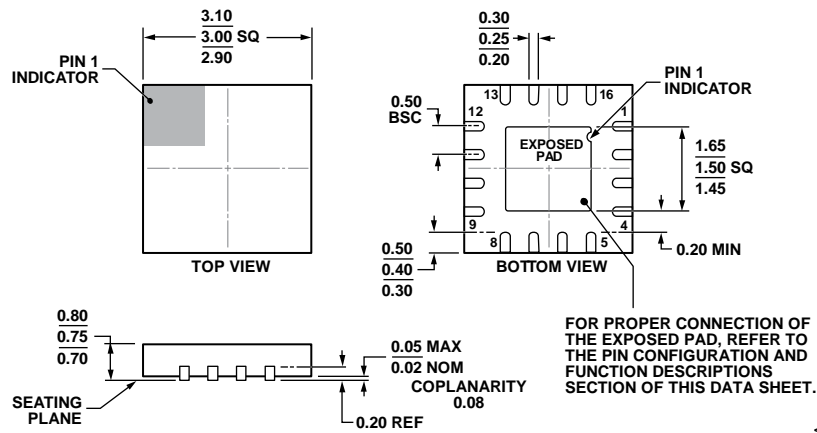


Figure 65. Evaluation Board Artwork Bottom

OUTLINE DIMENSIONS



COMPLIANT TO JEDEC STANDARDS MO-220-WEED-6.

Figure 66. 16-Lead Lead Frame Chip Scale Package [LFCSP_WQ]
 3 mm × 3 mm Body, Very Very Thin Quad
 (CP-16-27)
 Dimensions in millimeters

01-26-2012-A

ORDERING GUIDE

Model ¹	Temperature Range	Package Description	Package Option	Branding	Ordering Quantity
AD8342ACPZ-REEL7	-40°C to +85°C	16-Lead Lead Frame Chip Scale Package [LFCSP_WQ], Reel	CP-16-27	Q01	1,500
AD8342ACPZ-R2	-40°C to +85°C	16-Lead Lead Frame Chip Scale Package [LFCSP_WQ], Reel	CP-16-27	Q01	250
AD8342ACPZ-WP	-40°C to +85°C	16-Lead Lead Frame Chip Scale Package [LFCSP_WQ], Waffle Pack	CP-16-27	Q01	50
AD8342-EVALZ		Evaluation Board			1

¹ Z = RoHS Compliant Part.