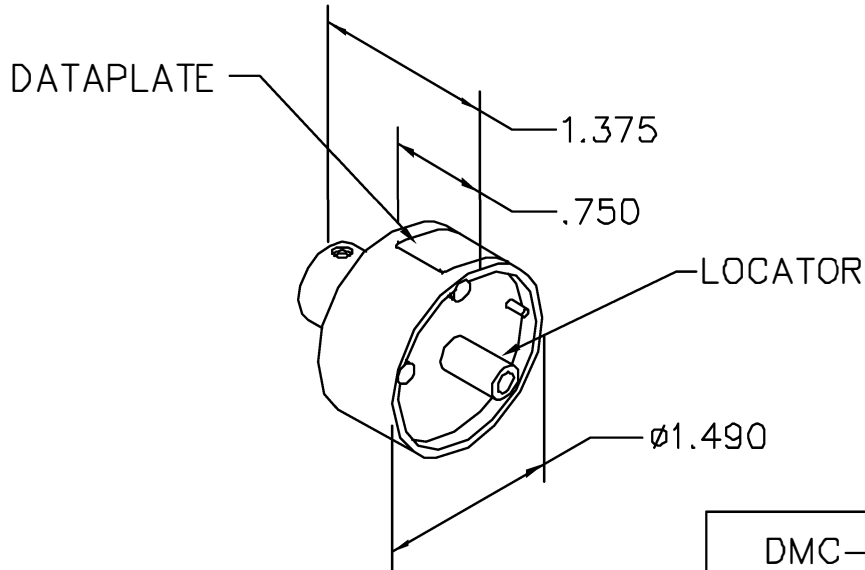


REVISIONS				
REV. SYM.	E.C.O. NUMBER	DESCRIPTION	BY DATE	APP'D DATE
1		ORIGINAL RELEASE	AAM 9-14-01	RRR 9-14-01

**UNCONTROLLED DOCUMENT
WILL NOT BE UPDATED**



DMC-USA CAGE 11851 GP295 HEAD ASSEMBLY M22520/4-02 USE WITH M22520/4-01 BASIC TOOL	M24308/14 & M24308/15 OUTER PIN & SOCKET -1 FOR RG/U196A & 178B -2 FOR RG/U174, 188A & RG/U316
--	--

DATAPLATE

LOCATOR	
HOLE DIMENSIONS	ADDITIONAL FEATURES
ϕ .116 ∇ .641 MIN.	\square ϕ .140 ∇ .013

RESTRICTED & CONFIDENTIAL

CONFIDENTIAL PROPERTY OF DANIELS MANUFACTURING CORP. NOT TO BE DISCLOSED TO OTHERS, REPRODUCED OR USED FOR ANY OTHER PURPOSE, EXCEPT AS AUTHORIZED IN WRITING BY DANIELS MANUFACTURING. MUST BE RETURNED TO DANIELS MANUFACTURING CORP. ON COMPLETION OF ORDER OR OTHER PURPOSE FOR WHICH LENT.

DO NOT SCALE DRAWING

DRN. A. MOO-YOUNG	DATE 9-14-01
CHK'D. RRR	DATE 9-14-01
APP'D.	DATE
APP'D.	DATE

DMC DANIELS MANUFACTURING CORP.
ORLANDO, FLORIDA
CAGE 11851

TITLE
**ENVELOPE DRAWING
SINGLE POSITION HEAD**

WHERE USED:

SIZE A	SCALE NTS	CAD P/N GP295-ENV	SHEET 1	OF 1
POSTING	P/N GP295-ENV	REV. 1		

Mouser Electronics

Authorized Distributor

Click to View Pricing, Inventory, Delivery & Lifecycle Information:

[Daniels Manufacturing:](#)

[M22520/4-02](#)