

SAFETY ORGANIZATION(S):

THIS FILTER HAS BEEN FORMALLY RECOGNIZED, CERTIFIED OR APPROVED BY THE LISTED AGENCY. THEREFORE, ALL TEST/REQUIREMENTS SPECIFIED IN THE LATEST REVISION OF THE FOLLOWING AGENCY STANDARDS HAVE BEEN MET.

- UL 544
- CSA 22.2, NO. 0, 0.4, B
- VDE 0565-3
- UL RECOGNIZED
- CSA CERTIFIED
- VDE APPROVED
- SEV APPROVAL PENDING

OPERATING SPECIFICATIONS:

- LINE VOLTAGE/CURRENT: 10 AMP., 120/250 VAC
- 8 AMP./40°C, 250 VAC
- 50-60Hz
- LINE FREQUENCY: 2µA @ 120V 60HZ
- MAX. LEAKAGE CURRENT, EACH LINE TO GROUND: 5µA @ 250V 50HZ
- OPERATING AMBIENT TEMP. RANGE: -10°C TO +40°C @ RATED CURRENT, I_r

IN AN AMBIENT, T_a, HIGHER THAN 40°C, THE MAXIMUM OPERATING CURRENT, I_o, IS AS FOLLOWS:

$$I_o = I_r \sqrt{\frac{85 - T_a}{45}}$$

RELIABILITY SPECIFICATIONS:

- STORAGE TEMPERATURE: -25°C TO +85°C
- HUMIDITY: 21 DAYS @ 40°C 95% RH
- CURRENT OVERLOAD TEST: 6 TIMES RATED CURRENT FOR 8 SECONDS

TEST SPECIFICATIONS:

- INDUCTANCE: L-9.5mH NOMINAL
- CAPACITANCE: N-9.57mH NOMINAL
- LINE TO LINE: 1.77µF ±20%
- DISCHARGE RESISTOR: 165KΩ
- LINE/GROUND AND LINE/LINE: 6000 MΩ (MIN) AT 100 VDC
- INSULATION RESISTANCE: 20°C AND 50% RH
- (W/O DISCHARGE RESISTOR)

RECOMMENDED RECEIVING INSPECTION HIPOT:

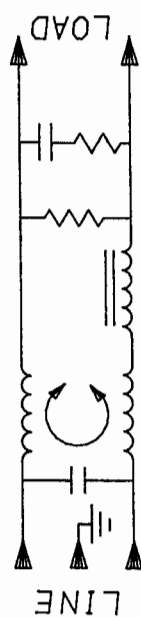
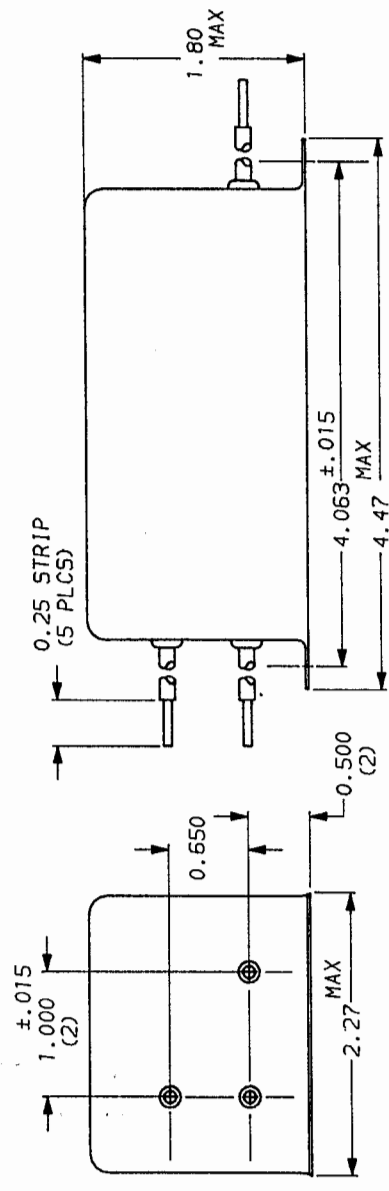
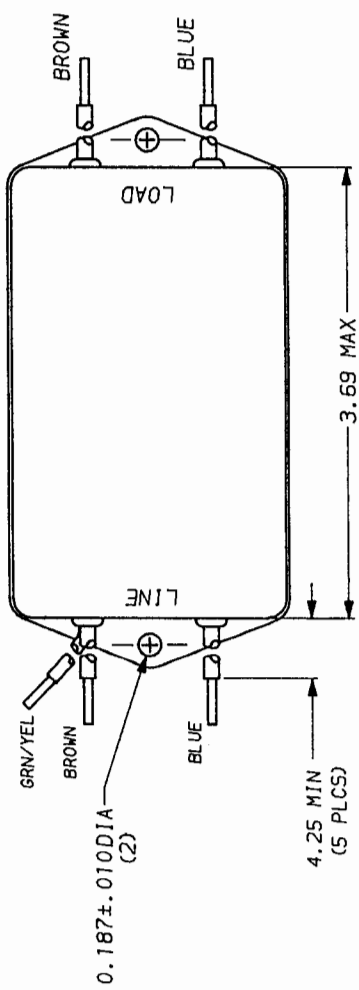
- 2250 VDC FOR 1 MINUTE
- 1450 VDC FOR 1 MINUTE
- LINE TO GROUND
- LINE TO LINE

FILTER APPROVAL:
 THE BEST WAY TO SELECT AND QUALIFY A FILTER IS FOR YOUR ENGINEERING TO TEST THE UNIT IN YOUR EQUIPMENT.

50n - 50n (MINIMUM) INSERTION LOSS

FREQUENCY MHz	.01	.02	.05	.15	.50	1	2	5	8	10	20	30
COMMON dB	9	15	24	36	42	34	22	11	14	12	8	8
DIFF. dB	7	8	17	52	70	70	65	55	40	35		

This document is proprietary to CORCOM INC. and is not to be reproduced nor used for manufacturing purposes except on CORCOM's order or prior written consent.



TOLERANCE EXCEPT AS NOTED
 DECIMAL: .XXX .XX .X ANGLES ± 1°
 ENGLISH: ± .025
 METRIC: ± .025
 MATERIAL: AS SUPPLIED

28 corcom
 LIBERTYVILLE, IL 60048
POWER LINE FILTER

FINISH:

SCALE	DATE	DRG. NO.	REV.
NTS	7-21-92		10EHT3.01
DRW. BY	CFW		