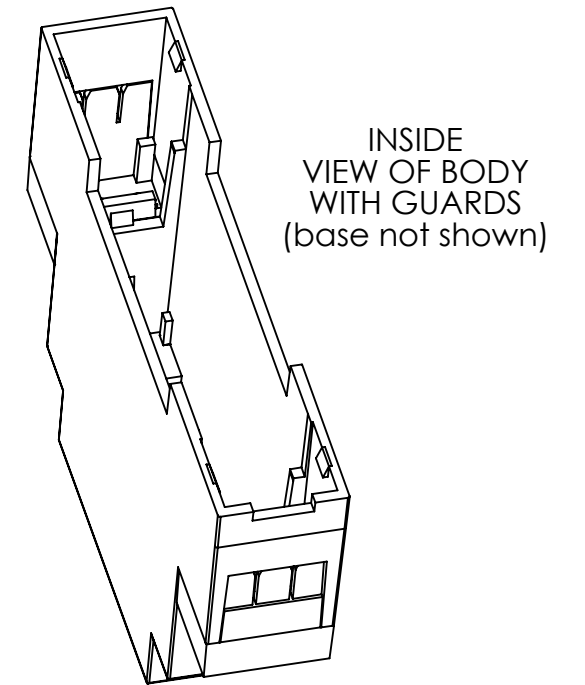
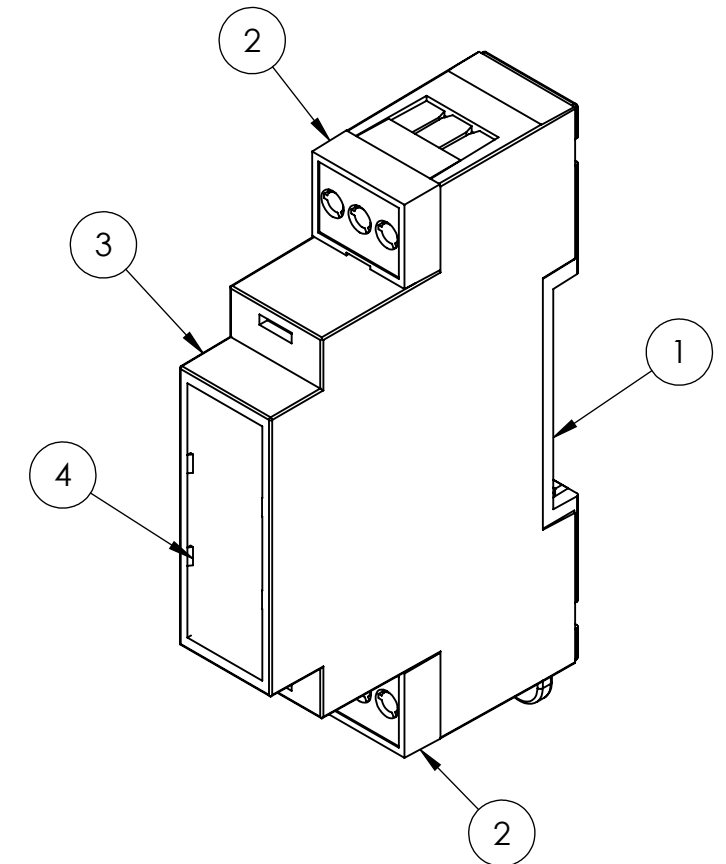
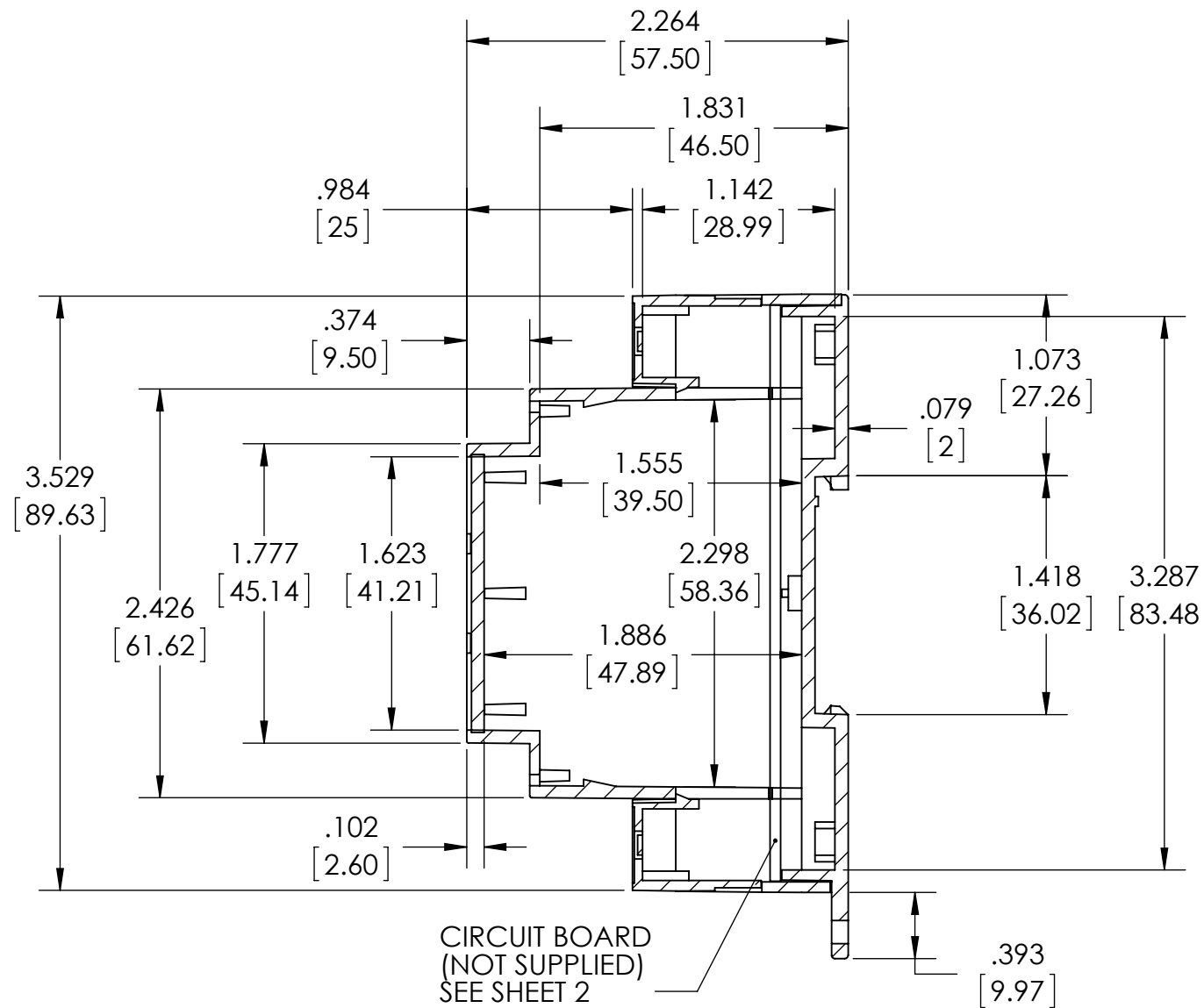
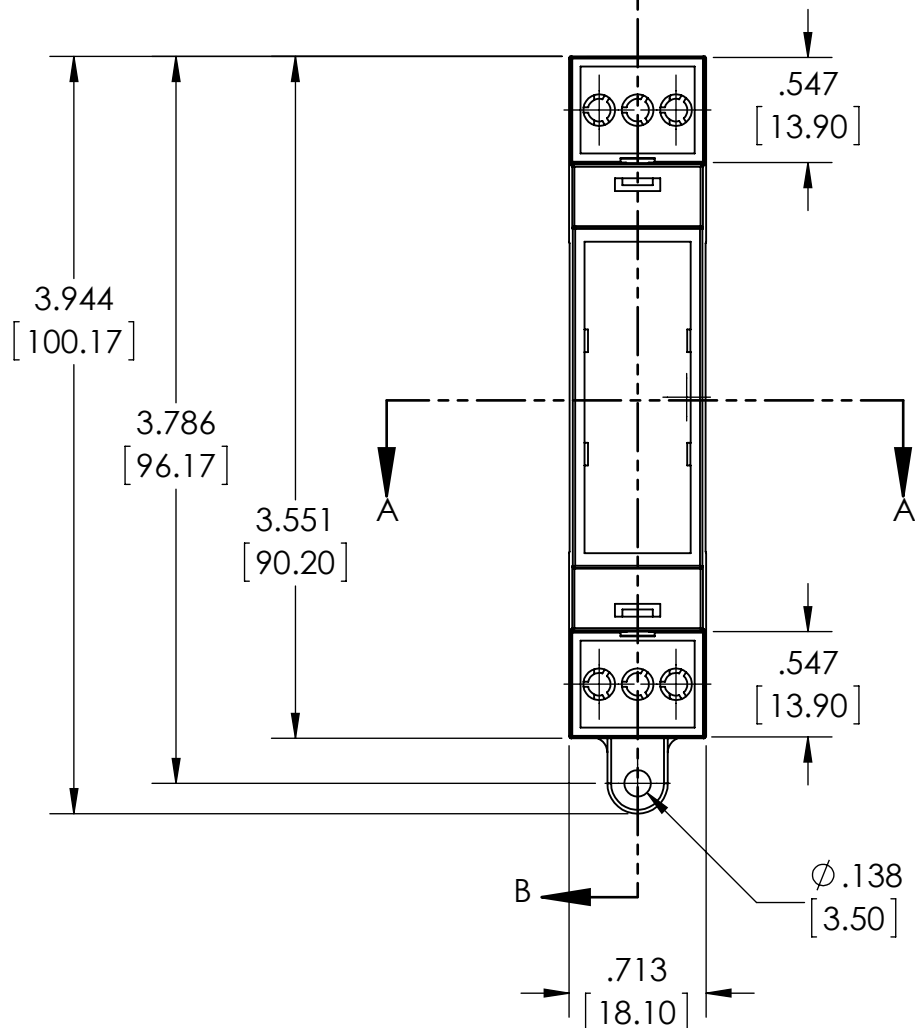
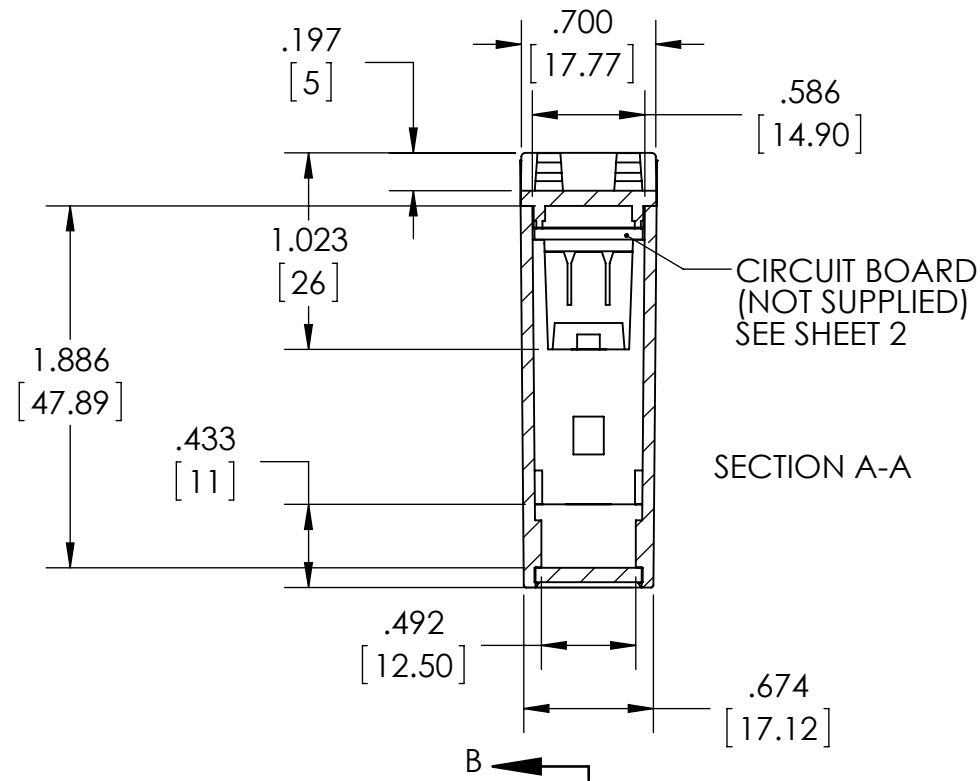


**OPTIONAL ACCESSORIES/REPLACEMENTS:**

- #DMB-4769-CC (CLEAR POLYCARBONATE COVER)
- #DMB-4769-IRC (RED TRANSPARENT POLYCARBONATE COVER)
- #DMB-4769-CB (CIRCUIT BOARD)



ITEM NO.	DESCRIPTION	MATERIAL	COLOR	QTY.
4	COVER	PC/ABS	GRAY	1
3	BODY	PC/ABS	GRAY	1
2	GUARD	PC/ABS	GRAY	2
1	BASE	PC/ABS	GRAY	1



# Mouser Electronics

Authorized Distributor

Click to View Pricing, Inventory, Delivery & Lifecycle Information:

## Bud Industries:

[DMB-4769](#) [DMB-4769-CB](#) [DMB-4769-CC](#) [DMB-4769-IRC](#) [DMB-4770-CB](#)