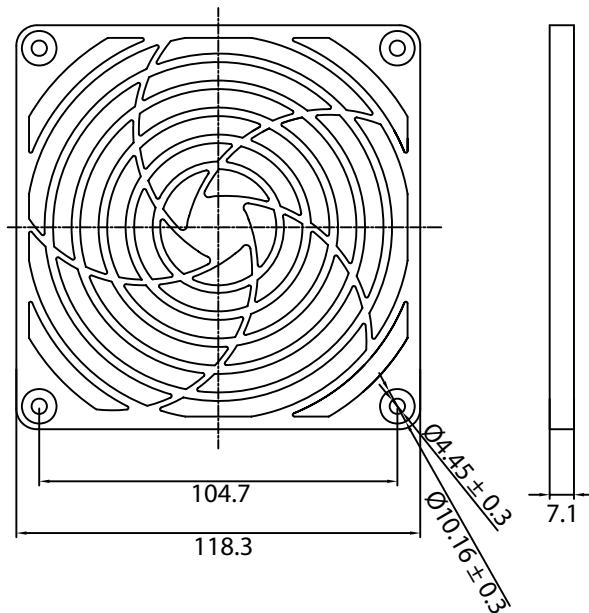


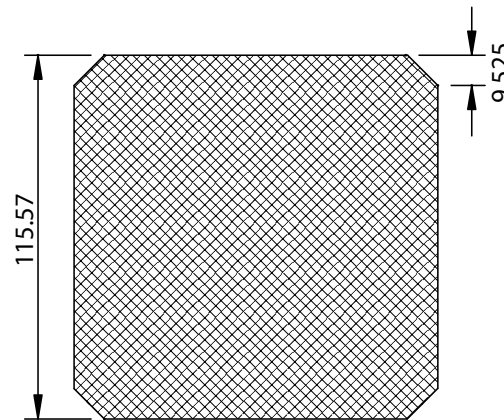
THESE DRAWINGS ARE THE PROPERTY OF QUALTEK ELECTRONICS AND NOT TO BE REPRODUCED FOR OR COMMUNICATED TO A THIRD PARTY WITHOUT THE EXPRESS WRITTEN PERMISSION OF AN OFFICER OF QUALTEK ELECTRONICS.

REVISION			
REV.	DESCRIPTION	DATE	APPROVED
B	RoHS Compliancy	06-01-06	DP
C	Updated Specifications	12-13-07	DP
D	Updated Notes	09-09-09	LY
E	Updated Graphics and Dimensions	05-21-10	LY

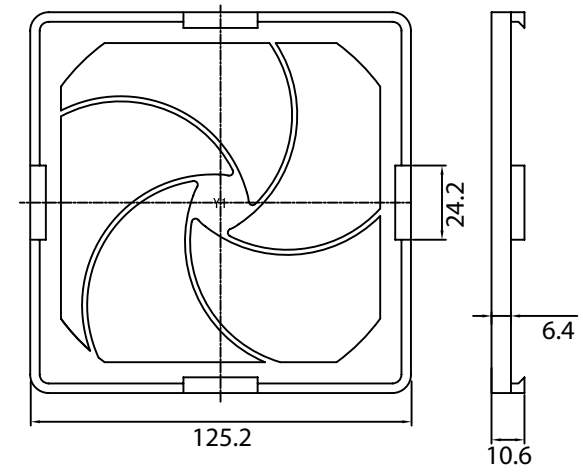
FAN GUARD



MEDIA



RETAINER



NOTES:

MEDIA\* AVAILABLE IN:  
 XX=30 PPI \*\*  
 45 PPI \*\*  
 60 PPI \*\*  
 100 PPI \*\*  
 \* UL 900 CLASS II  
 \*\* Pores Per Inch  
 RoHS COMPLIANT

**CONTROLLED**

Dim range (mm)	Tolerance +/- (mm)	Qualtek Electronics Corp. FAN-S DIVISION		
0-5	0.1	Part Number: 09450-F/XX		RoHS Compliant
5-16	0.15	Description: PLASTIC FAN FILTER ASSEMBLY		
16-64	0.2	UNIT: mm		REV: E
64-250	0.4	Checked / Date		Approved / Date
250-1000	0.5	B. ZHANG 10-10-03		JJH / 10-10-03
1000-1500	1.0			

# Mouser Electronics

Authorized Distributor

Click to View Pricing, Inventory, Delivery & Lifecycle Information:

[Qualtek:](#)

[09450-F/30](#) [09450-F/60](#) [09450-F/100](#) [09450F/45](#)