

**SUPPRESSOR FOR CONTACTORS**

RC, 230 VAC/DC, 15 VA/W

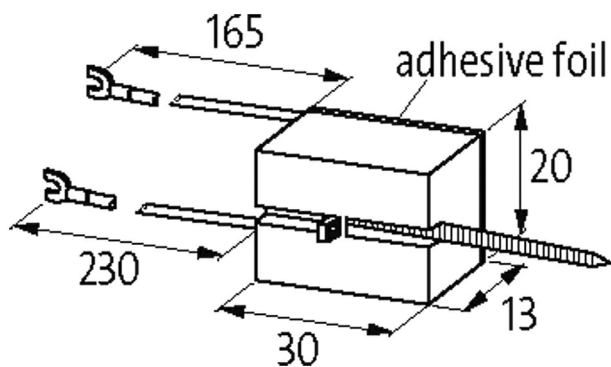
230 V AC/DC

RC

For other configurations and voltages, please inquire.

[Link to Product](#)**Illustration**

RC



Product may differ from Image

**Technical Data**

Input voltage	110...250 V AC/DC
Material	Flame retardant plastic acc. to (UL 94)
Damping factor	approx. 1.5× UN
Connection wires	self-securing cable forks
max. power (W)	15 W (VA)

**General data**

Temperature range	-20...+70 °C
Dimensions H×W×D	30×20×13 mm

**Appropriate contactors**

The information in this brochure has been compiled with the utmost care.  
Liability for the correctness completeness and topicality of the information is restricted to gross negligence. Version: 04/22

universal

Commercial data	
country of origin	CZ
customs tariff number	85363010
EAN	4048879020732
eClass	27371013
Packaging unit	1.000