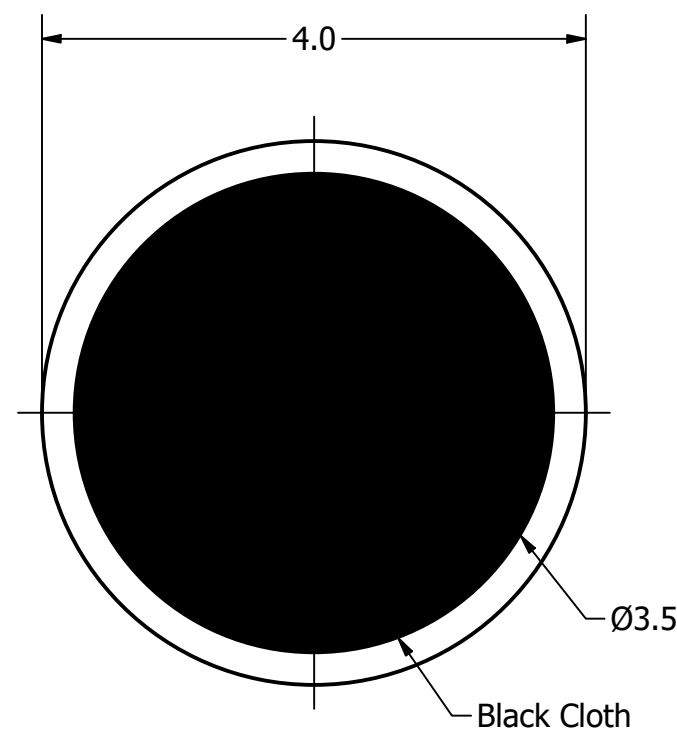
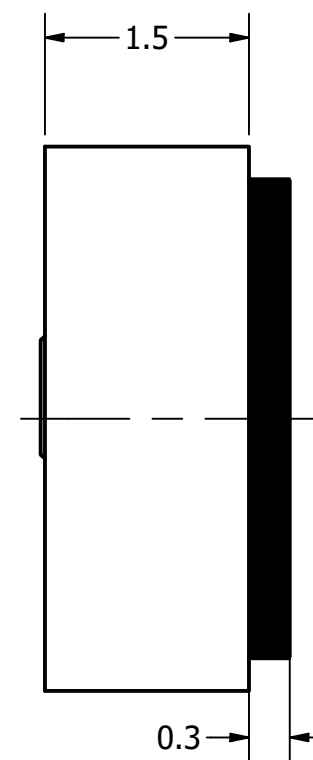


Part Number:	MN044402-1	
DESCRIPTION:	Electret Condenser Microphone	
DRAWN	CJ	4/25/2017
CHECKED		4/28/2017
P.D.		4/28/2017
APPROVED	C.E.	4/28/2017
This document contains data proprietary to DB Unlimited. Any use or reproduction, in any form, without prior written permission of DB Unlimited is prohibited. All terms and conditions can be found at www.dbunlimitedco.com		

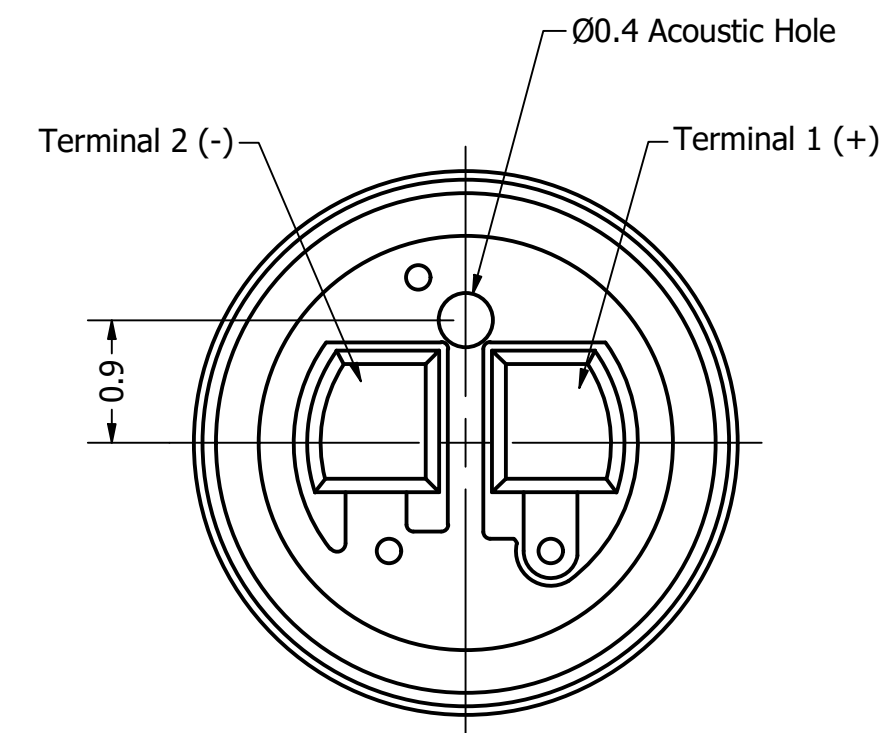
Top View



Side View



Bottom View



Items	Specifications	Conditions	REVISION HISTORY			
Directivity	Noise Cancelling		REV	DESCRIPTION	DATE	APPROVED
Sensitivity	-44 ± 4	dB	1	Released from Engineering	10/21/2013	J.S.
Frequency Range	40 ~ 20,000	Hz	2	Updated to new template	4/28/2017	C.E.
Rated Voltage	2	V		Updated description	6/1/2021	P.D.
Voltage Range	1.7 ~ 5	V	NOTES			
Output Impedance	2,200	Ω	1) All dimensions are in mm unless otherwise noted			
Max. Rated Current	0.45	mA	2) All tolerances are ± 0.1 mm unless otherwise noted			
Storage Temperature	-40 ~ +85	°C	3) All parts meet RoHS			
Operating Temperature	-40 ~ +85	°C	4) Subject to change or redrawn without notice			
Signal to Noise Ratio	>55	dB				
Mount Type	Flush Mount					
Connection Method	Solder Pads					

Mouser Electronics

Authorized Distributor

Click to View Pricing, Inventory, Delivery & Lifecycle Information:

[DB Unlimited:](#)

[MN044402-1](#)