

# Flush-type connector - SACC-DSI-M 8FS-3CON-L180 - 1694363

Please be informed that the data shown in this PDF Document is generated from our Online Catalog. Please find the complete data in the user's documentation. Our General Terms of Use for Downloads are valid (<http://phoenixcontact.com/download>)



Sensor/actuator flush-type connector, female, 3-pos., M8, rear/screw mounting with M12 thread, with straight solder connection

## Your advantages

- ✓ Easy PCB assembly: one-piece connectors for wave soldering
- ✓ Standard pin assignments and codings for signal transmission with a uniform design-in design
- ✓ For high transmission reliability: optional shield connection to the housing and latching on the PCB

RoHS

## Key Commercial Data

|              |               |
|--------------|---------------|
| Packing unit | 20 pc         |
| GTIN         |               |
| GTIN         | 4017918178666 |
| Sales Key    | 02            |

## Technical data

### Ambient conditions

|                                 |                  |
|---------------------------------|------------------|
| Ambient temperature (operation) | -40 °C ... 85 °C |
| Degree of protection            | IP67             |

### General

|                       |                              |
|-----------------------|------------------------------|
| Rated current at 40°C | 4 A                          |
| Rated voltage         | 48 V AC                      |
|                       | 60 V DC                      |
| Rated surge voltage   | 1.5 kV                       |
| Number of positions   | 3                            |
| Insulation resistance | ≥ 100 MΩ                     |
| Coding                | A - standard                 |
| Standards/regulations | M8 connector IEC 61076-2-104 |
| Status display        | No                           |

# Flush-type connector - SACC-DSI-M 8FS-3CON-L180 - 1694363

## Technical data

### General

|                      |                                     |
|----------------------|-------------------------------------|
| Overvoltage category | II                                  |
| Degree of pollution  | 3                                   |
| Connection method    | Solder pins                         |
| Torque               | 1 Nm ... 1.5 Nm (Installation-side) |
| Mounting type        | Rear mounting M12 x 1 With flat nut |

### Material

|  |                     |
|--|---------------------|
| Flammability rating according to UL 94 | HB                  |
| Contact material                       | CuSn                |
| Contact surface material               | Au                  |
| Contact carrier material               | PA 6.6              |
| Material, knurts                       | Nickel-plated brass |
| Sealing material                       | NBR                 |
| Additional material specifications     | EP (Grout material) |

### Cable

|                          |                              |
|--------------------------|------------------------------|
| Standards/specifications | M8 connector IEC 61076-2-104 |
|--------------------------|------------------------------|

### Standards and Regulations

|  |                              |
|--|------------------------------|
| Standards/specifications               | M8 connector IEC 61076-2-104 |
| Connection in acc. with standard       | CUL                          |
| Flammability rating according to UL 94 | HB                           |

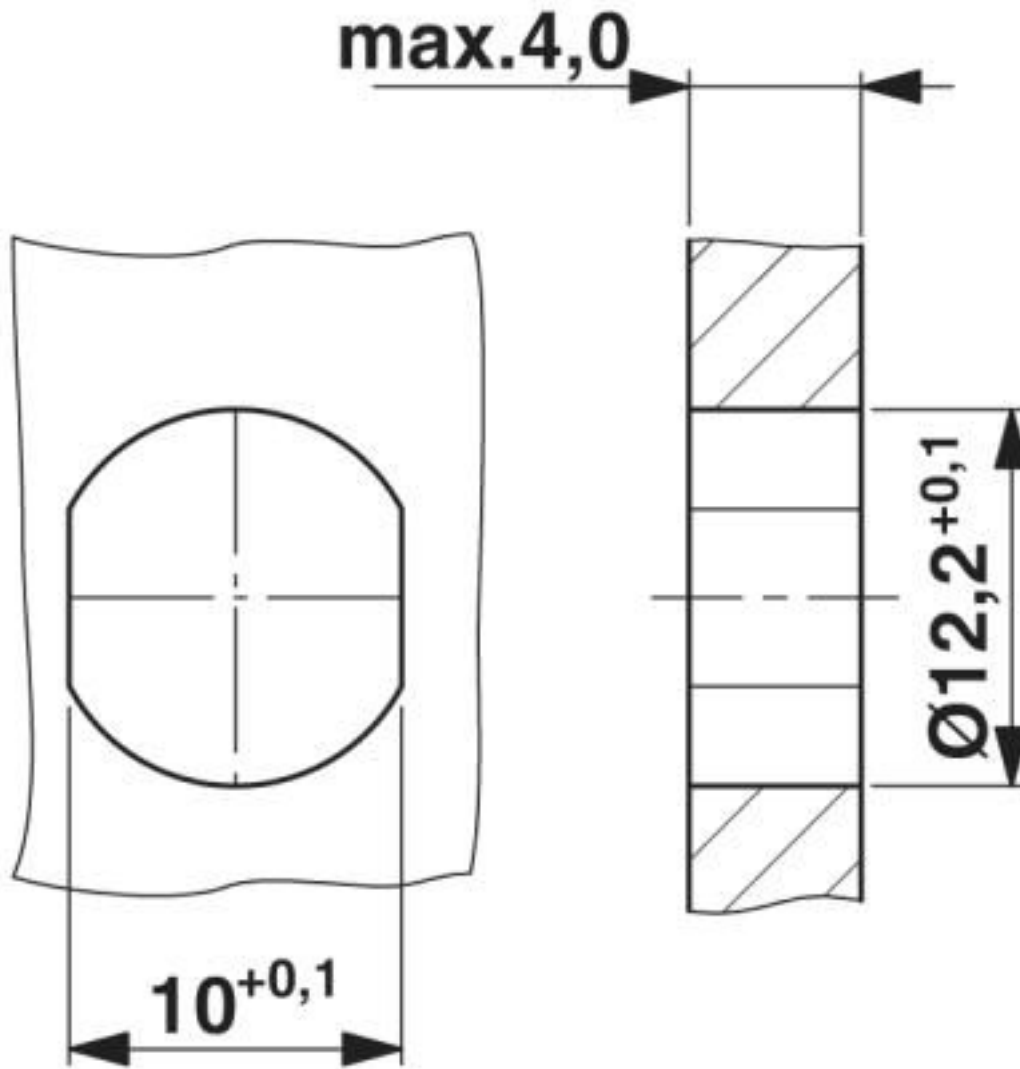
### Environmental Product Compliance

|            |   |
|------------|---|
| REACH SVHC | Lead 7439-92-1  |
| China RoHS | Environmentally Friendly Use Period = 25;   |
|            | For details about hazardous substances go to tab "Downloads", Category "Manufacturer's declaration" |

## Drawings

# Flush-type connector - SACC-DSI-M 8FS-3CON-L180 - 1694363

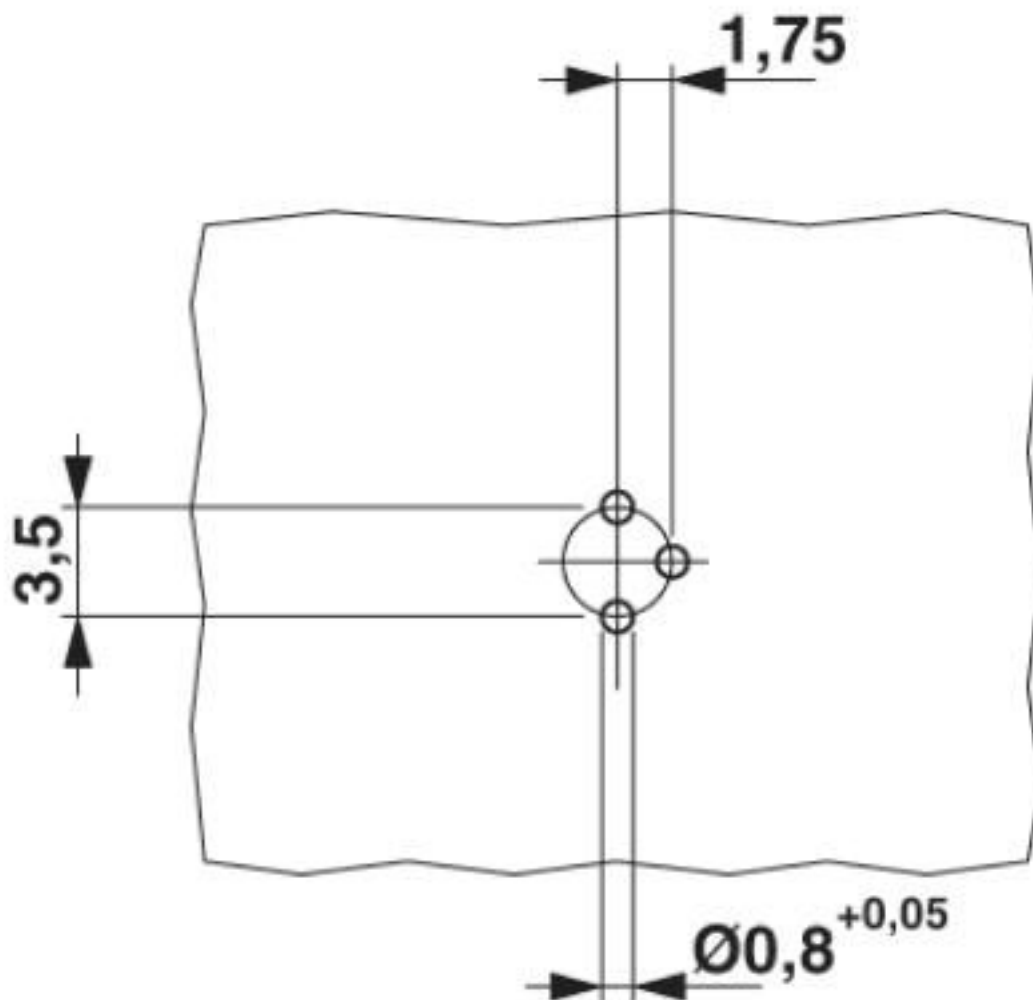
Dimensional drawing



Housing cutout for M8 flush-type connector, socket, one-section

# Flush-type connector - SACC-DSI-M 8FS-3CON-L180 - 1694363

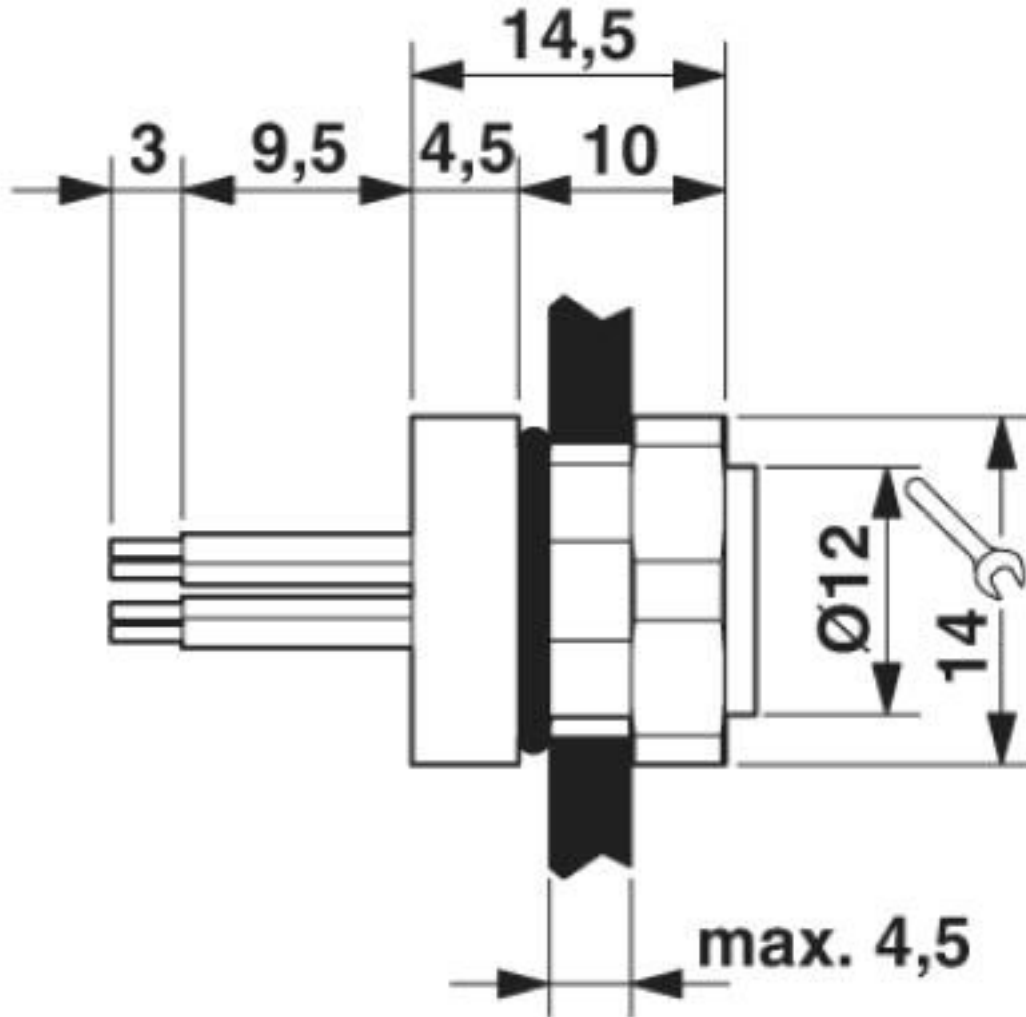
Drilling diagram



M8 flush-type socket

# Flush-type connector - SACC-DSI-M 8FS-3CON-L180 - 1694363

Dimensional drawing



M8 flush-type socket

# Flush-type connector - SACC-DSI-M 8FS-3CON-L180 - 1694363

Schematic diagram



Pin assignment M8 socket, 3-pos., view female side

## Classifications

eCl@ss

|               |          |
|---------------|----------|
| eCl@ss 10.0.1 | 27440102 |
| eCl@ss 4.0    | 27140800 |
| eCl@ss 4.1    | 27140800 |
| eCl@ss 5.0    | 27143400 |
| eCl@ss 5.1    | 27143400 |
| eCl@ss 6.0    | 27279200 |
| eCl@ss 7.0    | 27440103 |
| eCl@ss 8.0    | 27440103 |
| eCl@ss 9.0    | 27440102 |

# Flush-type connector - SACC-DSI-M 8FS-3CON-L180 - 1694363

## Classifications

### ETIM

|          |          |
|----------|----------|
| ETIM 2.0 | EC001297 |
| ETIM 3.0 | EC002061 |
| ETIM 4.0 | EC002062 |
| ETIM 5.0 | EC002061 |
| ETIM 6.0 | EC002061 |

### UNSPSC

|               |          |
|---------------|----------|
| UNSPSC 6.01   | 31251501 |
| UNSPSC 7.0901 | 31251501 |
| UNSPSC 11     | 31251501 |
| UNSPSC 12.01  | 31251501 |
| UNSPSC 13.2   | 39121413 |
| UNSPSC 18.0   | 39121413 |
| UNSPSC 19.0   | 39121413 |
| UNSPSC 20.0   | 39121413 |
| UNSPSC 21.0   | 39121413 |

## Approvals


### Approvals


#### Approvals

UL Recognized / cUL Recognized / EAC / cULus Recognized

#### Ex Approvals

### Approval details


|                    |   |   |               |
|--------------------|---|---|---------------|
| UL Recognized      |  | <a href="http://database.ul.com/cgi-bin/XYV/template/LISEXT/1FRAME/index.htm">http://database.ul.com/cgi-bin/XYV/template/LISEXT/1FRAME/index.htm</a> | FILE E 221474 |
| Nominal voltage UN | 30 V  |   |               |
| Nominal current IN | 4 A   |   |               |


|                    |   |   |               |
|--------------------|---|---|---------------|
| cUL Recognized     |  | <a href="http://database.ul.com/cgi-bin/XYV/template/LISEXT/1FRAME/index.htm">http://database.ul.com/cgi-bin/XYV/template/LISEXT/1FRAME/index.htm</a> | FILE E 221474 |
| Nominal voltage UN | 30 V  |   |               |

## Flush-type connector - SACC-DSI-M 8FS-3CON-L180 - 1694363

### Approvals

|                                |     |
|--------------------------------|-----|
| Nominal current I <sub>N</sub> | 4 A |
|--------------------------------|-----|

|     |   |         |
|-----|---|---------|
| EAC |  | B.01687 |
|-----|---|---------|

|                  |   |
|------------------|---|
| cULus Recognized |  |
|------------------|---|

Phoenix Contact 2020 © - all rights reserved  
<http://www.phoenixcontact.com>

PHOENIX CONTACT GmbH & Co. KG  
Flachsmarktstr. 8  
32825 Blomberg  
Germany  
Tel. +49 5235 300  
Fax +49 5235 3 41200  
<http://www.phoenixcontact.com>



# Mouser Electronics

Authorized Distributor

Click to View Pricing, Inventory, Delivery & Lifecycle Information:

[Phoenix Contact:](#)

[1694363](#)