

Flush-type connector - SACC-DSI-M5MS-4CON-L180 - 1530634

Please be informed that the data shown in this PDF Document is generated from our Online Catalog. Please find the complete data in the user's documentation. Our General Terms of Use for Downloads are valid (<http://phoenixcontact.com/download>)



Sensor/actuator flush-type plug, 4-pos., M5, prewall/screw mounting, with straight solder connection

Your advantages

- Easy PCB assembly: one-piece connectors for wave soldering



Key Commercial Data

Packing unit	20 pc
GTIN	
GTIN	4046356024433

Technical data

Ambient conditions

Ambient temperature (operation)	-25 °C ... 85 °C
Degree of protection	IP67

General

Rated current at 40°C	1 A
Rated voltage	60 V
Number of positions	4
Insulation resistance	≥ 100 MΩ
Coding	A - standard
Standards/regulations	M5 connector IEC 61076-2-105
Status display	No
Overvoltage category	II
Degree of pollution	3
Test voltage	800 V
Connection method	Solder pins
Mounting type	Rear mounting M5 x 0.5 With locking nut

Flush-type connector - SACC-DSI-M5MS-4CON-L180 - 1530634

Technical data

Material

Flammability rating according to UL 94	HB
Contact material	CuZn
Contact surface material	Au
Contact carrier material	PA 6.6
Material, knurls	Nickel-plated brass
Sealing material	Viton

Cable

Standards/specifications	M5 connector IEC 61076-2-105
--------------------------	------------------------------

Standards and Regulations

Standards/specifications	M5 connector IEC 61076-2-105
Flammability rating according to UL 94	HB

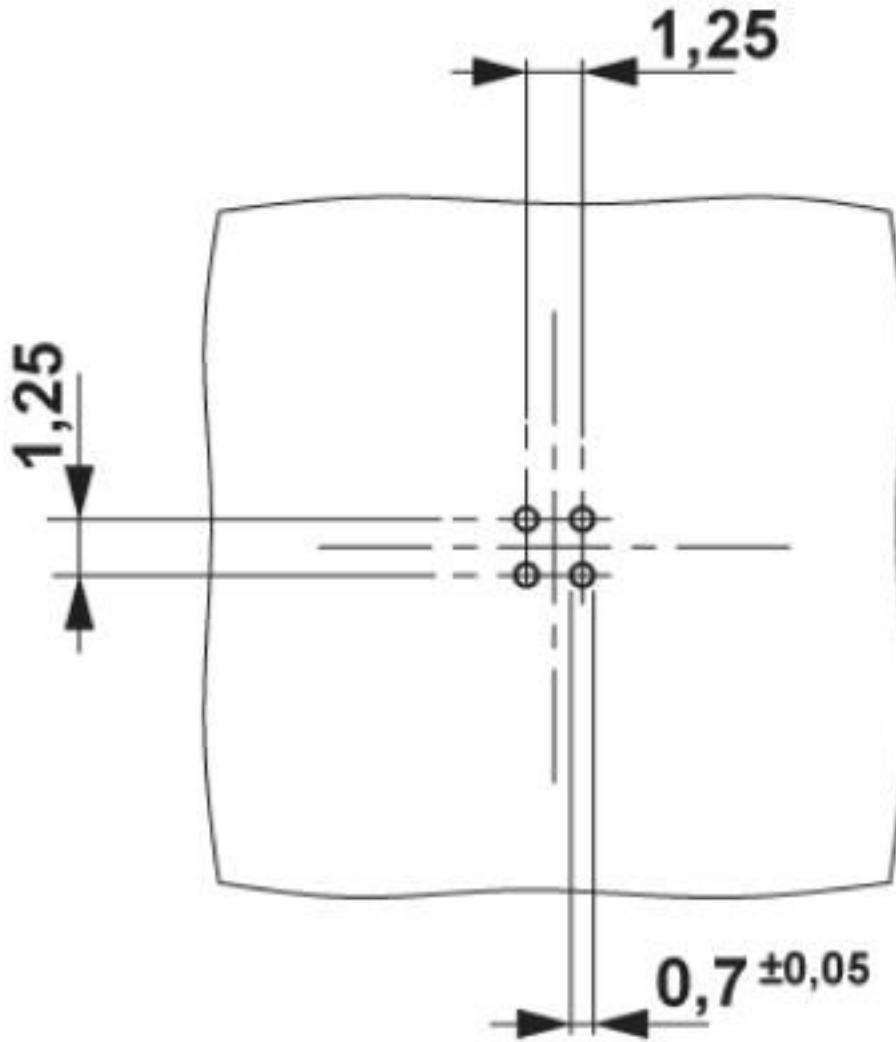
Environmental Product Compliance

REACH SVHC	Lead 7439-92-1
China RoHS	Environmentally Friendly Use Period = 25;
	For details about hazardous substances go to tab "Downloads", Category "Manufacturer's declaration"

Drawings

Flush-type connector - SACC-DSI-M5MS-4CON-L180 - 1530634

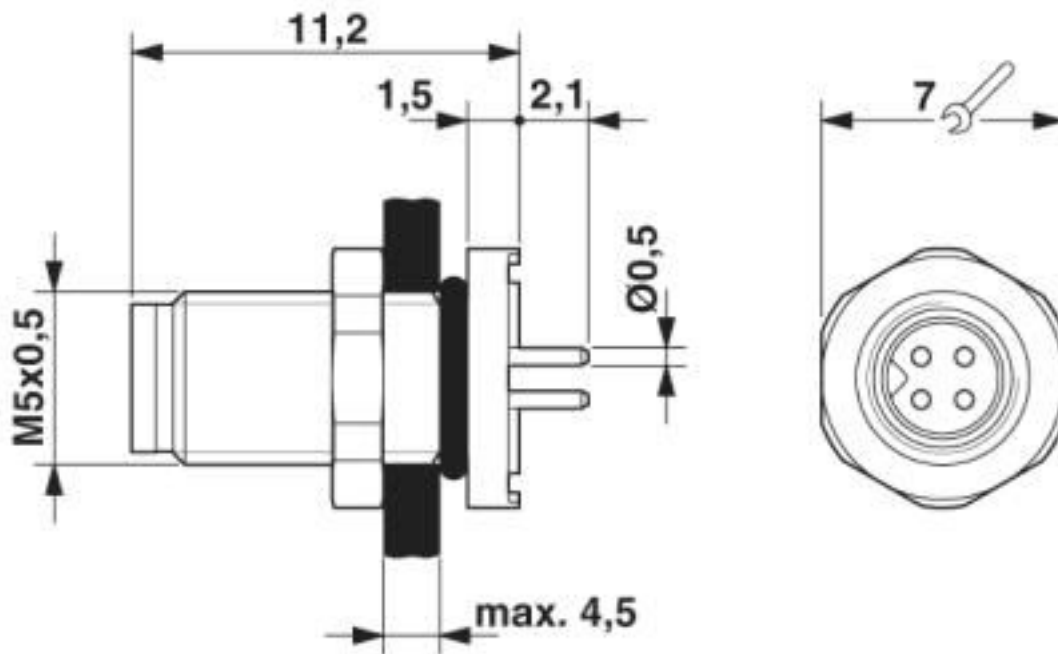
Drilling diagram



M5 flush-type plug

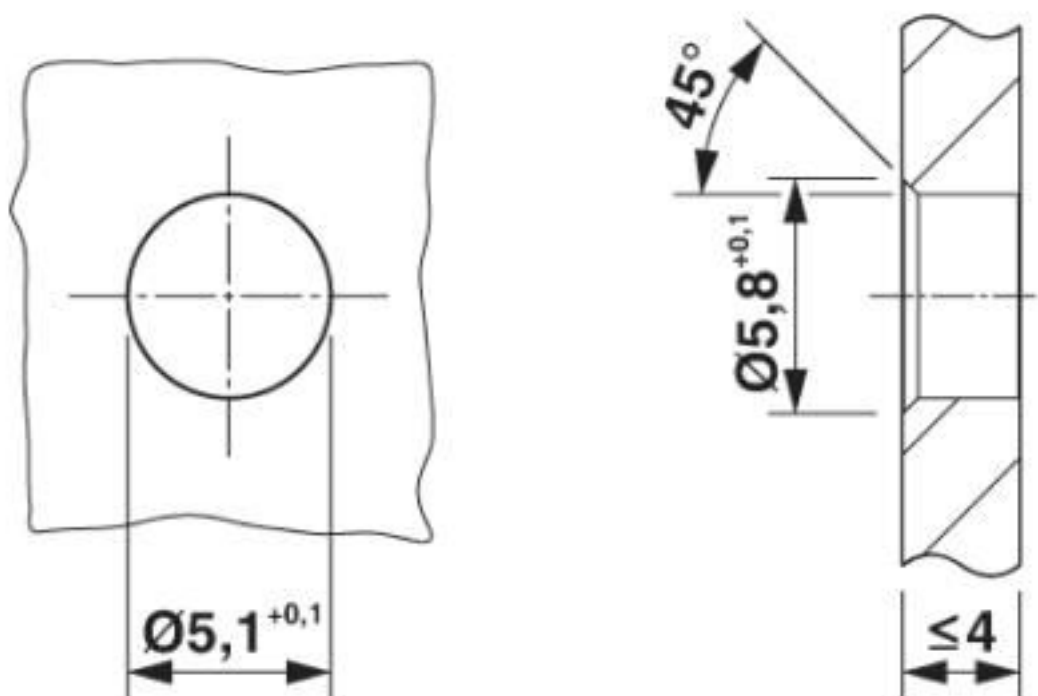
Flush-type connector - SACC-DSI-M5MS-4CON-L180 - 1530634

Dimensional drawing



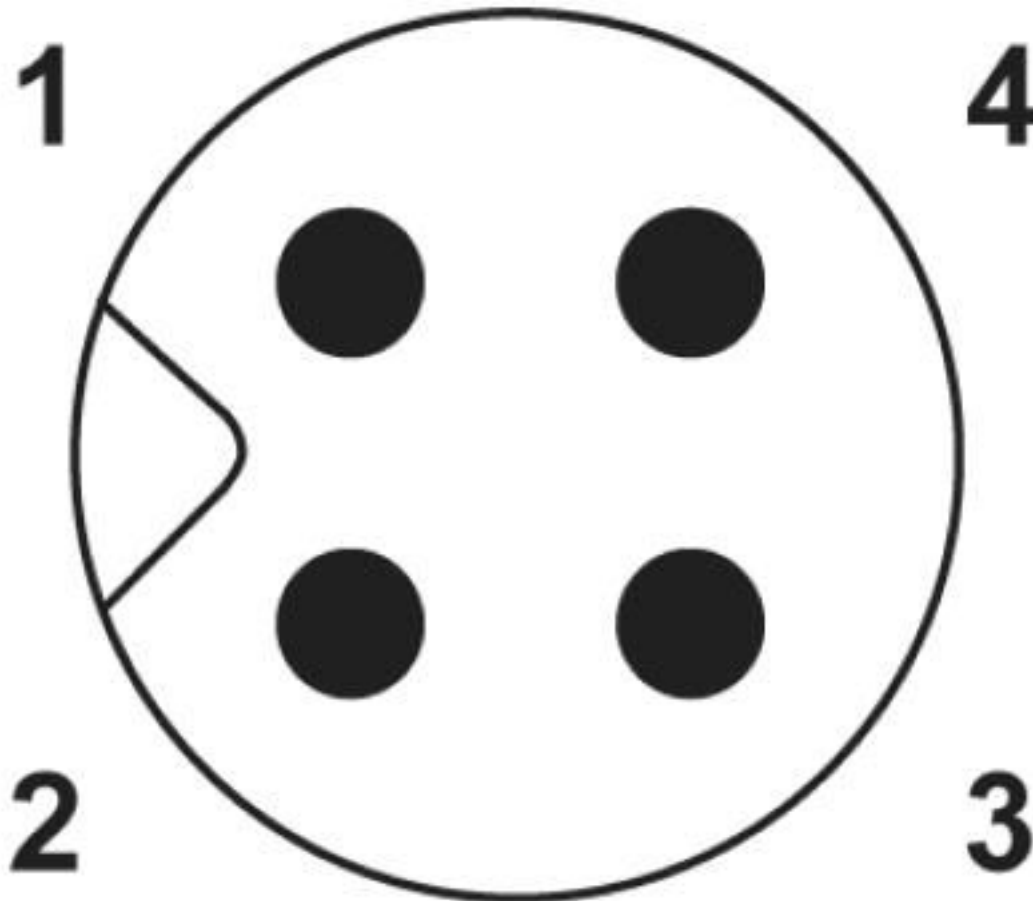
M5 flush-type plug

Dimensional drawing



Flush-type connector - SACC-DSI-M5MS-4CON-L180 - 1530634

Schematic diagram



Pin assignment M5 plug, 4-pos., view male side

Classifications

eCl@ss

eCl@ss 10.0.1	27440102
eCl@ss 4.0	27140800
eCl@ss 4.1	27140800
eCl@ss 5.0	27143400
eCl@ss 5.1	27143400
eCl@ss 6.0	27279200
eCl@ss 7.0	27440103
eCl@ss 8.0	27440103
eCl@ss 9.0	27440102

ETIM

ETIM 2.0	EC001297
----------	----------

Flush-type connector - SACC-DSI-M5MS-4CON-L180 - 1530634

Classifications

ETIM

ETIM 3.0	EC002061
ETIM 4.0	EC002062
ETIM 5.0	EC002061
ETIM 6.0	EC002061

UNSPSC

UNSPSC 6.01	31251501
UNSPSC 7.0901	31251501
UNSPSC 11	31251501
UNSPSC 12.01	31251501
UNSPSC 13.2	39121413
UNSPSC 18.0	39121413
UNSPSC 19.0	39121413
UNSPSC 20.0	39121413
UNSPSC 21.0	39121413

Approvals

Approvals

Approvals

EAC

Ex Approvals

Approval details

EAC		B.01687
-----	--	---------

Accessories

Accessories

Circular connectors (device side)

Flush-type connector - SACC-DSI-M5MS-4CON-L180 - 1530634

Accessories

Flat nut - SACC-E-MU-M 5 - 1535901



Flat nut with M5 thread

Phoenix Contact 2020 © - all rights reserved
<http://www.phoenixcontact.com>

PHOENIX CONTACT GmbH & Co. KG
Flachsmarktstr. 8
32825 Blomberg
Germany
Tel. +49 5235 300
Fax +49 5235 3 41200
<http://www.phoenixcontact.com>

Mouser Electronics

Authorized Distributor

Click to View Pricing, Inventory, Delivery & Lifecycle Information:

[Phoenix Contact:](#)

[1530634](#)