

- Olympian plug-in design
- Combines features of F15 Filters and R15 Regulators in one compact, integral unit
- Provides effective liquid removal and positive solid filtration
- Adjusting Knob has Snap-Action Lock
- Automatic Drain is operated by liquid level and also opens upon depressurisation

### Technical Data

Medium:

Compressed air only

Maximum Inlet Pressure:

16 bar

Operating Temperature:

-20°C\* to +80°C

\*Consult our Technical Service for use below +2°C

Filter Element:

Standard - 40 µm nominal

Optional - 5 µm and 25 µm

Recommended Regulated Pressures<sup>††</sup>:

0,4 - 8 bar standard

0 - 4 bar optional

2 - 16 bar optional (only available with T-bar adjusting screw)

<sup>††</sup>Can be adjusted to zero bar outlet pressure and, generally, to pressures in excess of those specified

Gauge Ports:

G<sup>1</sup>/<sub>8</sub>

Maximum Flow with 10 bar inlet pressure, 6,3 bar outlet pressure and pressure drop of 1 bar:

230 dm<sup>3</sup>/s

### Materials

Aluminium alloy bowl and body. Acetal resin adjusting knob as standard, steel T-bar adjusting screw optional. Synthetic rubber elastomeric materials. Sintered bronze filter element.

### Ordering Information

To order a standard Redimount Filter-Regulator, quote model number from tables overleaf.

For non-standard models substitute appropriate digits as instructed.

## Redimount Filter-Regulator

G<sup>3</sup>/<sub>4</sub> to G1<sup>1</sup>/<sub>2</sub>  
Olympian



### Port Sizes

G<sup>3</sup>/<sub>4</sub>, G1, G1<sup>1</sup>/<sub>4</sub>, G1<sup>1</sup>/<sub>2</sub> to ISO 1179

Accepts ISO 228 (BS 2779) parallel or ISO 7 (BS 21) taper connectors

### Alternative Models

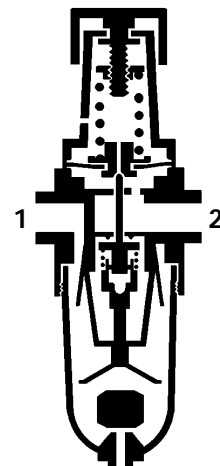
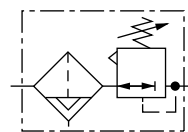
Manual Drain

Other port thread forms

T-bar adjusting screw

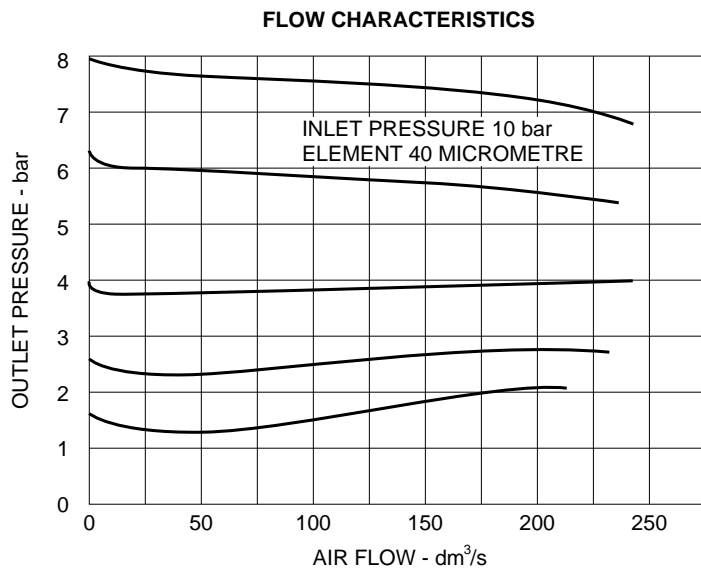
Maximum pressure setting stop

Key Lock adjusting knob





## Typical Performance Characteristics



## Standard Redimount Filter-Regulators

Automatic Drain, 40 µm element, 8 bar spring

Type	Port Size	Relieving	Weight kg	Non-relieving	Weight kg
Metal bowl	G <sup>3</sup> / <sub>4</sub>	<b>B15-696-F3LD</b>	3,16	<b>B15-698-F3LD</b>	3,16
	G1	<b>B15-896-F3LD</b>	3,12	<b>B15-898-F3LD</b>	3,12
	G1 <sup>1</sup> / <sub>4</sub>	<b>B15-A96-F3LD</b>	3,14	<b>B15-A98-F3LD</b>	3,14
	G1 <sup>1</sup> / <sub>2</sub>	<b>B15-B96-F3LD</b>	3,18	<b>B15-B98-F3LD</b>	3,18

Manual Drain, 40 µm element, 8 bar spring

Type	Port Size	Relieving	Weight kg	Non-relieving	Weight kg
Metal bowl	G <sup>3</sup> / <sub>4</sub>	<b>B15-696-B3LD</b>	3,01	<b>B15-698-B3LD</b>	3,01
	G1	<b>B15-896-B3LD</b>	2,95	<b>B15-898-B3LD</b>	2,95
	G1 <sup>1</sup> / <sub>4</sub>	<b>B15-A96-B3LD</b>	2,99	<b>B15-A98-B3LD</b>	2,99
	G1 <sup>1</sup> / <sub>2</sub>	<b>B15-B96-B3LD</b>	3,03	<b>B15-B98-B3LD</b>	3,03

## Non-standard Models

For replacement Filter-Regulators, substitute '0' and 'O' at the 4<sup>th</sup> and 10<sup>th</sup> digits respectively, e.g. B15-096-F3LO. Supplied without Unidaptors as replacement units or for the build-up of Combination Units. Please consult our Technical Service for further details.

For optional 5 µm or 25 µm elements, substitute '1' or '2' respectively for '3' at the 8<sup>th</sup> digit, e.g. B15-696-F1LD.

For optional 4 or 16 bar springs, substitute 'F' or 'S' respectively for 'L' at the 9<sup>th</sup> digit, e.g. B15-696-F3FD. (16 bar spring only available with T-bar adjusting screw).

For optional T-bar adjusting screw, substitute 'A' for 'B' at the 1<sup>st</sup> digit, e.g. A15-696-F3LD.

Specify if unit is required complete with T15 Shut-Off Valve fitted upstream. For details of Shut-Off Valves, see page 8.11.021.01.

For other options, please consult our Technical Service.

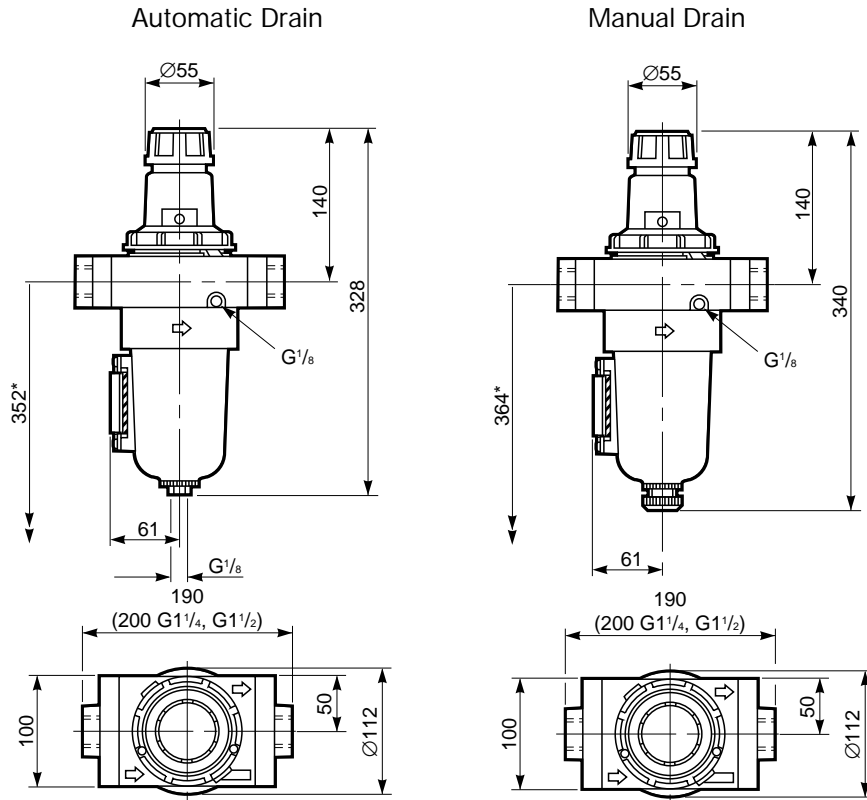
## Accessories

Wall Mounting Bracket Kit, see page 8.7.041.03.

Pressure Gauges, see page 8.11.031.01.



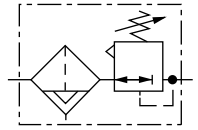
**Metal Bowl**



**Automatic Drain**

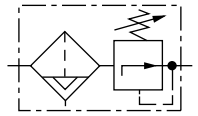
Relieving

- B15-696-F3LD G<sup>3</sup>/<sub>4</sub>
- B15-896-F3LD G1
- B15-A96-F3LD G1<sup>1</sup>/<sub>4</sub>
- B15-B96-F3LD G1<sup>1</sup>/<sub>2</sub>



Non-relieving

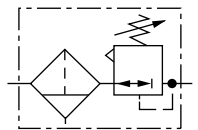
- B15-698-F3LD G<sup>3</sup>/<sub>4</sub>
- B15-898-F3LD G1
- B15-A98-F3LD G1<sup>1</sup>/<sub>4</sub>
- B15-B98-F3LD G1<sup>1</sup>/<sub>2</sub>



**Manual Drain**

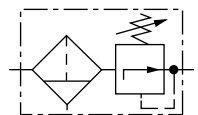
Relieving

- B15-696-B3LD G<sup>3</sup>/<sub>4</sub>
- B15-896-B3LD G1
- B15-A96-B3LD G1<sup>1</sup>/<sub>4</sub>
- B15-B96-B3LD G1<sup>1</sup>/<sub>2</sub>



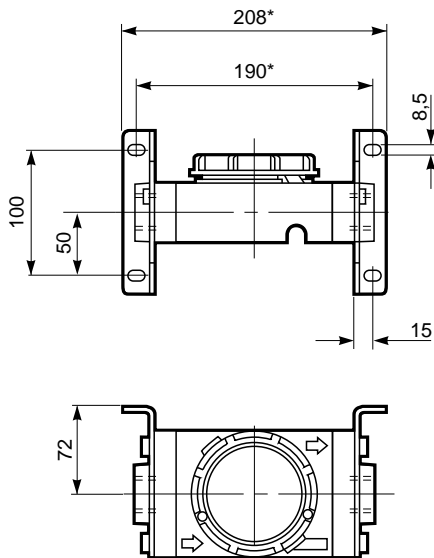
Non-relieving

- B15-698-B3LD G<sup>3</sup>/<sub>4</sub>
- B15-898-B3LD G1
- B15-A98-B3LD G1<sup>1</sup>/<sub>4</sub>
- B15-B98-B3LD G1<sup>1</sup>/<sub>2</sub>



\*Minimum clearance required to remove unit from yoke.

**Bracket Mounting**



**Bracket Kit reference:**

- G<sup>3</sup>/<sub>4</sub> 18-001-979
- G1 18-001-979
- G1<sup>1</sup>/<sub>4</sub> 18-001-978
- G1<sup>1</sup>/<sub>2</sub> N/A

\*If Shut-Off Valve fitted add 46 mm to dimensions.



## Spares Kits

Repair Kits include standard 40 µm element.  
For other elements please specify.

Type	Drain	Gasket Kit	Repair Kit
Relieving	Automatic	B15-GK	B15-100RA
	Manual	B15-GK	B15-100RM
Non-relieving	Automatic	B15-GK	B15-100NA
	Manual	B15-GK	B15-100NM

Repair Kit for Metal Bowl available, reference 3256-RK.

Automatic Drain Kit available, reference 3000-97. Can be used to convert Manual Drain models to Automatic Drain.

---

## Warning

These products are intended for use in industrial compressed air systems only. Do not use these products where *pressures* and *temperatures* can exceed those listed under **'Technical Data'**.

Before using these products with fluids other than those specified, for non-industrial applications, life-support systems, or other applications not within published specifications, consult NORGREN MARTONAIR.

Through misuse, age, or malfunction, components used in fluid power systems can fail in various modes. The system designer is warned to consider the failure modes of all component parts used in fluid power systems and to provide adequate safeguards to prevent personal injury or damage to equipment in the event of such failure.

**System designers must provide a warning to end users in the system instructional manual if protection against a failure mode cannot be adequately provided.**

System designers and end users are cautioned to review specific warnings found in instruction sheets packed and shipped with these products.